



Z5577 Dual Flush, Pressure Assist, Round Front, Two-Piece Toilet

Z5577 Series

- 1.6 gpf [6Lpf] or 1.0 gpf [4 Lpf] flow rate
- High efficiency toilet (HET) reduces potable water usage over 30%
- Vitreous china
- Pressure assisted tank
- High performance EcoFlush™ technology
- Easy touch handle actuation
- Ultra quiet flush
- Siphon jet flush action
- ADA height
- 2-1/8" fully glazed trapway
- Operating pressure range 20-125 psi
- Round front rim
- Chrome-plated handle
- Large water surface area
- Includes bolt caps
- Shipping Weight: 95 lbs.



Z5577 Series

Engineering Specification

- Z5577 Vitreous china, high efficiency dual flush 1.6 gpf [6 Lpf] or 1.0 gpf [4 Lpf], pressure assisted, round front, two piece toilet with 12" rough-in.

Suffix Options

- RH Vitreous china right-hand lever tank
 Please Note: 1.6 gpf and HET 1.0 gpf pressure assist tanks also available. See Models Z5575 and Z5576.

Recommended Trim

- Z5958SS-RD Round, white, closed front toilet seat with cover and stainless steel check hinge.
- Z5972-COMB Closet bolt/wax ring kit.
- Z8800-CR Standard stop with flexible closet riser.

Fixtures meet ASME A112.19.2 and CSA B45 standard requirements.

 Fixture dimensions meet ADA/ANSI A117.1 requirements when installed per code.

See Zurn One Systems for suggested packages.

Optional Trim

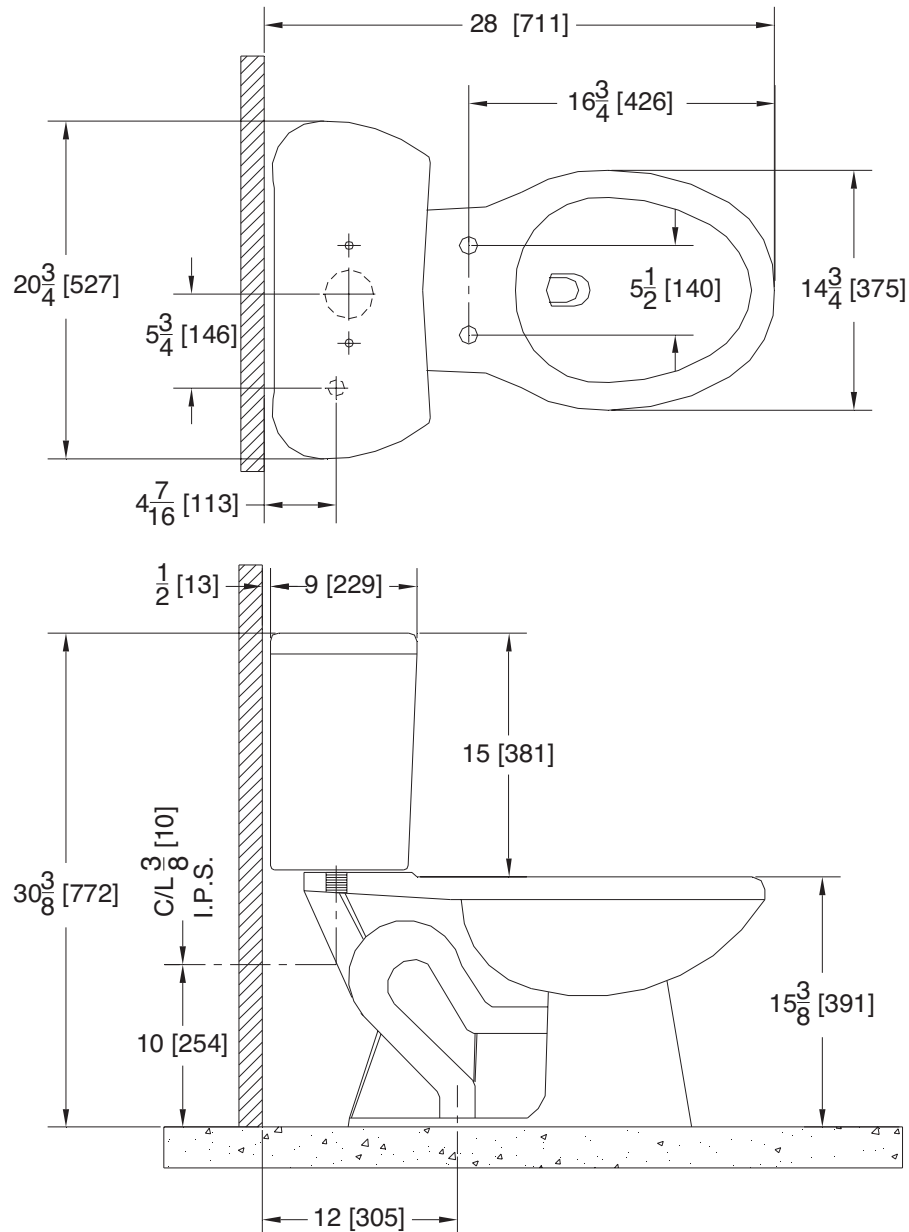
- Z5975-FLO-JR PVC Flo-Bowl Jr. closet flange kit.

ECO VANTAGE
 U.S. and Foreign Patents Pending

This Space is for Architectural/Engineering Approval



Rough-in dimensions for Z5577



These dimensions and specifications are subject to change without notice.

Fixture dimensions meet ANSI/ASME standard A112.19.2-2003 and CAN/CSA B45 requirements.

Conservation Warehouse International

PO Box 1376 • Easton, PA 18044 • Phone: 800-875-2955 Fax: 484-944-1590 • www.conservationwarehouse.com