



Z5572 Dual Flush 1.6/1.0 gpf, Pressure Assisted, Elongated Toilet

Z5572 EcoVantage™ Series



- Dual flush 1.6 gpf [6 Lpf] or 1.0 gpf [4 Lpf] flow rate
- High Efficiency Toilet (HET) reduces potable water usage 40%
- Vitreous china
- Pressure assist tank
- High performance EcoFlush™ technology
- Easy touch pneumatic handle actuation
- Ultra quiet flush
- Siphon jet flush action
- ADA height
- 2-1/8" fully glazed trapway
- Operating pressure range 15-125 psi
- Elongated front rim
- Chrome-plated handle
- Large water surface area
- Includes bolt caps
- Shipping Weight: 92 lbs.



Z5572 EcoVantage pressure assist two-piece toilet. Shown with Z5958SS-EL toilet seat (sold separately).

Engineering Specification

- Z5572 Vitreous china, high efficiency dual flush 1.6 gpf [6 Lpf] or 1.0 gpf [4 Lpf] pressure assisted, two-piece toilet with siphon jet bowl, elongated rim, and 12" rough-in.

Suffix Options

- RH Tank with right-hand actuator.
- Please Note: HET 1.0 gpf pressure assist tank also available. See Model Z5561.

Recommended Trim

- Z5958SS-EL Elongated, white, closed front toilet seat with cover and stainless steel check hinge.
- Z5972-COMB Closet bolt/wax ring kit.
- Z8800-CR Standard stop with flexible closet riser.

Fixtures meet ASME A112.19.2 and CSA B45 standard requirements.



Fixture dimensions meet ADA/ANSI A117.1 requirements when installed per code.

See Zurn One Systems for suggested packages.

Optional Trim

- Z5975-FLO-JR PVC Flo-Bowl Jr. closet flange kit.

ECO|VANTAGE™

U.S. and Foreign Patents Pending

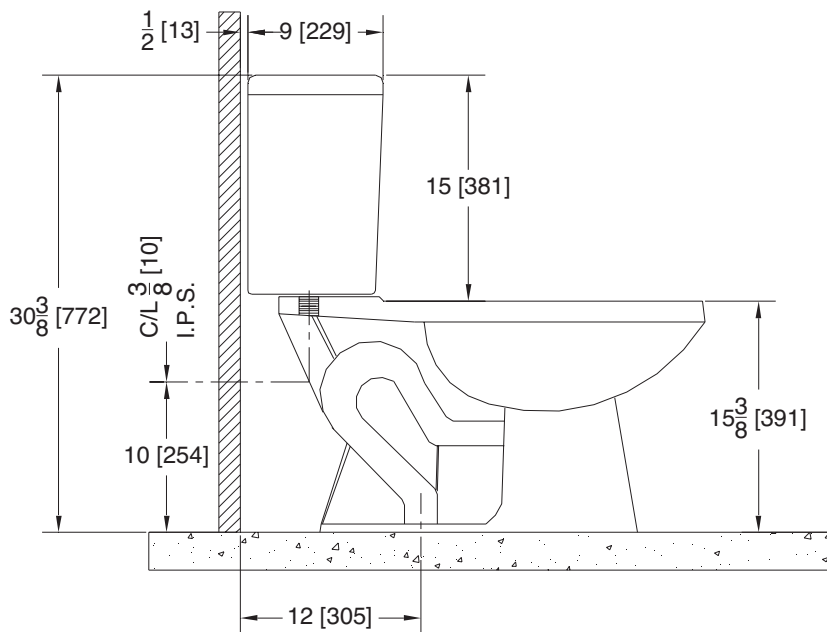
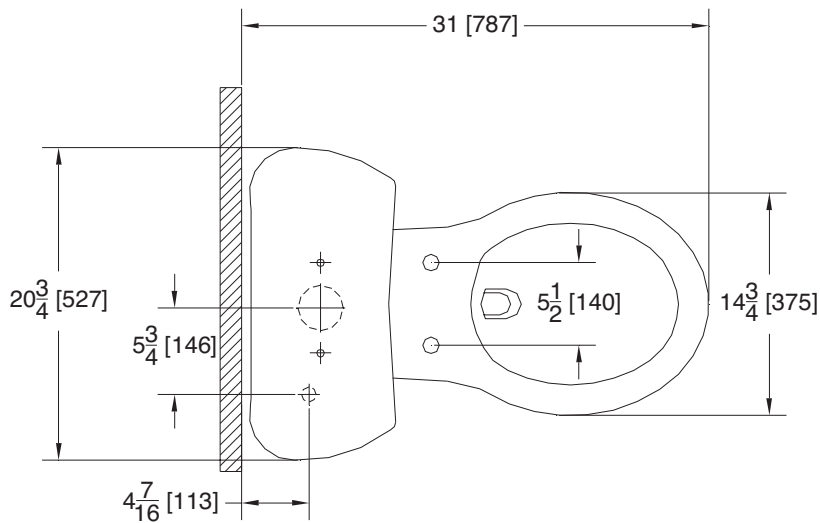
This Space is for Architectural/Engineering Approval



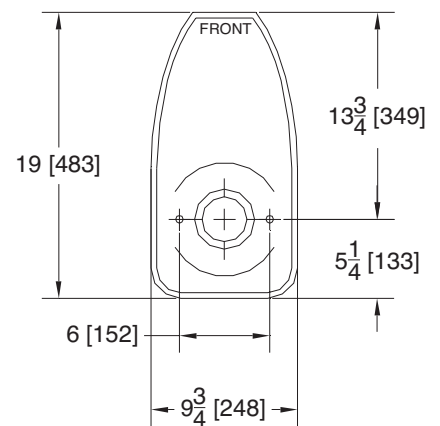
Conservation Warehouse International
PO Box 1376 • Easton, PA 18044
Phone: 800-875-2955 Fax: 484-944-1590
www.conservationwarehouse.com



Rough-in dimensions for Z5572



FOOTPRINT



These dimensions and specifications are subject to change without notice.

Fixture dimensions meet ANSI/ASME standard A112.19.2-2003 and CAN/CSA B45 requirements.

Conservation Warehouse International

PO Box 1376 • Easton, PA 18044 • Phone: 800-875-2955 Fax: 484-944-1590 • www.conservationwarehouse.com