



# Z5571

## 1.0 gpf HET, Elongated, Pressure Assist Two-Piece Toilet

### Z5571 EcoVantage™ Series

- 1.0 gpf [4 Lpf] (gallons per flush)
- High Efficiency Toilet (HET) reduces potable water usage 40%
- Vitreous china
- Pressure assist tank
- High performance EcoFlush™ technology
- Easy touch pneumatic handle actuation
- Ultra quiet flush
- Siphon jet flush action
- ADA height
- 2-1/8" fully glazed trapway
- Operating pressure range 15-125 psi
- Elongated front rim
- Chrome-plated handle
- Large water surface area
- Includes bolt caps
- Shipping Weight: 92 lbs.



Z5571 EcoVantage pressure assist two-piece toilet. Shown with Z5958SS-EL toilet seat (sold separately).

#### Engineering Specification

- Z5571 Vitreous china, high efficiency 1.0 gpf [4 Lpf] pressure assisted two-piece toilet, siphon jet bowl, elongated rim, and 12" rough-in.

#### Suffix Options

- RH Tank with right-hand actuator.
- Please Note: HET dual flush 1.6 gpf/1.0 gpf pressure assist tank also available. See Model Z5562.

#### Recommended Trim

- Z5958SS-EL Elongated, white, closed front toilet seat with cover and stainless steel check hinge.
- Z5972-COMB Closet bolt/wax ring kit.
- Z8800-CR Standard stop with flexible closet riser.

#### Optional Trim

- Z5975-FLO-JR PVC Flo-Bowl Jr. closet flange kit.

**ECO VANTAGE**  
 U.S. and Foreign Patents Pending

Fixtures meet ASME A112.19.2 and CSA B45 standard requirements.

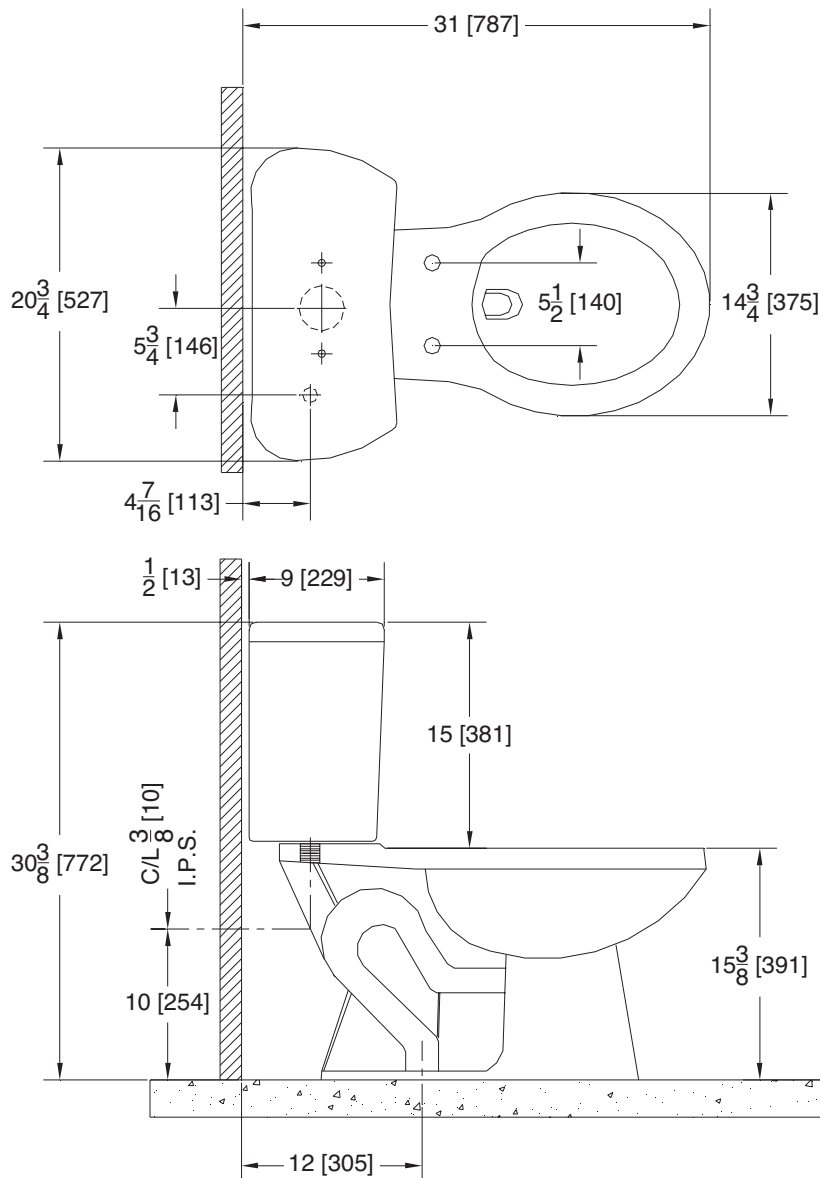
Fixture dimensions meet ADA/ANSI A117.1 requirements when installed per code.

See Zurn One Systems for suggested packages.

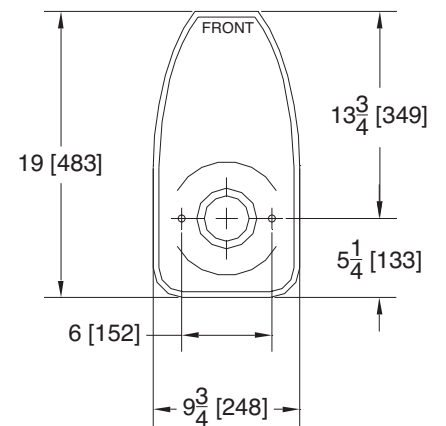
This Space is for Architectural/Engineering Approval



Rough-in dimensions for Z5571



FOOTPRINT



These dimensions and specifications are subject to change without notice.

Fixture dimensions meet ANSI/ASME standard A112.19.2-2003 and CAN/CSA B45 requirements.

**Conservation Warehouse International**

PO Box 1376 • Easton, PA 18044 • Phone: 800-875-2955 Fax: 484-944-1590 • www.conservationwarehouse.com