



# Z5570 1.6 gpf, ADA, Pressure Assist, Elongated, Two-Piece Toilet

## Z5570 Series

- 1.6 gpf (gallons per flush)
- Vitreous china
- Pressure assisted tank
- High performance EcoFlush™ technology
- Easy touch handle actuation
- Ultra quiet flush
- Siphon jet flush action
- ADA height
- 2-1/8" fully glazed trapway
- Operating pressure range 20-125 psi
- Elongated front rim
- Chrome-plated handle
- Large water surface area
- Includes bolt caps
- Shipping Weight: 95 lbs.



Z5560 EcoVantage™ pressure assist two-piece toilet. Shown with Z5958SS-EL toilet seat (sold separately).

### Engineering Specification

- Z5570 Vitreous china, 1.6 gpf/6 Lpf, high performance pressure assisted, elongated, two piece toilet with 12" rough-in.

### Suffix Options

- RH Vitreous china right-hand lever tank  
 Please Note: HET 1.0 gpf and HET dual flush 1.6 gpf/1.0 gpf pressure assist tanks also available. See Models Z5571 and Z5572.

### Optional Trim

- Z5975-FLO-JR PVC Flo-Bowl Jr. closet flange kit.

### Recommended Trim

- Z5958SS-EL Elongated, white, closed front toilet seat with cover and stainless steel check hinge.
- Z5972-COMB Closet bolt/wax ring kit.
- Z8800-CR Standard stop with flexible closet riser.

Fixtures meet ASME A112.19.2 and CSA B45 standard requirements.

- Fixture dimensions meet ADA/ANSI A117.1 requirements when installed per code.

See Zurn One Systems for suggested packages.

**ECO VANTAGE**  
 U.S. and Foreign Patents Pending

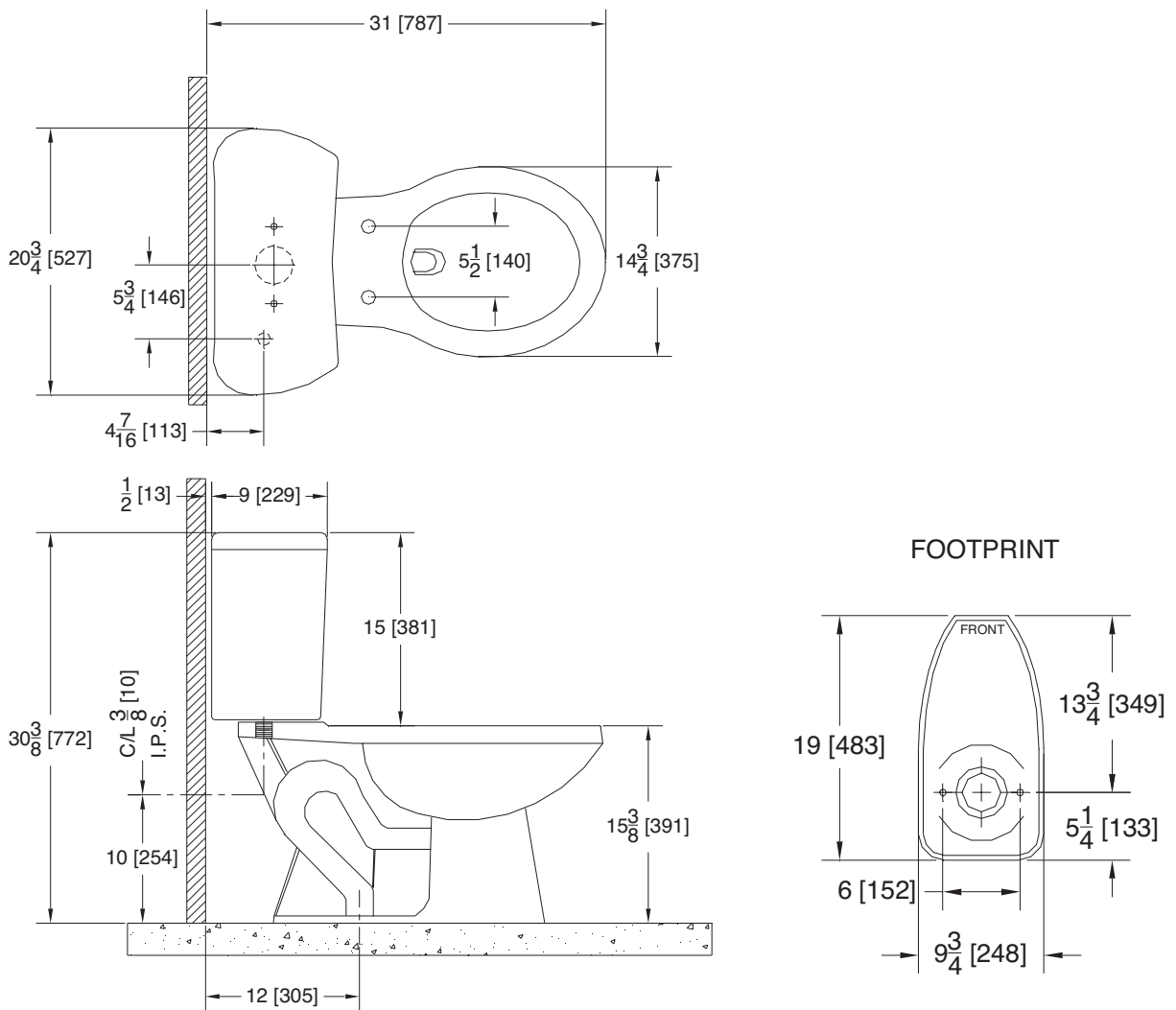
This Space is for Architectural/Engineering Approval



Conservation Warehouse International  
PO Box 1376 • Easton, PA 18044  
Phone: 800-875-2955 Fax: 484-944-1590  
www.conservationwarehouse.com



### Rough-in dimensions for Z5570



These dimensions and specifications are subject to change without notice.

Fixture dimensions meet ANSI/ASME standard A112.19.2-2003 and CAN/CSA B45 requirements.

### Conservation Warehouse International

PO Box 1376 • Easton, PA 18044 • Phone: 800-875-2955 Fax: 484-944-1590 • www.conservationwarehouse.com