



Z5561 Pressure Assisted, 1.0 gpf HET, ADA, Elongated Two-Piece Toilet

Z5561 EcoVantage™ Series



- 1.0 gpf [4 Lpf] (gallons per flush)
- High Efficiency Toilet (HET) reduces potable water usage 40%
- Vitreous china
- Pressure assist tank
- High performance EcoFlush™ technology
- Easy touch pneumatic handle actuation
- Ultra quiet flush
- Siphon jet flush action
- ADA height
- 2-1/8" fully glazed trapway
- Operating pressure range 15-125 psi
- Elongated front rim
- Chrome-plated handle
- Large water surface area
- Includes bolt caps
- Shipping Weight: 98 lbs.



Z5561 EcoVantage pressure assist two-piece toilet. Shown with Z5958SS-EL toilet seat (sold separately).

Engineering Specification

- Z5561 Vitreous china, high efficiency 1.0 gpf [4 Lpf], pressure assisted two-piece toilet, siphon jet bowl, elongated ADA height rim, and 12" rough-in.

Suffix Options

- RH Tank with right-hand actuator.
- Please Note: HET dual flush 1.6 gpf/1.0 gpf pressure assist tank also available. See Model Z5562.

Recommended Trim

- Z5958SS-EL Elongated, white, closed front toilet seat with cover and stainless steel check hinge.
- Z5972-COMB Closet bolt/wax ring kit.
- Z8800-CR Standard stop with flexible closet riser.

Fixtures meet ASME A112.19.2 and CSA B45 standard requirements.

Fixture dimensions meet ADA/ANSI A117.1 requirements when installed per code.

See Zurn One Systems for suggested packages.

Optional Trim

- Z5975-FLO-JR PVC Flo-Bowl Jr. closet flange kit.

ECO VANTAGE™

U.S. and Foreign Patents Pending

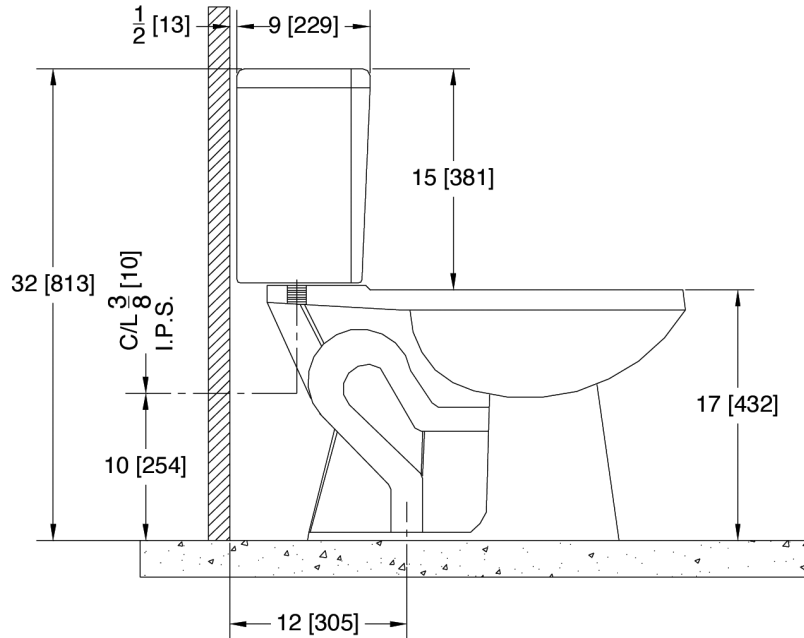
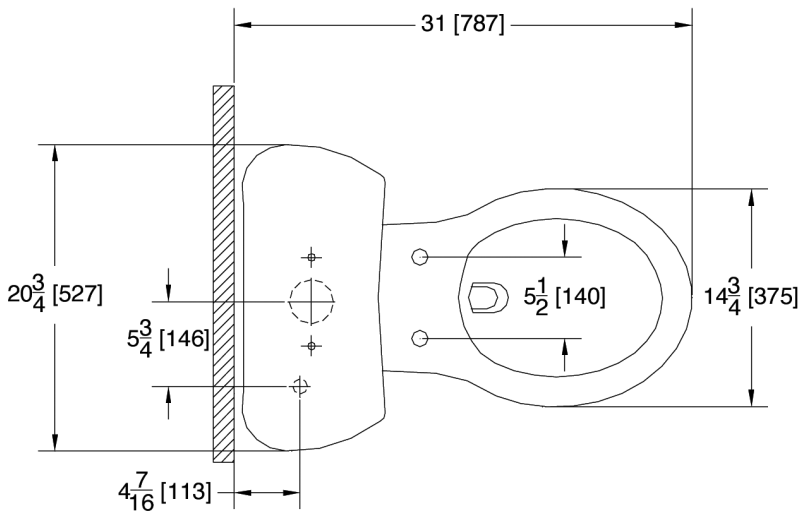
This Space is for Architectural/Engineering Approval



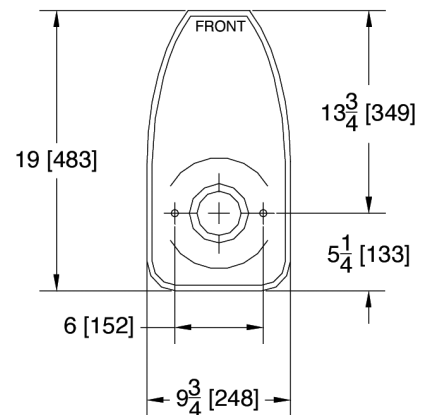
Conservation Warehouse International
PO Box 1376 • Easton, PA 18044
Phone: 800-875-2955 Fax: 484-944-1590
www.conservationwarehouse.com



Rough-in dimensions for Z5561



FOOTPRINT



These dimensions and specifications are subject to change without notice.

Fixture dimensions meet ANSI/ASME standard A112.19.2-2003 and CAN/CSA B45 requirements.

Meets the American Disabilities Act Guidelines and ANSI A117.1 requirements when installed so that the top of seat is 17"-19" from finished floor.



Conservation Warehouse International

PO Box 1376 • Easton, PA 18044 • Phone: 800-875-2955 Fax: 484-944-1590 • www.conservationwarehouse.com