



Z5560 1.6 gpf, ADA, Elongated, Pressure Assisted Two-Piece Toilet

Z5560 EcoVantage™ Series

- 1.6 gpf [6 Lpf]
- Vitreous china
- Pressure assist tank
- High performance EcoFlush™ technology
- Easy touch pneumatic handle actuation
- Ultra quiet flush
- Siphon jet flush action
- ADA height
- 2-1/8" fully glazed trapway
- Operating pressure range 15-125 psi
- Elongated front rim
- Chrome-plated handle
- Large water surface area
- Includes bolt caps
- Shipping Weight: 98 lbs.



Z5560 EcoVantage™ pressure assist two-piece toilet. Shown with Z5958SS-EL toilet seat (sold separately).

Engineering Specification

- Z5560** Vitreous china, two-piece toilet with 1.6 gpf [6 Lpf] pressure assisted tank, siphon jet bowl, elongated ADA height rim, and 12" rough-in.

Suffix Options

- RH** Tank with right-hand actuator.
Please Note: HET 1.0 gpf and HET dual flush 1.6 gpf/1.0 gpf pressure assist tanks also available. See Models Z5561 and Z5562.
- VL** Tank with vandal-proof locking lid.

Recommended Trim

- Z5958SS-EL** Elongated, white, closed front toilet seat with cover and stainless steel check hinge.
- Z5972-COMB** Closet bolt/wax ring kit.
- Z8800-CR** Standard stop with flexible closet riser.

Fixtures meet ASME A112.19.2 and CSA B45 standard requirements.

 Fixture dimensions meet ADA/ANSI A117.1 requirements when installed per code.

See Zurn One Systems for suggested packages.

Optional Trim

- Z5975-FLO-JR** PVC Flo-Bowl Jr. closet flange kit.

ECO|VANTAGE™

U.S. and Foreign Patents Pending

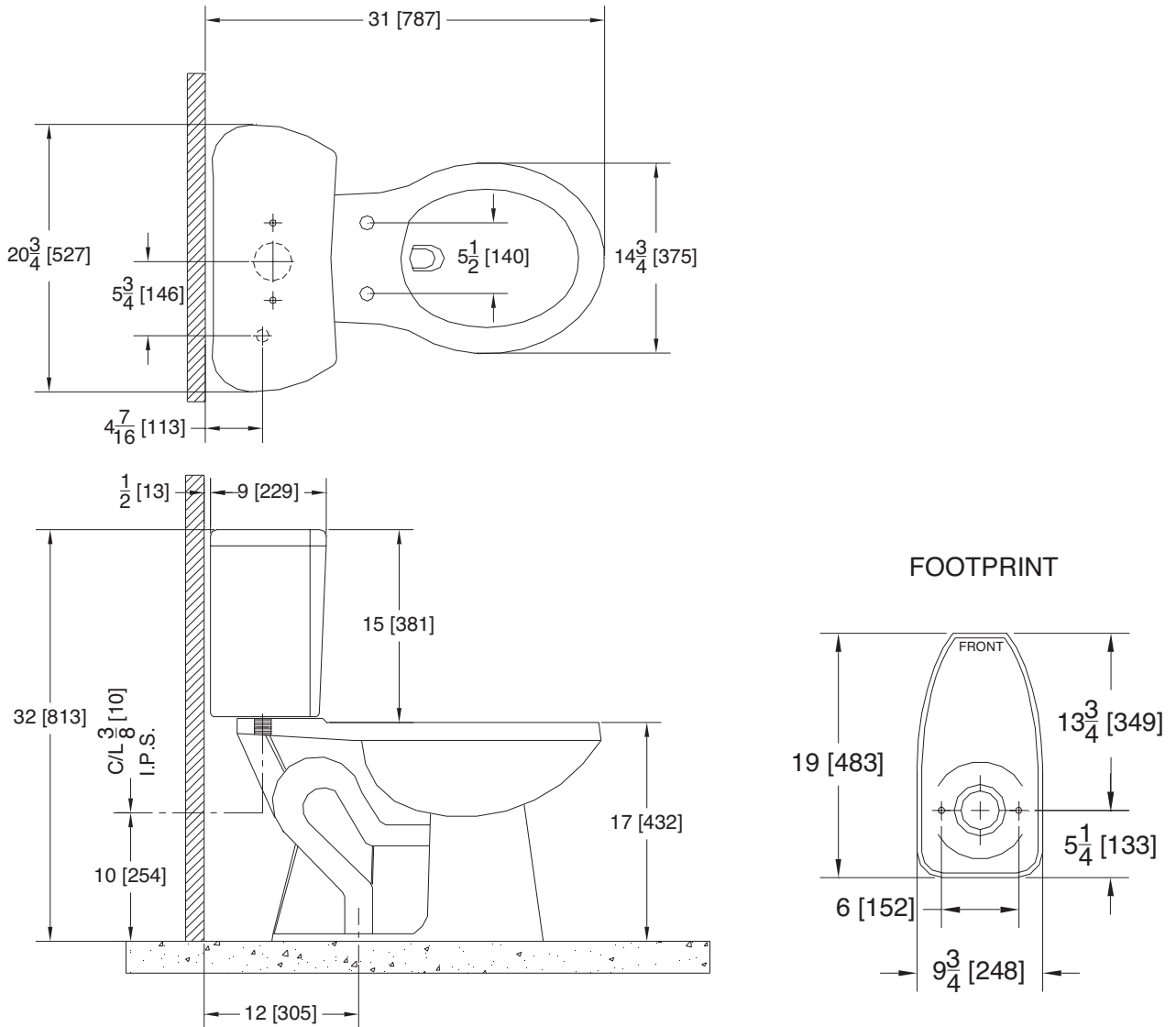
This Space is for Architectural/Engineering Approval



Conservation Warehouse International
 PO Box 1376 • Easton, PA 18044
 Phone: 800-875-2955 Fax: 484-944-1590
 www.conservationwarehouse.com



Rough-in dimensions for Z5560



These dimensions and specifications are subject to change without notice.

Fixture dimensions meet ANSI/ASME standard A112.19.2-2003 and CAN/CSA B45 requirements.

Meets the American Disabilities Act Guidelines and ANSI A117.1 requirements when installed so that the top of seat is 17"-19" from finished floor.



Conservation Warehouse International

PO Box 1376 • Easton, PA 18044 • Phone: 800-875-2955 Fax: 484-944-1590 • www.conservationwarehouse.com