

QUESTIONS? CALL MDISUPPLY.COM: 888.634.3667

The Original Manufactured Door Scope Brand Product

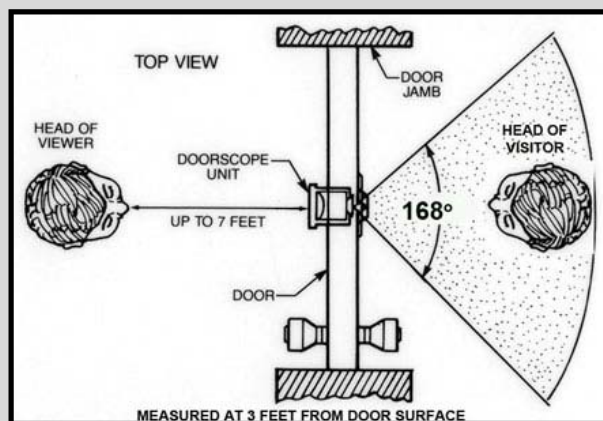


WHAT IS DOOR SCOPE?

The original brand Door Scope is a revolutionary patented, high-tech, high quality security product which virtually eliminates the conventional peephole. With our Door Scope, you don't have to approach the door nor strain to see visitors through a peephole anymore., Door Scope provides you with a sharp, clear image of the outside visitor up to seven feet away from inside your door.

FEATURES

- ◆ Provides 168 degree wide-angle view
- ◆ Viewable from up to 7 feet inside your home
- ◆ Quick, accurate and reliable identification of all visitors
- ◆ Durable and maintenance free
- ◆ Nothing electrical
- ◆ Inexpensive
- ◆ Easy installation
- ◆ Actual image supposed to be reversed
- ◆ Both models can be installed in doors 1 1/8" - 2 1/8" thick.



FIRE RATING (Tested by Warnock Hersey)

Testing Standard:

CAN S104(1985):NFPA 252(2008):UL 10(c) (2001): UL10(C)(2009)

DS1000 (Plastic Model) **20 Minutes**

DS2000 (Aluminum Model) **20 Minutes**



PATENTS

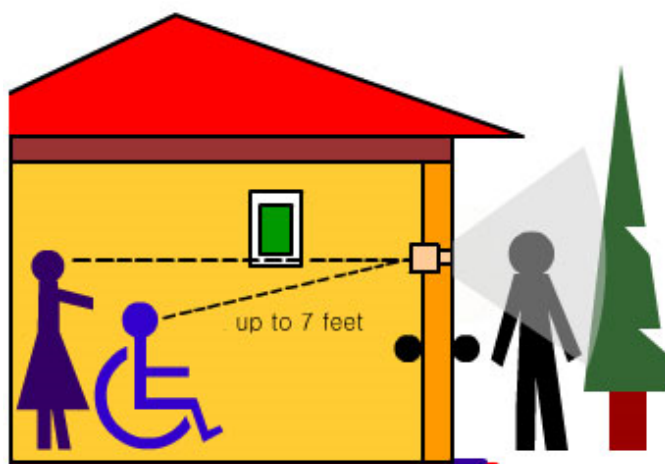
U.S.A, U.K., Spain, Germany, Taiwan, Hong Kong, Japan, China, Brazil and Korea

TRADE MARK

"DOOR SCOPE", "DOOR Scope"

CURRENT DOOR SCOPE USERS INCLUDE

F.B.I., Air Force Base, Wal-Mart, Staples, KFC, Wendy's, Pizza Hut, Bank of America, Wachovia Bank, Washington Mutual, Univ. of Louisiana, Univ. of Florida, Over 40 Government Housing Authorities and many more...



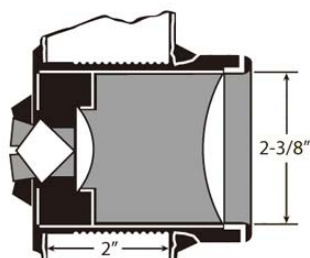
QUESTIONS? CALL MDISUPPLY.COM: 888.634.3667

The Original Manufactured Door Scope Brand Product



***** CATEGORY	WARNING ORIGINAL BRAND DOOR SCOPE	***** IMITATION PRODUCT
IMPRINT ON PRODUCT	DOOR SCOPE MADE IN KOREA	USUALLY NONE OR MADE IN CHINA
IMAGE THROUGH VIEWER	A SHARP, CLEAR, ACCURATE AND BRIGHT IMAGE	FOGGY AND BLURRED IMAGES
IMAGE THROUGH OUTSIDE	IMAGE DISPERSION SYSTEM BLOCKS PEEPING FROM OUTSIDE.	UNABLE TO BLOCK PEEPING FROM OUTSIDE
LIGHTING REQUIREMENTS	USES AN SCR-FILTER TO GET AN IMAGE AT NIGHT TIME IN MINIMUM LIGHT CONDITIONS	NOT ABLE TO GET AN IMAGE AT NIGHT TIME, REQUIRES MAXIMUM LIGHTING CONDITIONS
INSTALLATION	PREASSEMBLED SYSTEM FOR ONE-STEP EASY INSTALLATION AND ELIMINATES POTENTIAL ERROR	THREE-STEP ASSEMBLE SYSTEM, REQUIRES HIGH CARPENTERS SKILLS
SEALING	PRESSURE SEALED PRISM SET PREVENTS PERMEATING OF MOISTURE AND DUST	EASY TO GET MOISTURE AND DUST THROUGH PRISM HEAD
FIRE TEST	20 MINUTE RATED ON DS2000 and DS1000 MODELS	NONE

SCHEMATIC DIAGRAM of CROSS-SECTION



■ ADJUSTABLE FROM 1-1/8" TO 2" ■

ACTUAL IMAGES



VIEW FROM INSIDE



VIEW FROM OUTSIDE

© MDISupply.com. All Rights Reserved.

® "DOOR SCOPE" and "DOOR Scope" are Registered Trademarks of the Door Scope Company and are used by MDI Supply under License.

