

Series 15700 - RTA

Rear Terminal ATC Fuse Panel

The Rear Terminal ATC® Fuse Panel (RTA) is a rear-fed panel with high component retention, which makes it an ideal choice for high vibration environments including construction, agriculture, bus, recreational vehicles, heavy trucking equipment, etc. It is available in multiple lengths and internal bussing configurations. This allows for up to four separate power input circuits and 32 individual output circuits.

Specifications

Input terminal rating: 1/4-20 stud; quick-connect terminals provided on middle bus (Series 15713 & 714); 200A max total input for unit

Output terminal rating: 30A max load per circuit

Temperature rating: -40°F (-40°C) to 260°F (125°C)

Materials: UL 94 V-0 thermoplastic

Termination:

- Delphi Pack-Con® Series 3 & 5
- Input wire size: #4-6 AWG
- Output wire size: #10-16 AWG
- Torque Rating: 50 in-lbs max
- Mounting torque rating: #10-32 threaded inserts, 24 in-lbs max torque

Options

Positions: 8-32 circuits available

Split power: Single, dual, triple or quadruple bus options

Cover: Short cover for fuses only and taller cover for use with circuit breakers

Locks: Secondary locs available for securing of output terminals (#15710-TP - comes in multiples of 8 positions. Must order multiple strips to cover length of selected RTA).



Notes

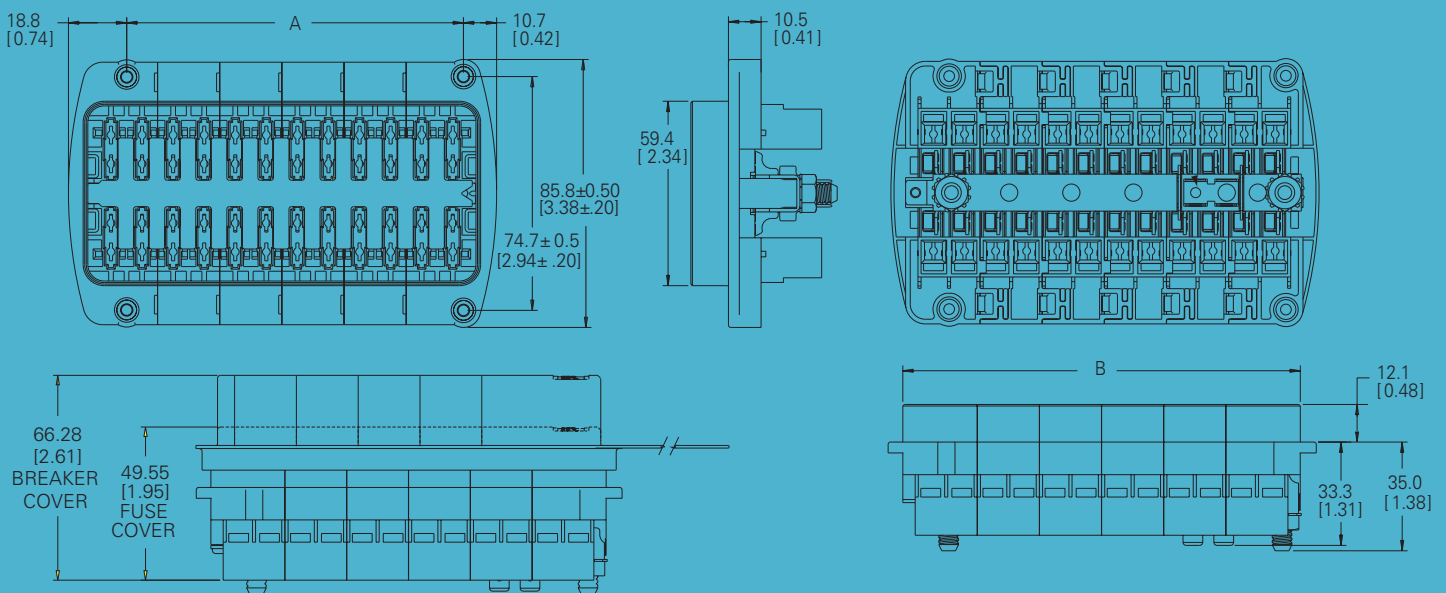
- Consult Delphi distribution for availability
- For Series 15712, 15713 and 15714, there is a maximum total of 32 positions and must be in increments of 4.

Ordering information

1571X - XX-XX - X X X

Series	# Positions	Hardware Options	Cover Options	Marking Option
15711 = Single stud, single circuit supply 15712 = Double stud, split supply circuit 15713 = Triple buss, split supply circuit 15714 = Quadruple buss, split supply circuit	15711 Series 08-32 = Total 15712 Series 06-28 = Left side 04-28 = Right side 15713 Series 14-31 = Left side 06-24 = Right side 15714 Series 14-31 = Left side 06-24 = Right side	0 = None 1 = Nuts (shipped in bulk) 2 = Nuts (shipped assembled)	0 = None 1 = Fuse cover 2 = CB cover	A = Standard Consult factory for special marking options

Dimensions in mm (inches)



	DIM 'A' VALUE	DIM 'B' VALUE
8 POLE	28.0	47.5
12 POLE	48.0	67.0
16 POLE	67.8	87.0
20 POLE	87.5	107.0
24 POLE	107.0	126.5
28 POLE	127.0	146.5
32 POLE	147.0	166.5