

# Series 37700 - PFM/PRM

## Power Fuse Modules (PFM)

## Power Relay Modules (PRM)

Eaton offers a sealed Power Relay Module (PRM) along with an accompanying Power Fuse Module (PFM). These compact power distribution modules are designed for high current applications and are suitable for placement in high moisture and vibration environments.

The PRM contains a relay and two female Maxi fuse positions. One of these fuses protects the relay and the other is a single-circuit inline fuse. The PFM contains only two fuses - each a separate circuit. A silicone seal and removable cover offer a weather-tight enclosure (IP66) for the fuse positions.

PRMs/PFMs also feature rugged M8 power input studs with output options that include terminal studs (M6) or sealed (IP66) connector (PRM only). Multiple units may be connected together via a custom buss bar or can be bussed to any of the Eaton PDMs (i.e. the 31000/32000 Series VEC/DVEC, 15300 Series RTMR, etc.).

### Specifications

PRM rating: 60A, 12VDC steady-state relay;  
or 25a, 24VDC steady-state relay

Relay protection fuse: Up to 60A for 12V relay & 30A for 24V relay

Nonswitched Inline fuse: Up to 60A (12V or 24V)

PFM rating: each inline fuse rated up to 60A

Materials: UL 94-V0 thermoplastic (excluding cover);  
silicone seal; tin-plated copper terminals; plated steel studs

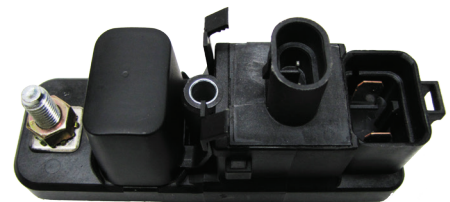
Input termination: M8 threaded stud

PRM switching/trigger signal connector:: Delphi Metri-Pack® 150  
Series or AMPSEAL® 16 (dependent upon part number configuration)

Output termination: Two M6 threaded studs or Eaton Series 32004  
sealed connector (PRM only); accepts Delphi Packard 800 series  
terminals.

Torque ratings:

- Input stud: 144in-lbs max
- Output stud: 48in-lbs max
- Mounting: 48in-lbs max



### Options

Mounting: Counter rotation feature (CRF) available to prevent rotation on single bolt installations

Bussing: Custom bussing available for joining multiple PRMs/PFMs; options also available for bussing PRMs/PFMs to other Eaton PDMs

Accessories: Buss bar, stud cap

Signal connector part numbers:

- Delphi: Black - 12052641; grey - 12052644 (consult Delphi distribution)
- AMP: Red - 776427-1; grey - 776427-2; yellow - 776427-3; green - 776427-4 (consult Tyco distribution)

### Standards & Certifications

Ingress protection rating: IP66 (excluding stud connections)

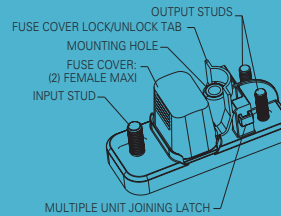
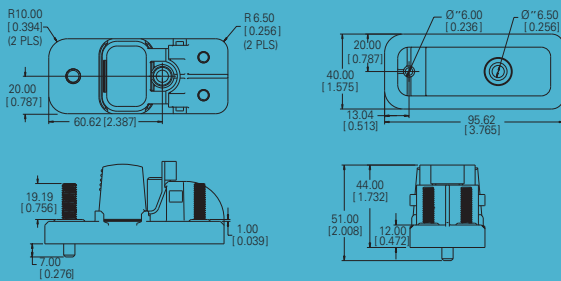
Compliances: SAE 31171 (ignition protected)

## Ordering information

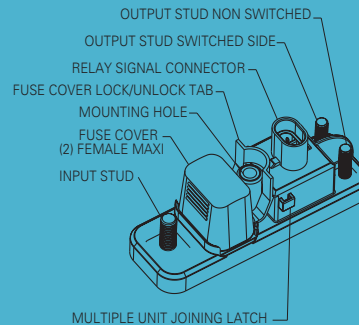
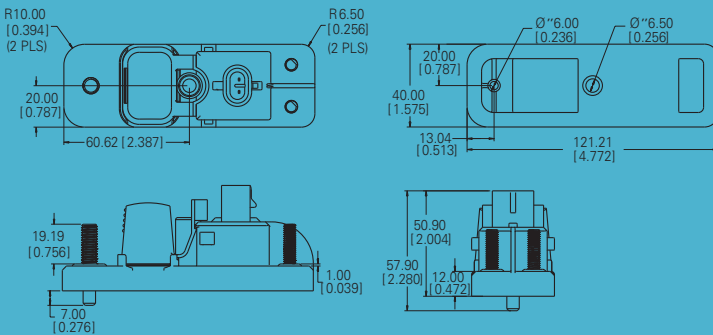
**3770X** - **X** **X** **X** **X** **X** **X** **X** **X** **X**

Series	Output/Signal Type	Signal Key	Output Key	Nonswitched Fuse	Switched Fuse	Cover Option	Hardware Option	Private Label
37701 = PFM 37702 = 12V PRM 37703 = 24V PRM	<b>PFM</b> 1 = Stud - Delphi  <b>PRM</b> 1 = Stud - Delphi 2 = Connector Delphi 3 = Stud - AMP® 4 = Connector - AMP®	<b>PFM</b> N = Not available on PFM  <b>PRM</b> A = Black - Delphi only B = Grey C = Green - AMP® only F = Red - AMP® only Y = Yellow - AMP® only	N = Stud output (n key) A = Black B = Grey	0 = None 2 = 20A 3 = 30A 4 = 40A 5 = 50A 6 = 60A	0 = None 2 = 20A 3 = 30A 4 = 40A 5 = 50A 6 = 60A (12V only)	0 = None 1 = Cover (bulk) 2 = Cover (installed)	0 = None 1 = Nuts (bulk) 2 = Nuts (installed) 3 = CRF 4 = CRF, nuts (bulk) 5 = CRF, nuts (installed)	X = Consult factory

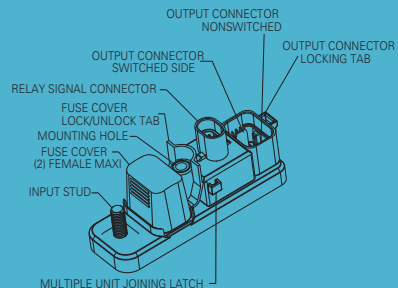
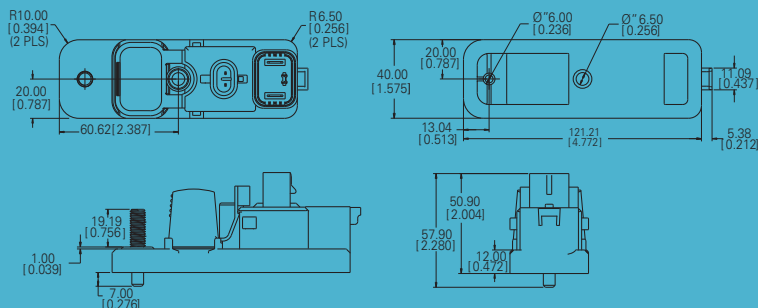
## Dimensions in Inches (mm)



**37701-1N Series**



**37702 & 37703 Series stud output**



**37702 & 37703 Series**