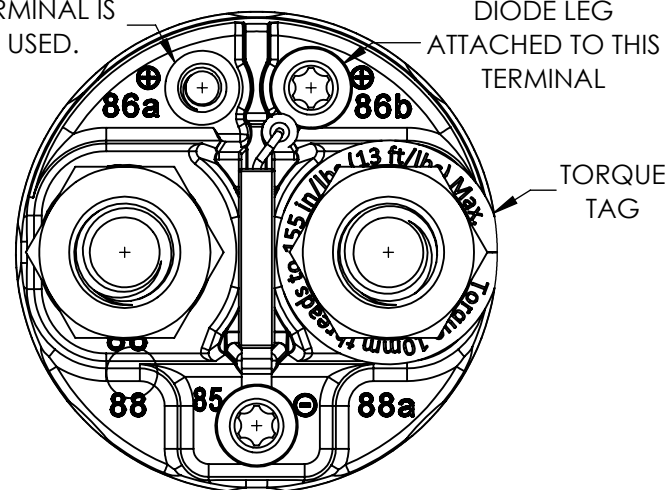
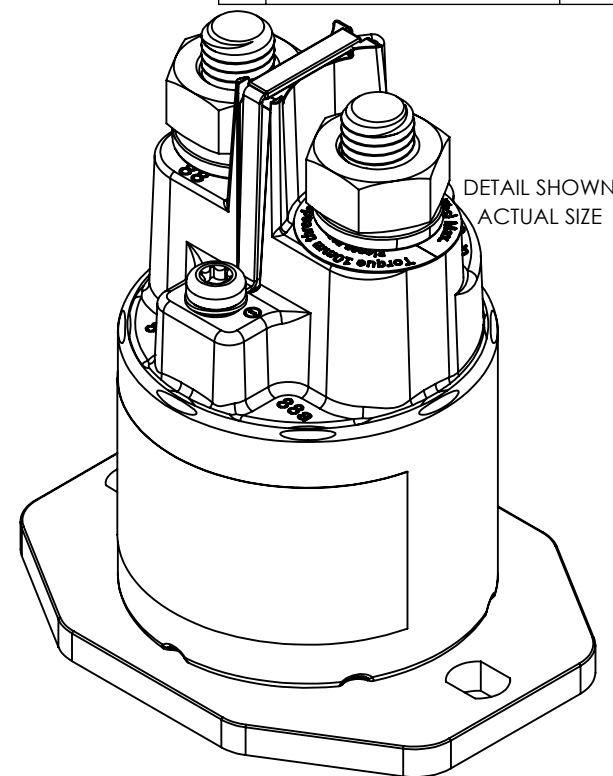


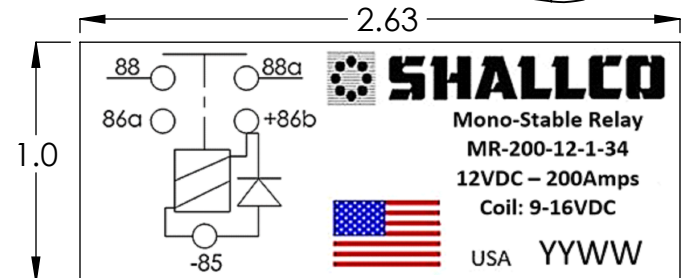
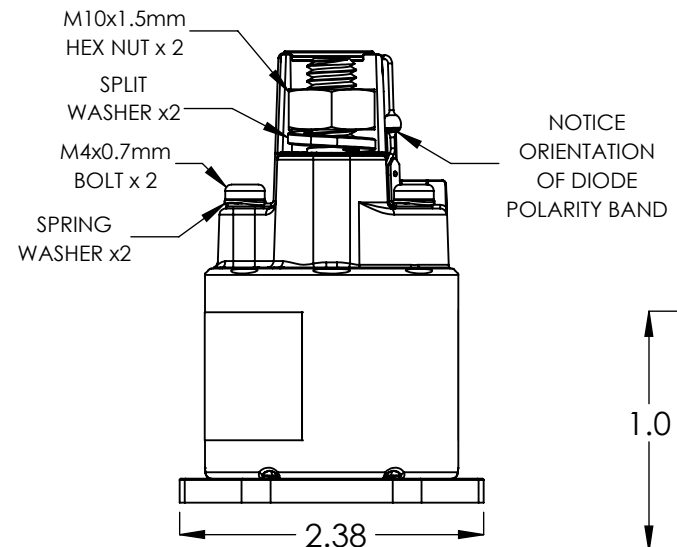
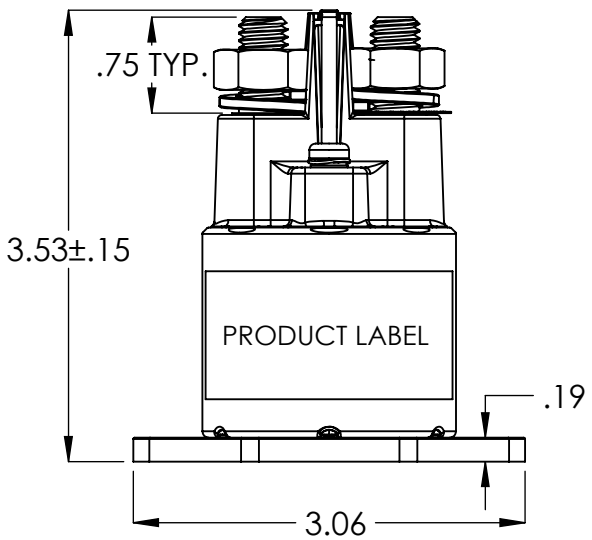
THIS TERMINAL IS NOT USED.
DIODE LEG ATTACHED TO THIS TERMINAL



DETAIL A
SCALE 4 : 3



DETAIL SHOWN
ACTUAL SIZE



SHALCO
Mono-Stable Relay
MR-200-12-1-34
12VDC - 200Amps
Coil: 9-16VDC
USA YYWW

CONTINUOUS DUTY COIL

PRODUCT LABEL

SHALCO
308 COMPONENTS DRIVE, SMITHFIELD, NC 27577 USA
DO NOT SCALE DRAWING
TITLE: **MONO-STABLE RELAY
12VDC-200AMP
WITH HARDWARE & DIODE
12VDC COIL**
BLANK WEIGHT: - PART WEIGHT: 1 LB
SIZE **A** DWG. NO. **MR-200-12-1-34** REV. **A**
SHEET 1 OF 2
SCALE: 1:2 FILENAME: MR-200-12-1-34

PROPRIETARY AND CONFIDENTIAL

This document contains proprietary data for products designed by Shalco, Inc., of Smithfield, NC. No disclosure; reproduction, or use of any part thereof maybe made except by written permission.

	NAME	DATE
DRAWN	JRT	3-13-20
CHECKED		
ENG APPR.	RMF	3-13-20
MFG APPR.		
Q.A.		

DIMENSIONS ARE IN INCHES
TOLERANCES:
FRACTIONAL ± 1/32
ANGULAR: MACH ± BEND ±
TWO PLACE DECIMAL ± .010
THREE PLACE DECIMAL ± .005

REV.	DESCRIPTION	DATE	APP'D	REV.	DESCRIPTION	DATE	APP'D
	REVISIONS				REVISIONS		

Mono-Stable Relay Technical Data

Temperature range: -40 C to +85°C
 -40°F to +185°F
 Max. Altitude rating: 50,000 ft.
 Seal: IP67: IEC 60529
 Shock: 6g, 11ms, Saw Tooth
 Vibration: SAE J1455, Appendix A,
 Category 2,
 4g - 10Hz-2000Hz
 Mechanical Life: > 50,000 cycles

Electrical Characteristics

Min. Insulation Resistance: 100 MΩ (500VDC)
 Dielectric withstanding voltage: 1,025 V / 1 min.
 Max. Voltage drop: 200 mV (CTQ <0.0009 VDC @ 1AMP, MAX)
 Duty rating, Continuous: 200 A

Rated Contact Load 12 VDC (Break)

Resistive load: 50,000 cycles 200 A
 Inductive load: 10,000 cycles 100 A
 Motor load: 50,000 cycles 200 A
 Bounce: ≤ 5 ms
 Break: ≤ 5 ms

Coil Data 12 VDC

Nominal voltage: 12 VDC
 Voltage range: 9-16 VDC
 Drop out: 3 VDC
 Coil resistance: 18 Ω ± 10%
 Coil Wattage: 8W
 Duty rating: 12V Continuous

PROPRIETARY AND CONFIDENTIAL

This document contains proprietary data for products designed by Shallco, Inc., of Smithfield, NC. No disclosure; reproduction, or use of any part thereof may be made except by written permission.

	NAME	DATE
DRAWN	JRT	3-13-20
CHECKED		
ENG APPR.	RMF	3-13-20
MFG APPR.		
Q.A.		

		
308 COMPONENTS DRIVE, SMITHFIELD, NC 27577 USA DO NOT SCALE DRAWING		
TITLE:		
MONO-STABLE RELAY 12VDC-200AMP WITH HARDWARE & DIODE 12VDC COIL		
SIZE	DWG. NO.	REV.
A	MR-200-12-1-34	A
		SHEET 2 OF 2
SCALE:1:2	FILENAME: MR-200-12-1-34	

DWG NO: MR-200-12-1-34