

AMI Series

SAE/ISO SF30 Fuse

Specifications

Bolt in style fuses

Current Rating: 30-200A

Voltage Rating: 32VDC

Interrupt Rating: 2000A @ 32VDC; 5000A @ 16VDC

Housing Material: UL 94-V0 thermoplastic

Terminal Material: Tin-plated brass

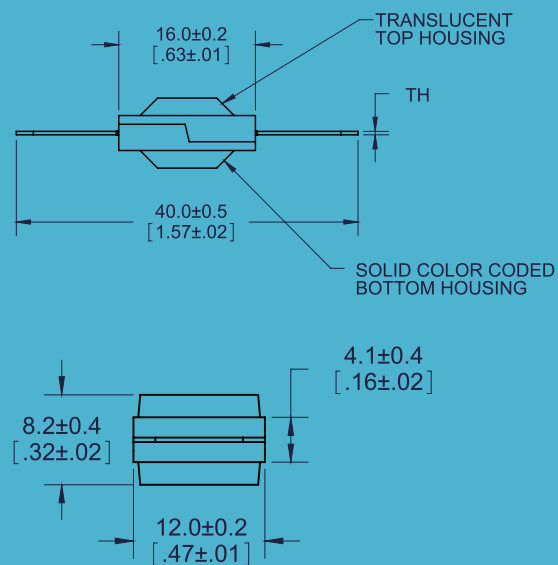
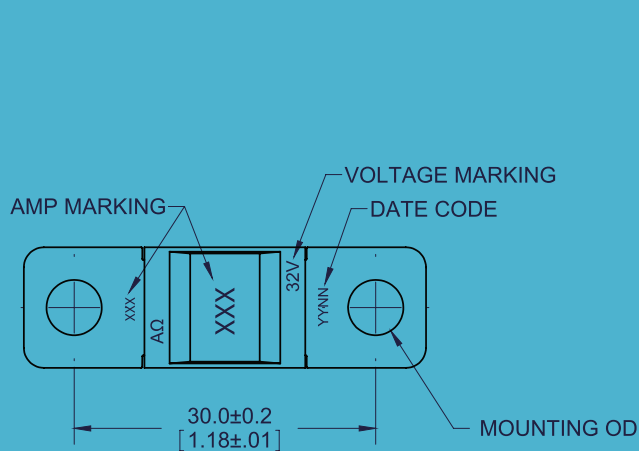
Mounting: Max torque of 35 in-lbs (4N • m)

Marking: Color-coded housings for each amperage

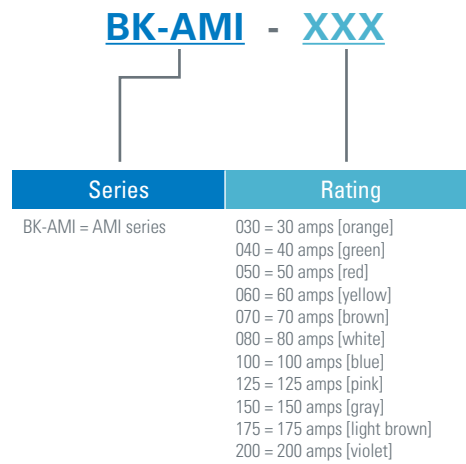
Compliances: SAE J1171 (ignition protected); ISO 8820-5



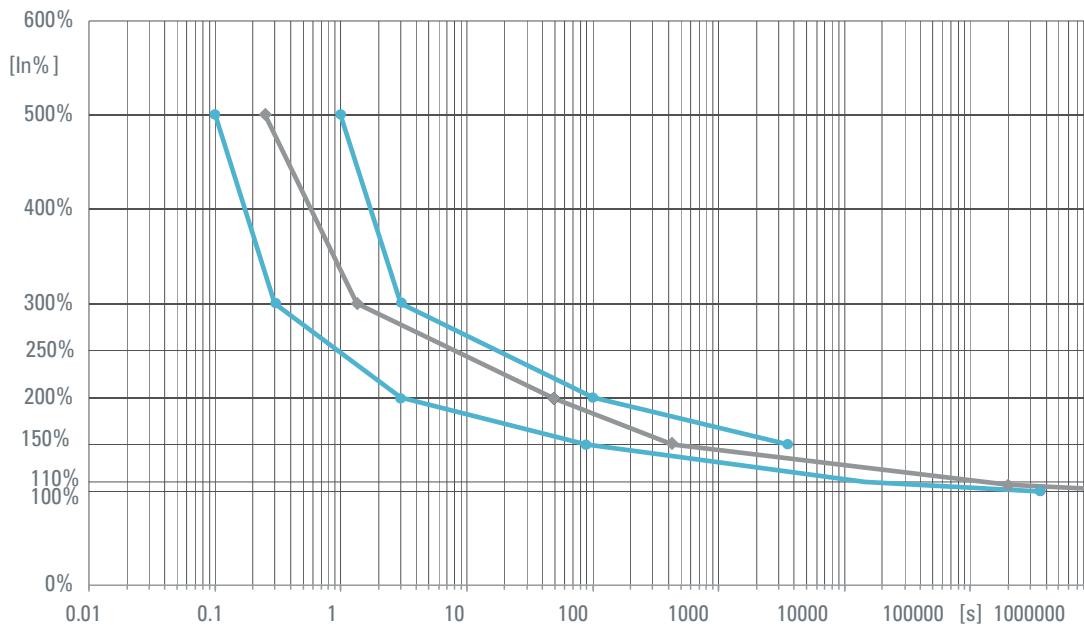
Dimensions in Inches (mm)



Ordering information



Time Current Curve



Time Current Specifications

% of rating	30A - 125A		150A - 200A	
	min	max	min	max
75%	-	-	360.000s	∞
100%	360.000s	∞	-	-
110%	14.400s	∞	-	-
150%	90s	3.600s	-	-
200%	3s	100s	1s	15s
300%	0.3	3s	-	-
350%	-	-	0.3s	5s
500%	0.1	1s	-	-
600%	-	-	0.1s	1s