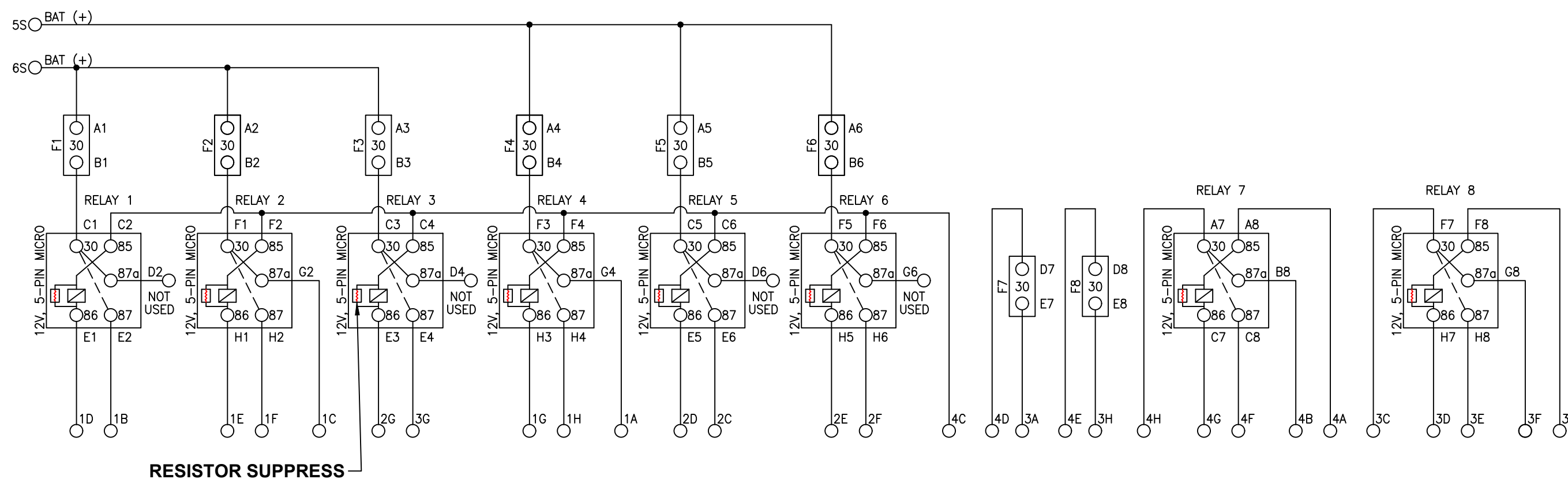


PART NO. 31S-004-0-SALES

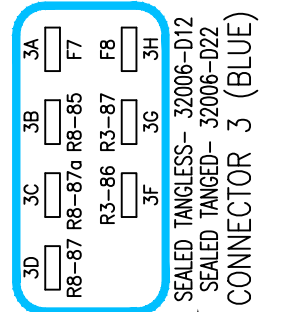
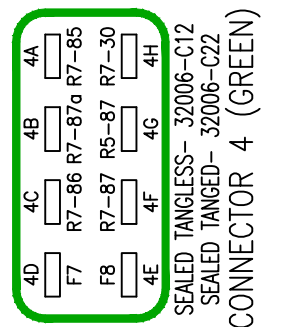
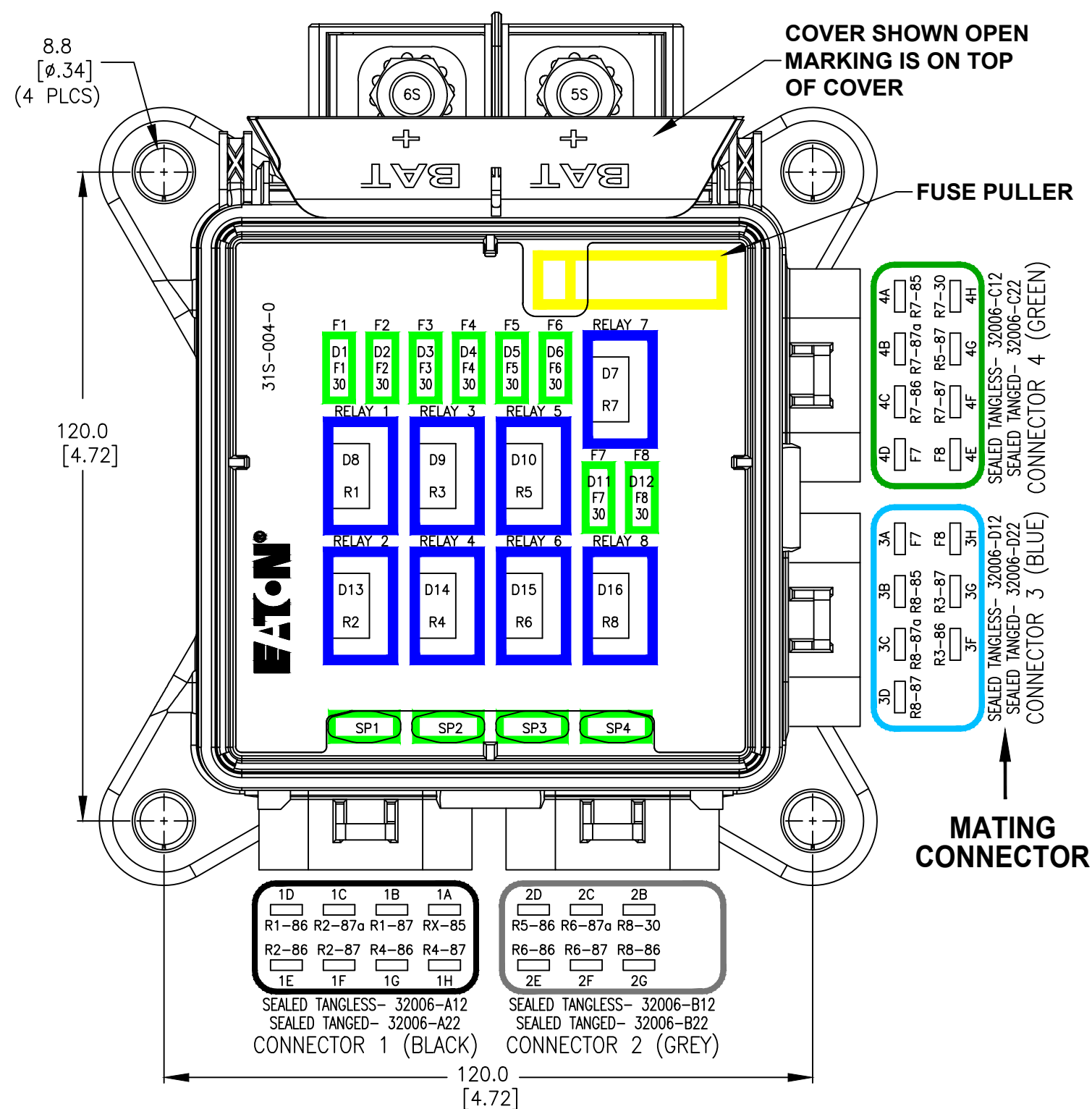
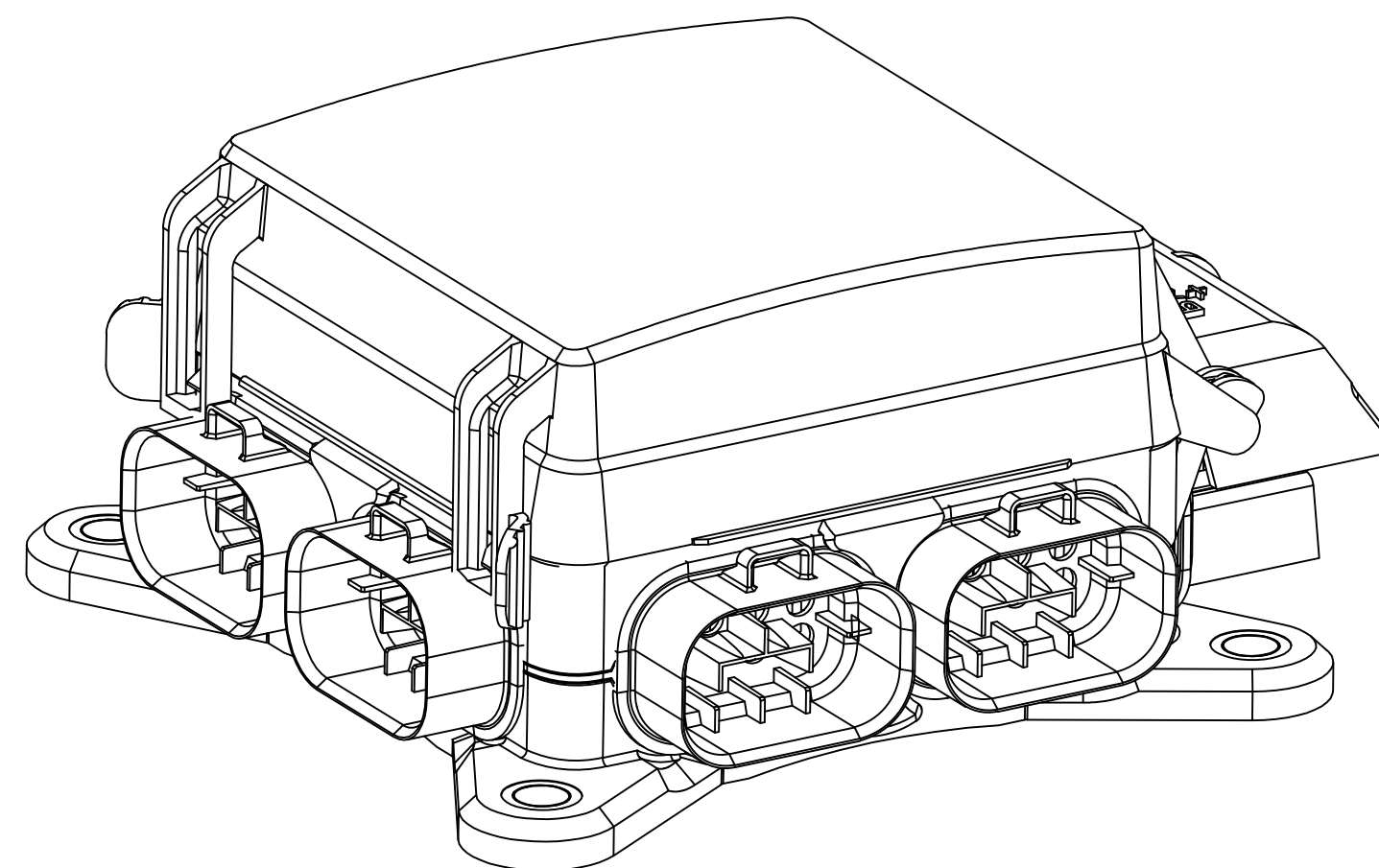
METRIC(mm)

THIS IS A CAD DRAWING - DO NOT MANUALLY REVISE

| REV # | REVISIONS | DATE | APPR. |
|-------|-------------------------------|------------|-------|
| 0 | INITIAL RELEASE ECO-184223 | 04-10-2020 | A.L |



RESISTOR SUPPRESS



MATING CONNECTOR

| POSITION | REFERENCE | DEVICE |
|----------|-----------|------------------|
| D1 | F1 | MINI FUSE - 30A |
| D2 | F2 | MINI FUSE - 30A |
| D3 | F3 | MINI FUSE - 30A |
| D4 | F4 | MINI FUSE - 30A |
| D5 | F5 | MINI FUSE - 30A |
| D6 | F6 | MINI FUSE - 30A |
| D7 | R7 | 12V, 5-PIN RELAY |
| D8 | R1 | 12V, 5-PIN RELAY |
| D9 | R3 | 12V, 5-PIN RELAY |
| D10 | R5 | 12V, 5-PIN RELAY |
| D11 | F7 | MINI FUSE - 30A |
| D12 | F8 | MINI FUSE - 30A |
| D13 | R2 | 12V, 5-PIN RELAY |
| D14 | R4 | 12V, 5-PIN RELAY |
| D15 | R6 | 12V, 5-PIN RELAY |
| D16 | R8 | 12V, 5-PIN RELAY |

| POSITION | DEVICE | RATING |
|----------|-----------|--------|
| SP1 | MINI FUSE | 30 |
| SP2 | MINI FUSE | 30 |
| SP3 | MINI FUSE | 30 |
| SP4 | MINI FUSE | 30 |

| DEVICE | PART # | RATING |
|------------------|---------------|--------------------|
| 12V, 5-PIN RELAY | B120-7016-SRV | 12V, 35A NO/20A NC |
| MINI FUSE | BK-ATM-30 | 30A |
| COVER | B151-7172-SRV | - |
| FUSE PULLER | 32103BS | - |

- SPECIFICATIONS:**
- RATING (MAXIMUM RATING):
 - 200A CAPACITY
 - 100A PER INPUT STUD (M8)
 - 30A PER OUTPUT TERMINAL
 - 100A PER OUTPUT CONNECTOR
 - MAXIMUM TORQUE:
 - M8 INPUT STUD: 216 IN-LBS (18 FT-LBS)
 - MOUNTING: 300 IN-LBS (25 FT-LBS)

- OPERATING TEMPERATURE: -40°F (-40°C) TO 221°F (105°C)
- INGRESS PROTECTION: APPLICATION DEPENDENT UP TO IP66 REQUIREMENTS
- OUTPUT TERMINAL: DELPHI METRI-PACK 280 SERIES (SEALED TANG OR TANGLESS)
- DELPHI METRI-PACK 280 SERIES CAVITY PLUGS ARE INSTALLED WHERE WIRES ARE NOT USED.

| TOLERANCES UNLESS OTHERWISE SPECIFIED | | THIRD ANGLE PROJECTION | |
|---------------------------------------|-----------------|-------------------------|--|
| METRIC TOL | ENGLISH TOL | | |
| 1 PL DEC.=±.25 | 2 PL DEC.=±.01 | ANGULAR TOL= ± 2° | |
| 2 PL DEC.=±.13 | 3 PL DEC.=±.005 | FRACTION TOL= ± 1/64 IN | |

COPYRIGHT - Eaton
This is an unpublished work. The disclosure of this work is limited to a select personnel. Further dissemination or disclosure to the public is PROHIBITED. This unpublished work is protected by Federal Copyright law and all rights thereunder are reserved by Eaton.

CONFIDENTIAL - The information contained in this document is the property of Eaton. It is not for public disclosure. Possession of the information does not convey any right to loan, sell or disclose the information. Unauthorized reproduction or use of the information is prohibited. This document is to be returned to Eaton upon completion of the purposes for which it is loaned or upon request.

| FINISH | | TITLE | |
|--------------------|------------------------|---|-------------|
| | | VEHICLE ELECTRICAL CENTER STANDARD CONFIGURATION | |
| DRAWN BY A. LUU | ENG. / APPR. A. LUU | DATE 04-10-20 | SCALE NA |
| SHEET 1 OF 1 | | PART NO. 31S-004-0-SALES | |