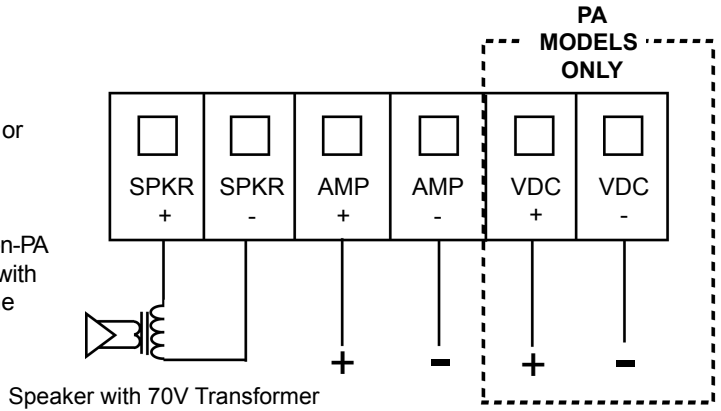


(WIRING)

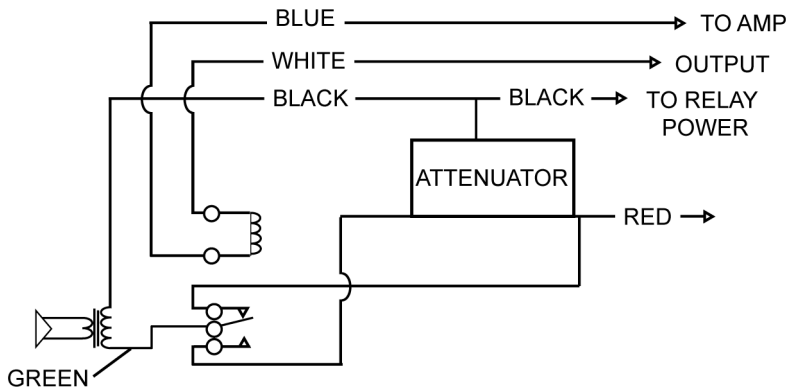
Each terminal will hold up to 2-16AWG stranded wire. For larger wires or home run situations, a small length of wire and a wire nut are recommended.

Attach wire according to label on terminal block as shown to the right (Non-PA Models will not have the "VDC+" and "VDC-" terminals). *Install the unit with the terminal block on top. This will ensure that the OFF position is in the bottom.

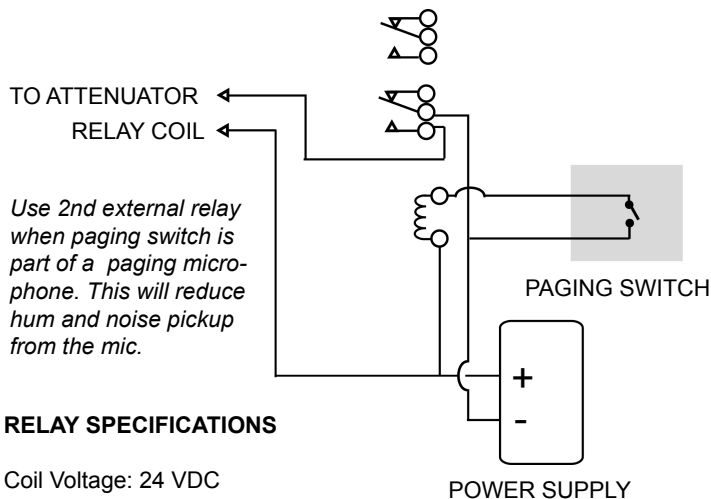


(SCHEMATICS FOR PRIORITY ATTENUATORS)

WIRING REQUIREMENTS: 1 PAIR FOR AUDIO, 1 PAIR FOR RELAY



(POWER SWITCHING REQUIRE FOR PA ATTENUATORS)

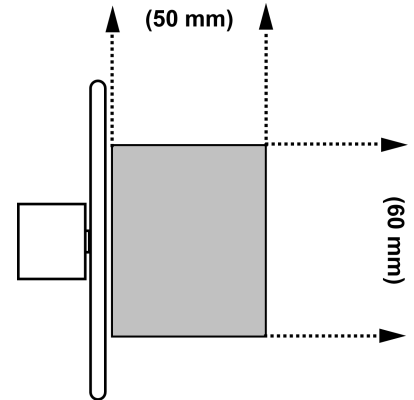


RELAY SPECIFICATIONS

Coil Voltage: 24 VDC
Coil Current: 10MA
Contact: 2AMP rating

(SPECIFICATIONS / DIMENSIONAL)

SIDE VIEW



TOP VIEW

