

Kinetic Series lever chain hoists

0.75 to 9 metric ton lifting capacities

Ingersoll Rand Kinetic Series premium manual chain hoists are engineered for the harshest of environments and deliver exceptional durability to meet your toughest demands. With grade 100 Electro-galvanized chain, cast hook latches, all steel construction and extensive use of bearings these hoists are designed to LAST with minimal down time.

Kinetic Series hoists; Safe, Compact, Durable.

Features

- Heavy duty cast hook latches designed for less latch replacements
- Corrosion resistant finish for additional durability
- Ergonomic handle grip to reduce fatigue
- Capacities from .75 metric ton to 9 metric ton
- Single chain fall through 3 metric tons; less chain equals less weight
- Full bearing construction on load sprocket and pinion shaft for reduced chain pull effort and longer life
- Fused brake disc for exceptional long brake life
- Premium grade 100, Electro-Galvanized chain designed for exceptional corrosion resistance for increased durability.
- Compact design for the tightest of spaces
- CE certified; hoists meet or exceed regional requirements including ASME B30.21, HST-3M



Kinetic Series Specifications

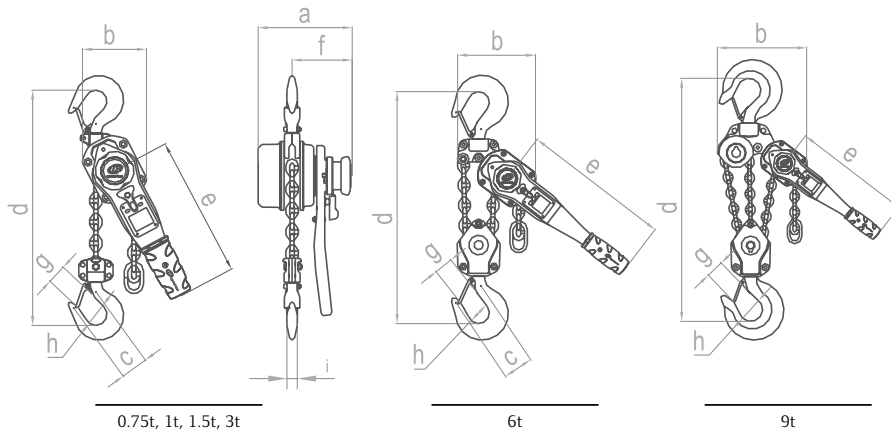
Model	Capacity		Number of Falls	Pull to Lift Rated Load		Chain Weight		Shipping Weight with 10' of Lift	
	lbs	metric tons		lb	kg	lb/ft	kg/ft	lb	kg
KL075	1,650	0.75	1	48.3	21.9	0.47	0.21	13.4	6.1
KL100	2,200	1	1	66.1	30	0.47	0.21	13.9	6.3
KL150	3,300	1.5	1	68.1	30.9	0.74	0.34	18.7	8.5
KL300	6,600	3	1	83.6	37.9	1.48	0.67	31.3	14.2
KL600	13,200	6	2	85.9	39	2.95	1.34	58.6	26.6
KL900	19,800	9	3	88.1	40	4.43	2.01	102.5	46.5

Note: Overload clutch is optional on all capacities. Shipyard hooks available with 1.5 ton and 3.0 ton capacities only.

Kinetic Series Dimensions

Model	A		B		C		D		E		F		G		H		I	
	mm	(in)	mm	(in)	mm	(in)	mm	(in)	mm	(in)	mm	(in)	mm	(in)	mm	(in)	mm	(in)
KL075	158	6.2	119	4.7	37	1.5	280	11.0	245	9.6	108	4.3	28	1.1	35.5	1.4	14.5	0.6
KL100	158	6.2	119	4.7	45	1.8	300	11.8	245	9.6	108	4.3	33	1.3	42.5	1.7	16	0.6
KL150	176	6.9	126	5.0	47	1.9	335	13.2	265	10.4	112	4.4	33.5	1.3	42.5	1.7	18.5	0.7
KL300	210	8.3	159	6.3	62.5	2.5	395	15.6	415	16.3	128	5.0	43.5	1.7	50	2.0	27	1.1
KL600	210	8.3	218	8.6	78	3.1	540	21.3	415	16.3	128	5.0	51	2.0	60	2.4	32	1.3
KL900	210	8.3	298	11.7	-	-	680	26.8	415	16.3	128	5.0	64	2.5	85	3.3	40	1.6

Dimensions are subject to change.



▶ HOW TO ORDER KL300VS-10

Example: Base Model - Lift (ft) Option
 KL300 - 10 V

Overload protection = V
 Shipyard hook = S

Note: Shipyard hooks available with 1.5 ton and 3.0 ton capacities only.