

(Kit contents continue on following page)

Read instructions and view illustrations before beginning.

Need help with your installation?

 sales@superatv.com
 www.superatv.com

 1-812-574-7777
  8:00am - 9:00pm EST M-Th
 8:00am - 7:00pm EST Friday
 9:00am - 2:00pm EST Saturday

Liability Statement
 SuperATV's[®] products are designed to best fit user's ATV/UTV under stock conditions. Adding, modifying, or fabricating any factory or aftermarket parts will void any warranty provided by SuperATV[®] and is not recommended. SuperATV's[®] products could interfere with other aftermarket accessories. If user has aftermarket products on machine, contact SuperATV[®] to verify that they will work together.

Although SuperATV[®] has thousands of satisfied customers, user should be aware that installing lift kits, long travel, or suspension kits, tires, etc. will change the ride of machine and may increase maintenance and part wear. Operating any off-road machine while, or after, consuming alcohol and/or drugs increases risk of bodily harm or death. No warranty or representation is made as to this product's ability to protect user from severe injury or death. SuperATV[®] urges operators and occupants to wear a helmet and appropriate riding gear at all times.

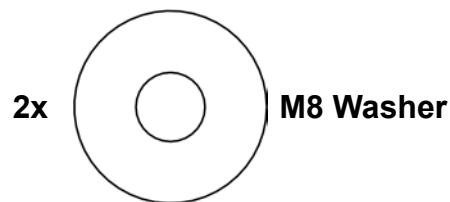
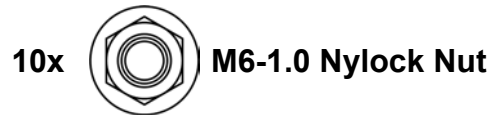
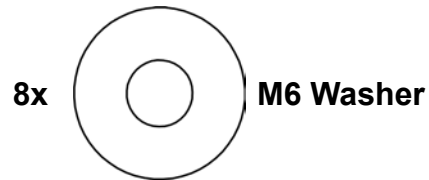
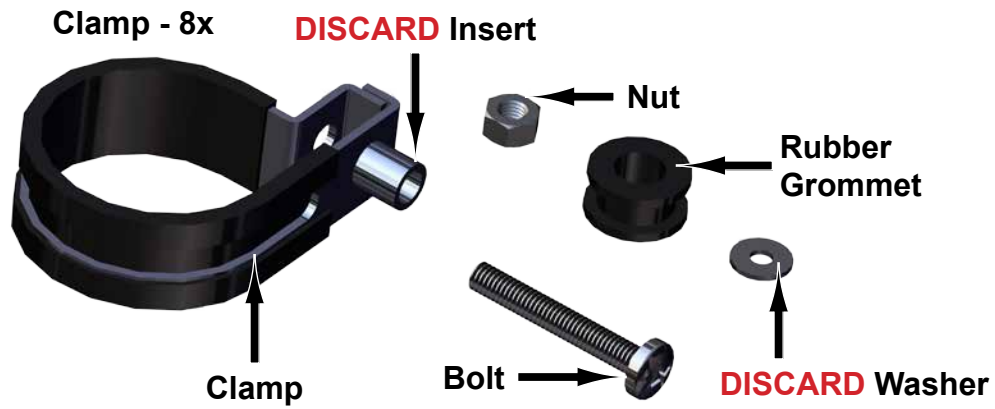
By purchasing and installing SuperATV[®] products, user agrees that should damages occur, SuperATV[®] will not be held responsible for loss of time, use, labor fees, replacement parts, or freight charges. SuperATV[®], nor any 3rd party, will not be held responsible for any direct, indirect, incidental, special, or consequential damages that result from any product purchased from SuperATV[®]. The total liability of seller to user for all damages, losses, and causes of action, if any, shall not exceed the total purchase price paid for the product that gave rise to the claim.

SuperATV[®] will warranty only parts provided by SuperATV[®]. Any damage or problems with OEM housings, bearings, seals, or other manufacturers' products will not be covered by SuperATV[®]. SuperATV[®] parts and products are not warranted if item was not installed properly, misused, or modified.

Thank You
For Choosing
SUPERATV.COM[®]

(Kit contents continued)

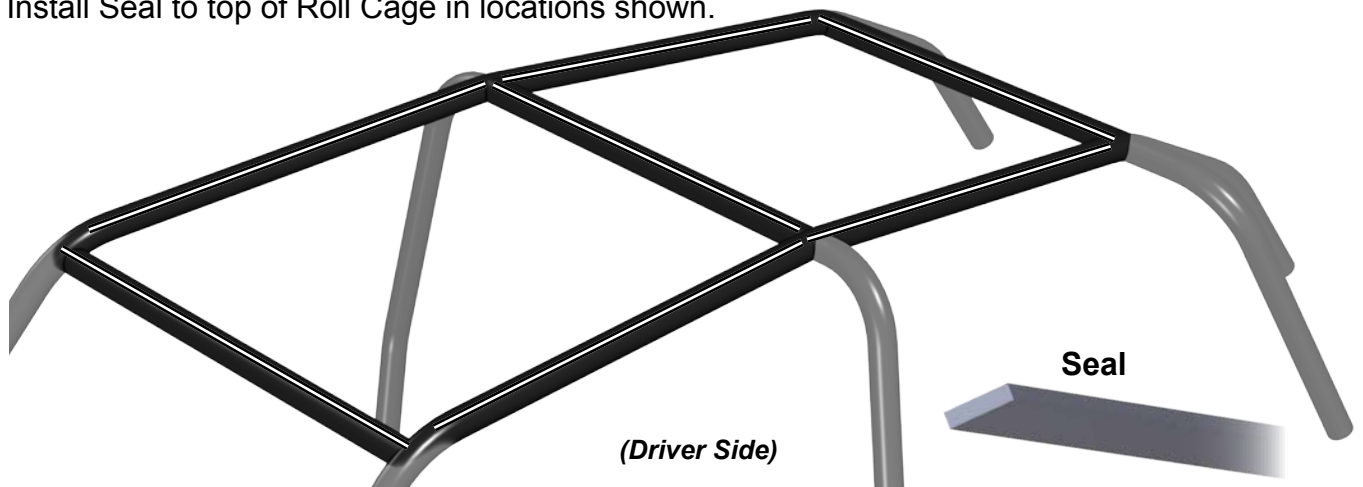
Disassemble Clamps



Keep all components removed from machine.



- Install Seal to top of Roll Cage in locations shown.



- Install Grommets into Roof (Front and Rear). To ease installation, apply soapy water to Rubber Grommets before inserting.

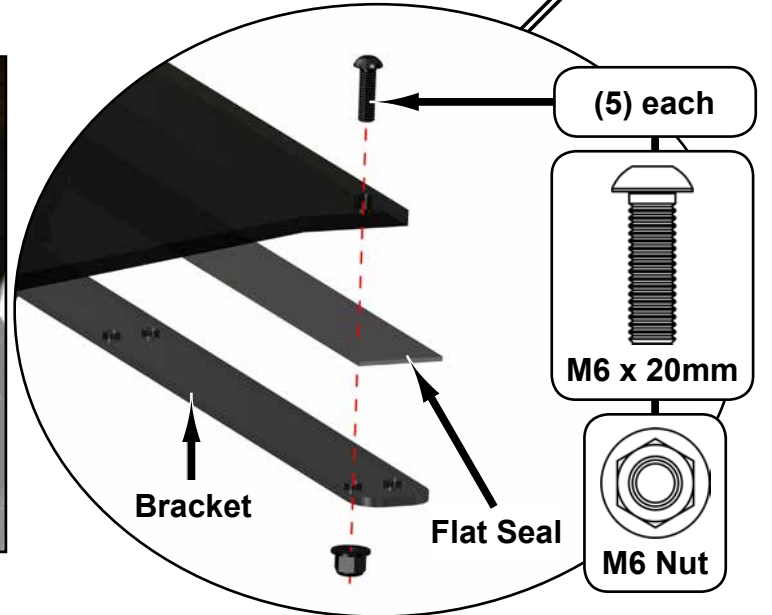
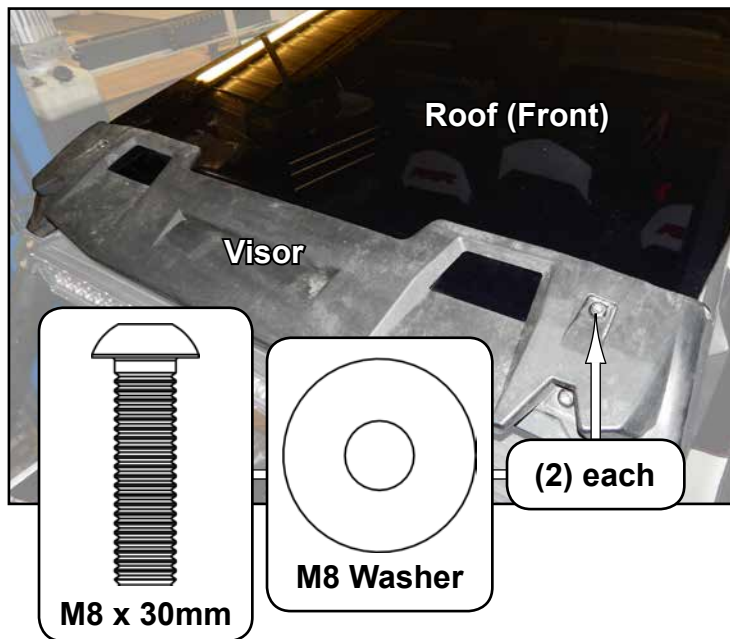
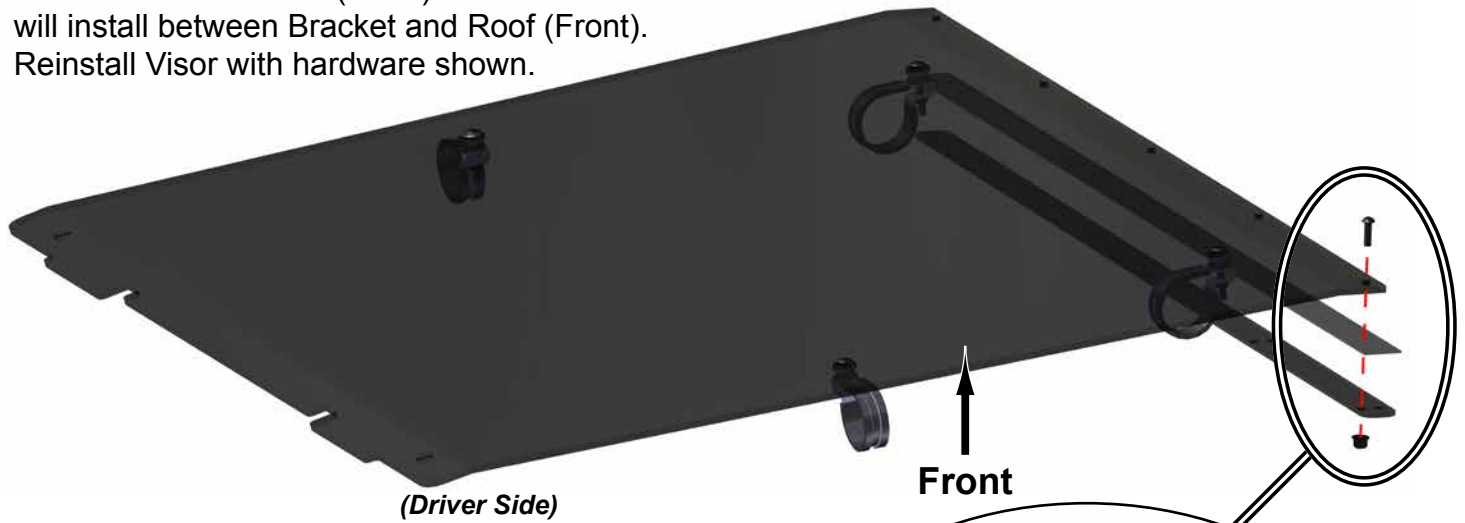


Do not tighten hardware completely.

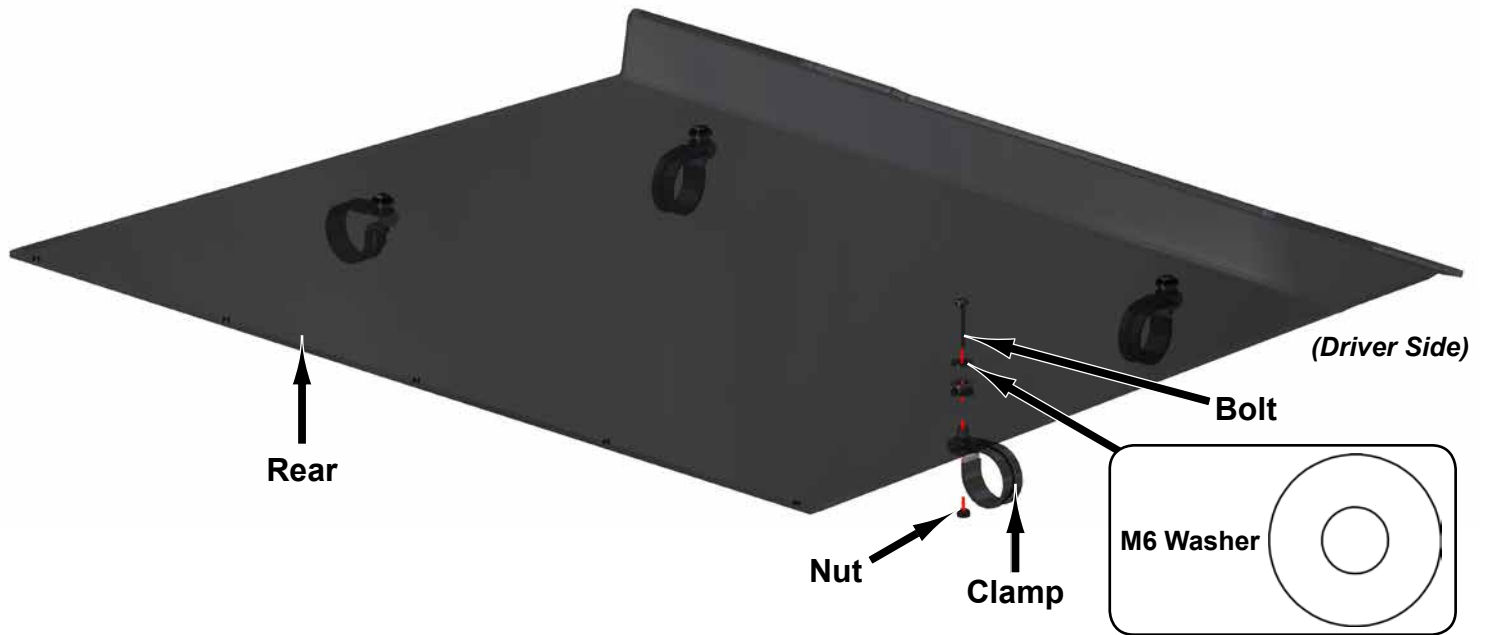
- Place (4) Clamps around front section of Roll Cage secure Roof (Front) to Clamps with Clamp hardware and M6 Washers.



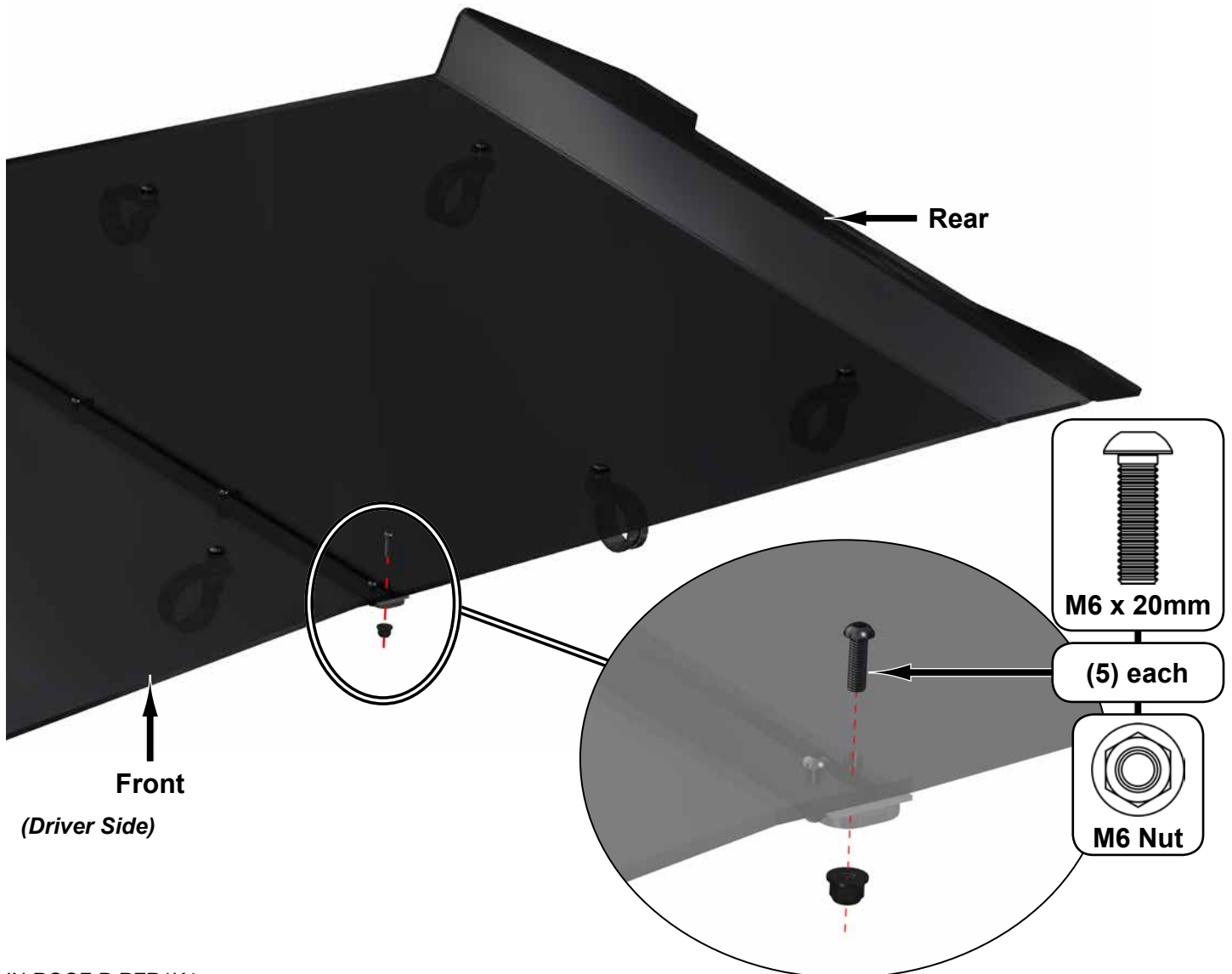
- Install Bracket to Roof (Front) with hardware shown. Flat Seal will install between Bracket and Roof (Front).
- Reinstall Visor with hardware shown.



- Place (4) Clamps around rear section of Roll Cage secure Roof (Rear) to Clamps with Clamp hardware



- Secure Roof (Rear) to Bracket with, M6-1.0 x 20mm Lg. PHMS, and M6-1.0 Nylock Nuts.
- Tighten Roof (Front and Rear) and Bracket hardware completely.



Align Roof to machine and tighten Clamp hardware completely.



Roof Cleaning:

- Do not use window cleaning fluids (Windex, 409, etc) or any solvents (gasoline, denatured alcohol, acetone, etc).
 - Never use abrasive cleaners, abrasive pads, or gritty cloths.
 - Never use razor blades, scrapers, squeegees, brushes, etc.
1. Thoroughly rinse Roof to float off dirt and mud.
 2. Using a soft cloth, or microfiber cloth, clean Roof with warm water and a gentle detergent. Baby shampoo or hand washing soap are recommended.
 3. To prevent water spots, use a chamois to blot Windshield dry.