



1-888-571-9193
www.HeatDemon.com



Instructions for UTV Heated Steering Wheel Kit

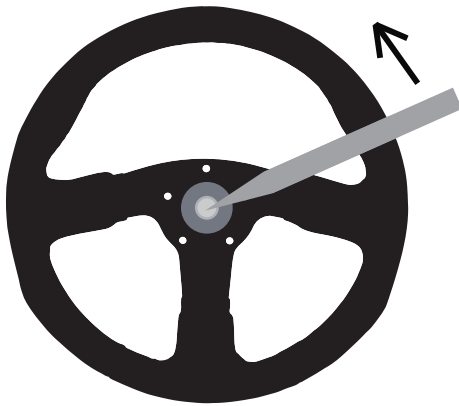
Part Number: 210210

Items Required for Installation

- Allen Wrench (Included)
- Drill with a 13/16" Bit
- Additional items may be required; consult your model's service manual.

Need installation help? Call us at (888) 571-9193 or visit [YouTube.com/HeatDemon](https://www.youtube.com/HeatDemon) for instructional videos.

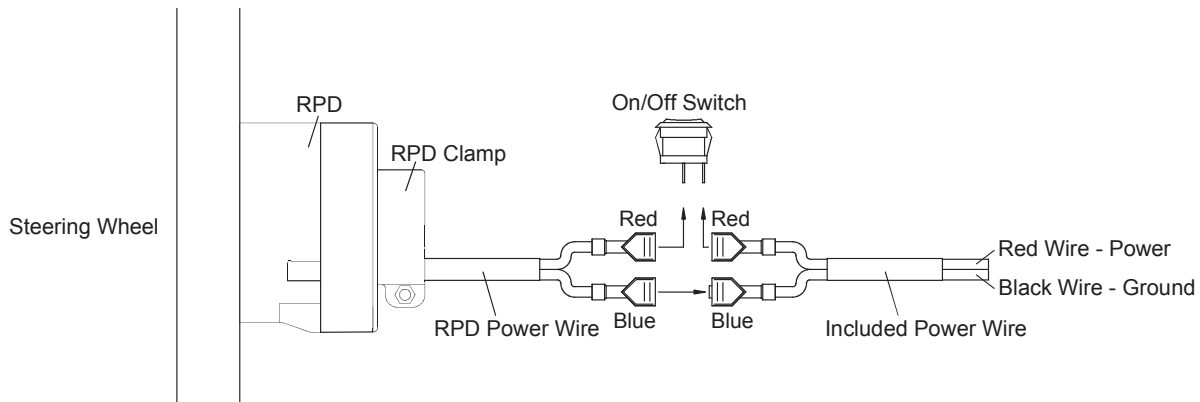
Stock Steering Wheel Removal



1. Turn the stock steering wheel so the tires are straight. Make note of the orientation of the stock steering wheel, which will help align the heated steering wheel.
2. Remove the stock steering wheel and nut according to your model's service manual.

Note: Keep the stock steering wheel nut for installing the heated steering wheel.

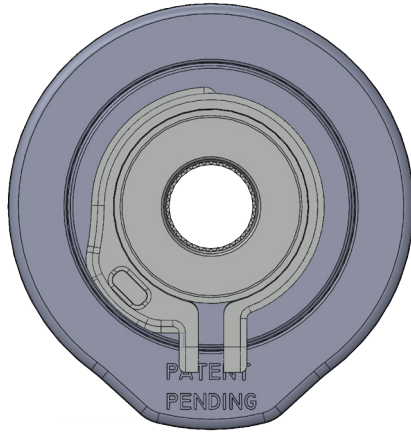
Heated Steering Wheel Installation



1. Disconnect the battery leads, negative first.
2. Remove the included center cap from the heated steering wheel by pushing from the inside, through the hole in the rotational power device (RPD).
3. Place the heated steering wheel with RPD onto the steering column using all stock spacers. Do not fully tighten the RPD clamp.
Note: For Arctic Cat models, if necessary, place the included neoprene spacer on the inside of the RPD clamp.
4. Make sure the heated steering wheel is straight and the white sticker on the RPD faces the ground.
5. Install the stock steering wheel nut and tighten according to your model's service manual.
6. Tighten the RPD clamp and remove the sticker.
7. Snap in the included center cap, making sure not to pinch any wires.
8. Route the RPD wire down the steering column, using cable ties as necessary.
9. Drill a 13/16" hole for the on/off switch, making sure it is within reach of the 25" RPD wire.
10. Connect the red connector from the RPD to the top pin of the on/off switch.
11. Connect the red connector from the included power wire to the bottom pin of the on/off switch.
12. Place the on/off switch into the hole. Make sure that the tabs click into place, holding the switch tight.
13. Connect the female blue connector from the RPD to the male blue connector from the included power wire.
14. Connect the black wire from the included power wire to ground.
15. Connect the red wire from the included power wire to an accessory line for keyed power, or run to an accessory relay.
16. Reconnect the battery leads. With the vehicle and switch on, you should start to feel heat in approximately 5-10 minutes.

Note: Make sure to leave necessary slack for a model with tilt.

RPD Rewind



Note: Only rewind the RPD if you have previously installed the heated steering wheel or removed the white RPD sticker before instructed.

1. Rotate RPD back clamp (light gray) all the way to the right, or clockwise, until the clamp can no longer rotate.

Note: Do not over rotate the RPD; this can damage the internal wiring.

2. Rotate the RPD back clamp back to the left, or counter-clockwise, two full turns. Set so the open portion of the clamp is facing down (during installation).
3. Tape can be used to hold the clamp in place during installation. Be sure to remove the tape once the RPD is re-installed and ready for use.

Warranty & Damage

This Heat Demon product has a five year limited warranty.

The warranty does not cover:

- Products worn by use;
- Tampering or misuse of the product, including operation outside of design specifications;
- Damages made to products installed incorrectly, including shorting or pinched wires;
- Damages caused by crashes or natural disasters.

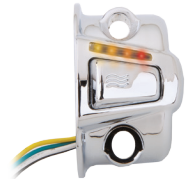
Because Heat Demon does not have any control over the connection and use of the product, or any other related electronics, no liability will be assumed nor accepted for damage resulting from the use of the product. In no case shall liability exceed the product's original cost.



Steering Wheel



Seat Heaters



Grip Heaters



Visit www.HeatDemon.com for more Heat Demon products.