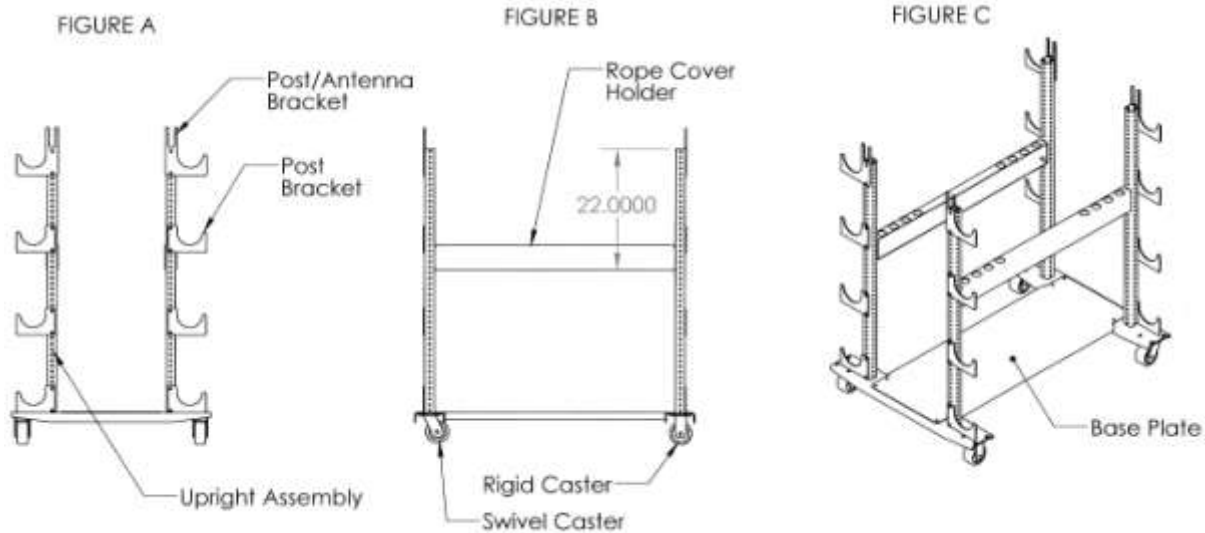


Volleyball Storage Cart **“The Mule”**
 Assembly Instructions



BILL OF MATERIALS

- (2) UPRIGHT ASSEMBLY
- (1) BASE PLATE
- (2) ROPE COVER HOLDER
- (4) POST/ANTENNA BRACKET
- (8) POST BRACKET (note 2 additional are welded to each UPRIGHT ASSEMBLY)
- (2) RIGID CASTER
- (2) SWIVEL CASTER
- (24) 3/8" x 1 1/4" HEX BOLT
- (32) 3/8" x 2 1/2" HEX BOLT
- (48) 3/8" FLATWASHER
- (56) 3/8" LOCKWASHER
- (56) 3/8" HEX NUT

Cross check items against bill of materials. If any parts are short, please contact First Team customer service immediately at 1-888-884-6677.

1. Using (4) 3/8"x 1 1/4" hex bolts, (8) 3/8" flatwashers, (4) 3/8" lockwashers and (4) 3/8" hex nuts attach the BASE PLATE to one of the UPRIGHT ASSEMBLY units as shown in figure C. It is best to orient the UPRIGHT ASSEMBLY so POST BRACKETS that are welded to the bottom of the assembly are facing outward (see figure A).

2. Repeat step 1 attaching the second UPRIGHT ASSEMBLY to the BASE PLATE.

3. Using (4) 3/8"x 1 1/4" hex bolts, (8) 3/8" flatwashers, (4) 3/8" lockwashers and (4) 3/8" hex nuts attach (2) SWIVEL CASTER to one of the UPRIGHT ASSEMBLY as shown in figure A, B & C. TIP: It may be helpful to turn the entire assembly upside down to complete steps 3 & 4.

4. Using (4) 3/8"x 1 1/4" hex bolts, (8) 3/8" flatwashers, (4) 3/8" lockwashers and (4) 3/8" hex nuts attach (2) RIGID CASTER to the other UPRIGHT ASSEMBLY as shown in figure A, B & C.

(turn assembly right-side-up if needed)

5. Using (4) 3/8"x 2 1/2" hex bolts, (4) 3/8" lockwashers and (4) 3/8" hex nuts attach (1) ROPE COVER HOLDER to the UPRIGHT ASSEMBLY units (holes up). Be sure to attach the ROPE COVER HOLDER approximately 22" down from the top of the UPRIGHT ASSEMBLY as shown in figure B.

6. Repeat step 5 for opposite side.

7. Using (8) 3/8"x 2 1/2" hex bolts, (8) 3/8" lockwashers and (8) 3/8" hex nuts, attach the (4) ANTENNA/POST HOLDER brackets to the top of the UPRIGHT ASSEMBLY units as shown in figure A.

8. Using (16) 3/8"x 2 1/2" hex bolts, (16) 3/8" lockwashers and (16) 3/8" hex nuts, attach the (8) POST HOLDER brackets to the UPRIGHT ASSEMBLY units as shown in figure A. Space brackets evenly between making sure each POST HOLDER bracket aligns with its companion bracket at the other end of the cart.

ASSEMBLY OF YOUR "MULE" VOLLEYBALL CART IS COMPLETE.