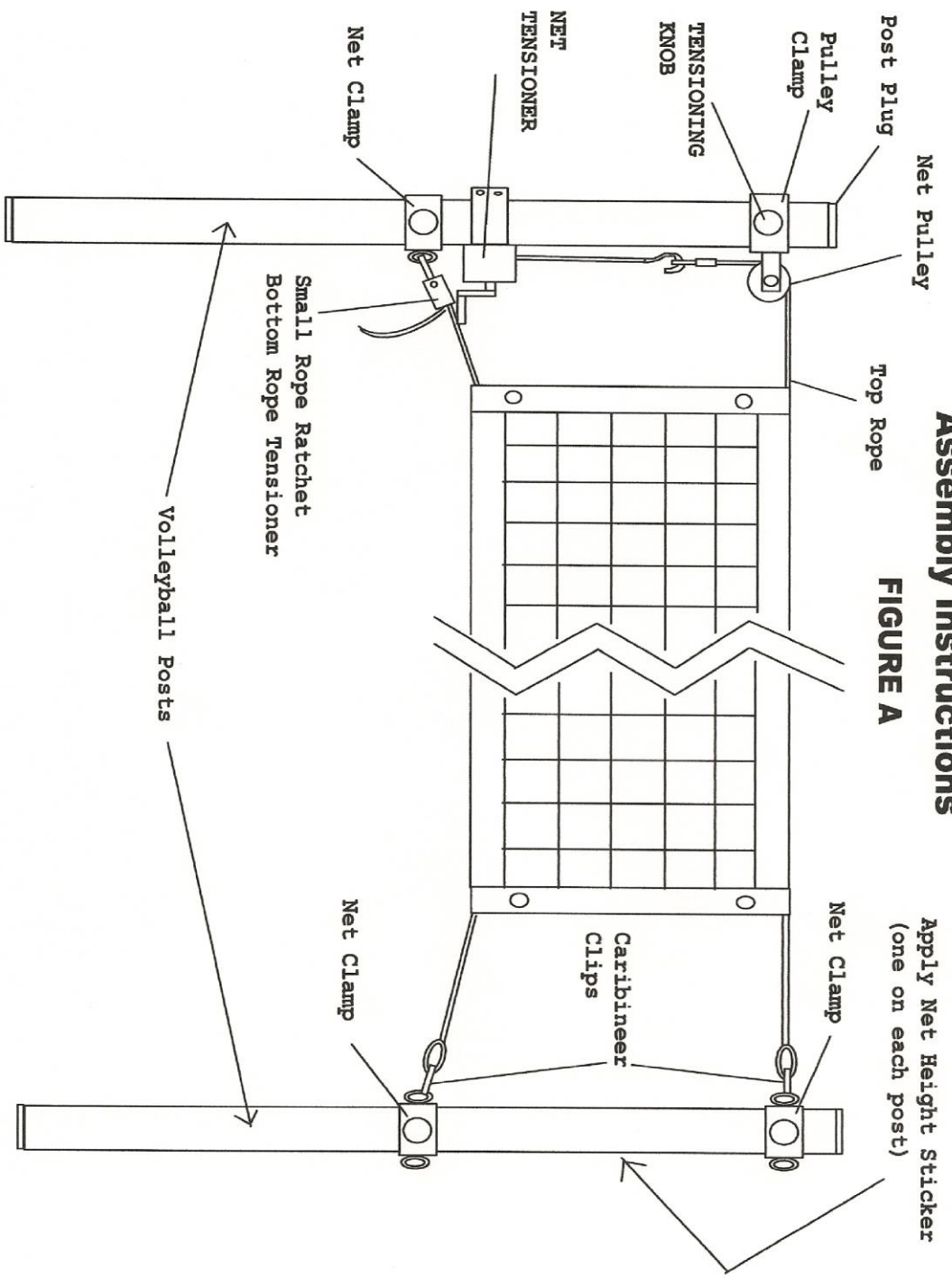


FIRST TEAM SPORTS, INC.

Stellar Recreational Volleyball System

Assembly Instructions

FIGURE A



Apply Net Height Sticker
(one on each post)

First Team Sports, Inc.

Stellar Recreational Volleyball System

BILL OF MATERIALS

A	2	Volleyball Vertical Post	K	1	½" Centerlock Nut
B	2	Height Labels	L	2	Carabiner Clip
C	3	Net Clamp	M	1	½" x 2" Hex Bolt
D	1	Pulley Clamp			
E	4	Tensioning Knob			
F	1	Net Tensioning Crank			
G	1	Small Rope Ratchet			
H	1	Net Pulley			
I	1	Volleyball Net			
J	4	Post Plug			

NOTE: The above bill of materials applies to the volleyball system itself. Additional components may be included with your order such as floor sockets, antennas, padding or judges stand. Bill of materials and installation instructions are included with any additional products provided with your order.

Inspect all contents prior to installation. Report any missing parts to First Team customer service immediately, 1-888-884-6677.

READ ALL INSTRUCTIONS BEFORE PROCEEDING!

-
1. Remove Volleyball Posts from packing.
 2. Locate and identify the "Vertical Posts." Measure 10" from either end of each Vertical Post and make a mark using a marker. This will serve as a depth gauge to bury post in concrete. Also, using a rubber mallet, pound (1) POST PLUG into top and bottom of both VERTICAL POST.
 3. Using the "Court Diagram" provided, locate the proper location for both volleyball posts.

ATTENTION!! ATTENTION!! ATTENTION!!

If your installation involves the installation of either floor sockets or ground sleeves, YOU MUST FIRST UNPACK AND FOLLOW THE INSTALLATION INSTRUCTIONS FOR THOSE PARTS. DO NOT PROCEED UNTIL FLOOR SOCKETS ARE PROPERLY INSTALLED. Once complete you may skip to step #10 to complete set up. All others continue with step 4 below.

4. Dig a 36" deep by 20" diameter hole at both post locations. Be sure to bell out the bottom 12" of the footing for added stability.
5. In the next few steps you will need a Level. The 36"x 20" footing will require approximately 1/3 yard of 3000 psi concrete (18-20 60# sacks of premix concrete). More will be needed if you dig a

larger hole. Make certain you have enough to finish the job. Allowing a portion of the footing to dry while you purchase more concrete will weaken the footing.

6. Mix the concrete according to the instructions on the bag. It is better to mix it slightly too wet than too dry. Fill ONE of the holes full to ground level with as little time between batches as possible.
7. Insert VERTICAL POST into wet concrete until 10" mark on post is even with top of footing concrete.
8. Use your level to make certain the vertical post is straight and plumb. Brace post if necessary until concrete begins to set up.
9. REPEAT STEPS 6 THROUGH 9 FOR OTHER POST.

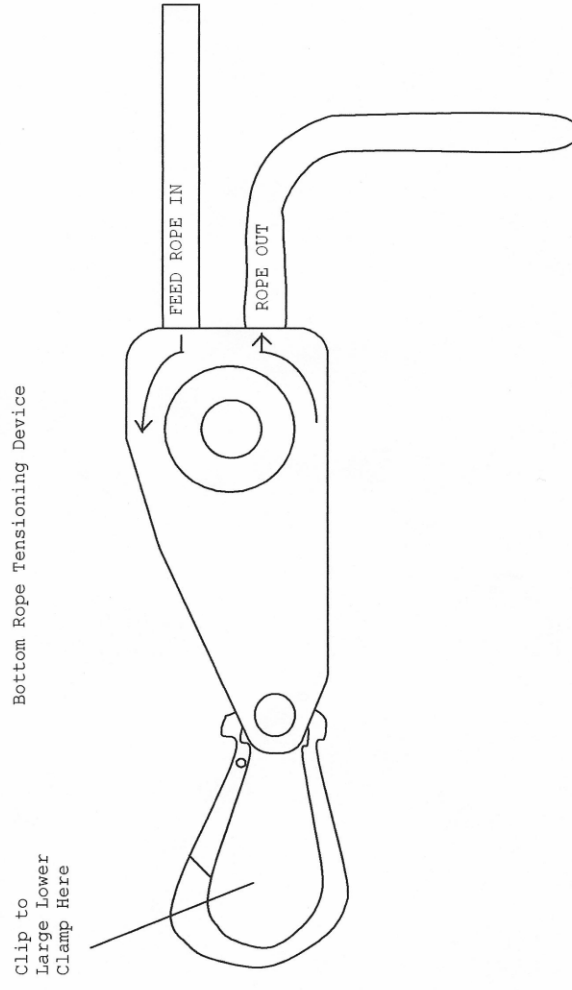
STOP HERE! Allow both footings to cure for seven days before proceeding. It is advisable to temporarily place the (2) post caps provided on top of both vertical posts to prevent rain for collecting inside the posts during cure time.

10. Next, attach Net Pulley to Pulley Clamp using (1) ½"x 2" Hex bolt and centerlock nut provided.
11. First slide one Net Clamp and then one Pulley Clamp onto one of the vertical posts. On the other vertical post, slide two Net Clamps. See Figure A.
12. Screw the (4) Tensioning Knobs into the threaded hole located at the side of each Net Clamp and Pulley Clamp. Tensioning Knobs are used to hold clamps in position while net tension is loose.
13. Position the top PULLEY CLAMP and top NET CLAMP at the approximate net height you desire. Tighten tensioning knobs to secure clamps in place. See Court Diagram for Men's and Women's net heights. Then position the lower Net Clamps approximately 42" below the Pulley Clamp and top Net Clamp, tighten knobs.
14. Next, attach NET TENSIONING CRANK to the vertical post that has the NET PULLEY at the top. Position the crank so it faces to the inside as shown in Fig. A. Use attachment hardware provided with the NET TENSIONING CRANK. NOTE: The NET TENSIONING CRANK should be installed approximately 2" above the lower NET CLAMP
15. Unpack Volleyball Net. Lay net out flat on the floor. Notice that the ropes are different lengths. The TOP of the net is the side with the SHORTER rope, called the TOP ROPE. Your TOP ROPE should have a loop at each end. The BOTTOM ROPE should be longer than the top and should have only one loop. Slide dowels into side tape pouches.
16. Attach (2) Carabiner Clips to the end of the net that has a loop at the top and at the bottom.
17. Next, using the Carabiner Clip, attach the TOP ROPE to the top Net Clamp at the top of the Post as shown in Figure A.
18. Drape the other end of the TOP ROPE over the Net Pulley at the top of the other post and connect it to the hook at the end of the strap on the NET TENSIONER CRANK .
19. Attach looped end of the BOTTOM ROPE to the Lower Net Clamp using the Carabiner Clip.

20. Locate the Small Rope Tensioner. Thread BOTTOM ROPE through Rope Tensioner as indicated on the tensioner's plastic casing, or see Figure B.
21. Connect SMALL rope tensioner to lower Net Clamp.
22. Tension TOP ROPE by turning crank handle on NET TENSIONER. When tension is sufficient, tighten the SMALL ROPE RATCHET as well. NOTE: The SMALL rope ratchet need NOT be tensioned to the same degree as the LARGE. (About $\frac{1}{2}$ - $\frac{3}{4}$ tension is adequate)
23. Next, measure net height in the middle of the net. Remove tension from net and adjust all four clamps as necessary until proper net height is achieved.
24. Peel and apply the Net Height Labels to the "OUTSIDE" of both posts lining up the appropriate height increment with the bottom edge of the upper Net Clamp or Pulley Clamp.
25. Attach Post Pads, Rope Covers and Net Antennas if provided.

**Volleyball Systems
Assembly Instructions**

FIGURE B



Volleyball Court Diagram

Net Height
7' 11 5/8" Men
7' 4 1/8" Women

