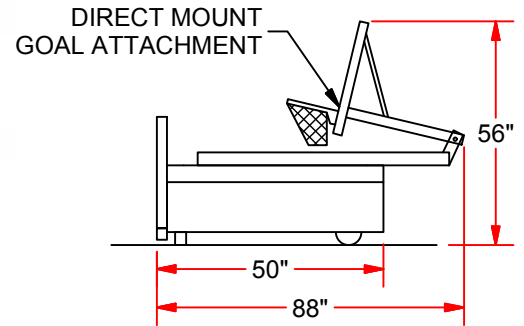


# PBB-200

## ADJUSTABLE / PORTABLE BACKSTOP SYSTEM

**48"**  
*Extension*



BACKSTOP SHOWN FOLDED IN TRANSPORT / STORAGE POSITION

Face of Bank to Pad Setback:

- @10' ~ 48"    @9' ~ 44"
- @8' ~ 40"    @6'-6" ~ 33"

Specifications:

- \*Ballast Weight (Customer Supplied): 350 Lbs
- \*Backboard Size: 32" X 48" X 3/8"
- \*Goal Type: Direct Mount Breakaway Goal.
- \*Optional Edge Pad: Black
- \*Wheels: Precision Bearing Casters, Non-marking

Features:

- \* No tools required for the fully collapsible unit to pass through a doorway without disassembly.
- \* Easy one-person setup & height adjustment.
- \* E-Z glide height adjustment for smooth height settings from 6'-6" to 10' for alternate playing heights.
- \* Rust resistant powder coated finish.

Pad Colors: (Please Specify)

- O Scarlet Red    O Royal Blue
- O Black            O Kelly Green

REV.	DESCRIPTION	DATE	BY

**PBB-200  
PORTABLE BACKSTOP  
WITH 48" EXTENSION**



FAX: 860.444.1779 (SALES)  
860.440.0628 (ENG.)

PHONE: 800.243.0533 (TOLL FREE)  
860.447.3001 (LOCAL)

JAYPRO SPORTS, LLC, 976 HARTFORD TURNPIKE, WATERFORD, CT 06385 USA

DRAWING NAME / PART NUMBER: <b>PBB-200</b>	
DRAWN BY: Moune T.	ISSUE DATE: 5/12/2010
CHK'D BY: WVB	CHK'D DATE: 5/13/2010
SHEET: 1 OF 1	REV. -

COPYRIGHT 2006  
JAYPRO SPORTS, LLC.  
ALL RIGHTS RESERVED

THIS PRINT IS THE PROPERTY OF JAYPRO SPORTS, LLC.  
AND MAY NOT BE REPRODUCED WITHOUT WRITTEN PERMISSION