

GARED

Gared Pro Portable Backstop

Models: 5016, 5017, & 5018



Installation, Operation and Maintenance Instructions

Please read all instructions before attempting installation or operation of these units

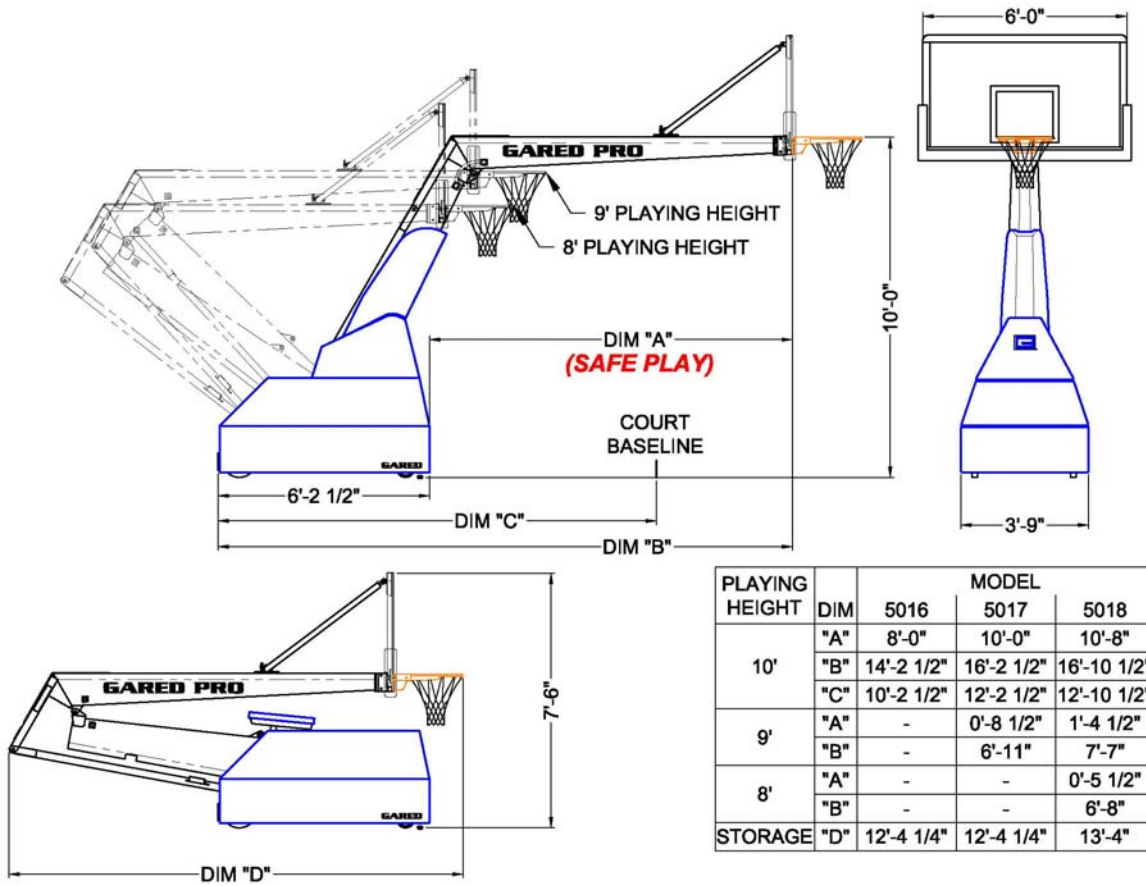
SAVE THESE INSTRUCTIONS FOR FUTURE USE

**PUBLICATION No.
5 5 1 7 5 4 4 3 6**



Gared Pro Portable Backstop

BASIC DIMENSIONS



PLAYING HEIGHT	DIM	MODEL		
		5016	5017	5018
10'	"A"	8'-0"	10'-0"	10'-8"
	"B"	14'-2 1/2"	16'-2 1/2"	16'-10 1/2"
	"C"	10'-2 1/2"	12'-2 1/2"	12'-10 1/2"
9'	"A"	-	0'-8 1/2"	1'-4 1/2"
	"B"	-	6'-11"	7'-7"
8'	"A"	-	-	0'-5 1/2"
	"B"	-	-	6'-8"
STORAGE	"D"	12'-4 1/4"	12'-4 1/4"	13'-4"



Gared Pro Portable Backstop

Table of Contents

<u>Section</u>	<u>Page No.</u>
Introduction	2
Cautions and Warnings	3
Parts Checklist	4
Assembly and Setup	6
Unit Operation	12
Maintenance	13



Gared Pro Portable Backstop

Introduction

Thank you for your purchase of a Gared Sports model Gared Pro Portable backstop. To ensure that our equipment will provide years of use to you, we are including this installation, operation, and maintenance guide. This guide will provide information on the proper assembly and installation methods, operating procedures, and preventative maintenance of your portable backstop.

Please note that a Bill of Materials is being included with this guide. Please check that all of the parts called out on the Bill of Materials are present prior to beginning assembly and setup. Please do not substitute for factory parts. Please contact the Gared Sports customer service department and allow them to determine if substitute parts are acceptable.

It is recommended that an individual who has been properly trained perform assembly and set up of the backstop. No one under the age of 18 should attempt assembly or set up of the unit, unless properly supervised.

To prevent normal wear and tear from shortening the life of the unit, preventative maintenance inspections and repairs should be performed at least once per year. If the units are subject to high or unusual usage, inspections should be scheduled to occur more frequently. If items are found to be nonconforming, replacements can be ordered from Gared Sports or one of our authorized dealers. When contacting Gared Sports, please have information regarding the dealer/installer who sold the unit, the name of the project, and any applicable warranty information.



Gared Pro Portable Backstop

Read and understand the following warnings to prevent possible personal injury and potential damage to the equipment during assembly, setup, and operation.

⚠ DANGER

DO NOT CLIMB ON GOAL, BANKBOARD OR BACKSTOP.

THIS UNIT IS DESIGNED FOR A SPECIFIC OPERATING WEIGHT AND THE ADDED WEIGHT COULD CAUSE DAMAGE AND/OR SERIOUS INJURY TO PERSONNEL.

2036-31-00

⚠ WARNING

DO NOT REMOVE SHIPPING BRACE BEFORE INSTALLING BACKBOARD AND GOAL. REMOVING BRACE WITHOUT BACKBOARD INSTALLED COULD RESULT IN SERIOUS PERSONAL INJURY AND/OR DAMAGE TO UNIT.

126453732

⚠ WARNING

REAR ANCHOR POINT MUST BE ATTACHED TO FLOOR ANCHOR AND FRONT LEVELING PADS MUST BE ON THE FLOOR WITH ALL WEIGHT OFF THE FRONT SWIVEL CASTERS BEFORE UNIT CAN BE USED FOR PLAY.

126453733

⚠ WARNING

Discontinue Power While Lowering Unit Prior To Contact With REST. Permanent Structural Damage Could Result With Continued Power Beyond Point of Contact.

124252802

⚠ WARNING

SAFETY BOLT MUST BE INSTALLED DURING USE, AND REMOVED PRIOR TO LOWERING UNIT

124252803

⚠ WARNING

SAFETY PIN MUST BE INSTALLED DURING USE, AND REMOVED PRIOR TO LOWERING UNIT.

126453736

⚠ CAUTION MOVING PARTS! KEEP HANDS, ARMS, BODY CLEAR DURING OPERATION

124252799

⚠ CAUTION

KEEP PERSONNEL AWAY FROM FRONT AND REAR OF UNIT WHILE RAISING OR LOWERING THE BACKBOARD

126453737

⚠ CAUTION

DO NOT STAND OR SIT ON UNIT DURING OPERATION

126453735

⚠ CAUTION

ALWAYS LOWER BACKBOARD TO FULL DOWN POSITION BEFORE ATTEMPTING TO MOVE THE UNIT.

126453740

Before proceeding with assembly, **read all instructions and assembly procedures**. Make sure all parts have been received and are not damaged.



Gared Pro Portable Backstop

Parts Checklist

Verify all parts listed on packing list are present prior to installation.

The following parts have been packed separately

Because these units can use a variety of backboards and goals, the specific part number is not referenced in the table. Please refer to your packing slip to verify the correct board and goal has been received.

Item	Part Number	Description	Qty
1	Refer to Packing List	Backboard	1
2	Refer to Packing List	Goal	1
3	9-73-FPAD	Front Base Pad	1
4	9-73-SPAD - LH	LH Base Pad	1
5	9-73-SPAD - RH	RH Base Pad	1
6	9-73-AFCP	A-Frame Pad	1
7	9-73-GPWP	Wing Pad	1
8	9-73-MPAS	Mast Pad	1
9	9-73-BPAD	Boom Pad	1
10	556453270	Backboard Brace Clamp	1
11	556453272	Backboard Brace	1
12	556453273	Backboard Brace Attachment Bracket	2
13	556453576	Quick Change Backboard Bracket	1
14	9-73-PLTE	Floor Plate	2
15	9-73-PLNG	Plunger End	2
16		Floor Cover Caps	2
17	3005-15-05	Rear Anchor Tie Down Bolt	1
18		Keys	2
19	551754436	Instruction Manual	1
20	101653939	Quick Change Locking Rod	1
21	6380-11-00	Hitch Pin Clip 1/8" Diameter	2
22	111084108	Clevis Pin 3/8" x 1-1/8"	2
23	111094109	Hitch Pin Clip 3/32" Diameter	2
24	296-6-16	#6 Wood Screw	8
25	225-4-20-12Z	1/4-20 x 3/4 Flathead Machine Screw	2
26	502-16-8-32	1-8 x 2 Hex Bolt	1
27	501-6-16-64	3/8-16 x 4 Carriage Bolt	2
28	561-16	1" Flat Washer	1
29	501-6-16-16	3/8-16 x 1 Carriage Bolt	4
30	548-6-16	3/8-16 Whiz-Lock Nut	6
31			
32			
33	See Packing List	Rear anchor Floor Insert	1
34			
35		Round Leveling pad for initial set-up only	2
36		Round centering disk for initial set-up only	1

Contact Gared Customer Service at 800-325-2682 for assistance with replacement of any parts missing or damaged.



Gared Pro Portable Backstop

INSTALLATION INSTRUCTIONS

Suggested Tools Required:

- Adjustable wrench with 1-1/8" to 1-12' capacity
- 1/2" wrench and socket
- 9/16" wrench and socket
- 3/4" wrench
- #2 Phillips screw driver
- Flat blade screw driver
- Allen wrench set
- Two plumb bobs with string
- Bubble type level
- Tape measure
- Hand drill
- Router
- Masking tape
- Pencil

See Installation Instruction for Rear Floor Insert (item 33) for additional tools.

Item numbers noted throughout these instructions refer to the parts listed in the parts check list on page 4.

Unpack all parts and check for damage or missing items.

IMPORTANT NOTE:

Before proceeding to the next step, make sure at least three individuals are available to assist with the mounting of the backboard to the unit. A minimum of two, preferably three, individuals is required for safe assembly of the backboard to the unit.

1. Position the Quick Change Backboard Bracket (item 13) to the back of the board and install a 3/8-16 x 1" bolt with lock washer and flat washer in the lower two holes of the mounting plate and into the two tapped insert holes of the LXP backboard as shown in figure 2 on the next page. Tighten these bolts securely.
2. Using the hardware supplied with the goal, insert the two carriage bolts through the top goal mounting holes on the backboard and loosely install the nuts and washers on the back side of the board. Slide the goal over the carriage bolt heads and over the studs on the front of the board. Install the flat washer, lock washer and nuts on the studs and tighten securely. Tighten the two top carriage bolts securely.



Gared Pro Portable Backstop

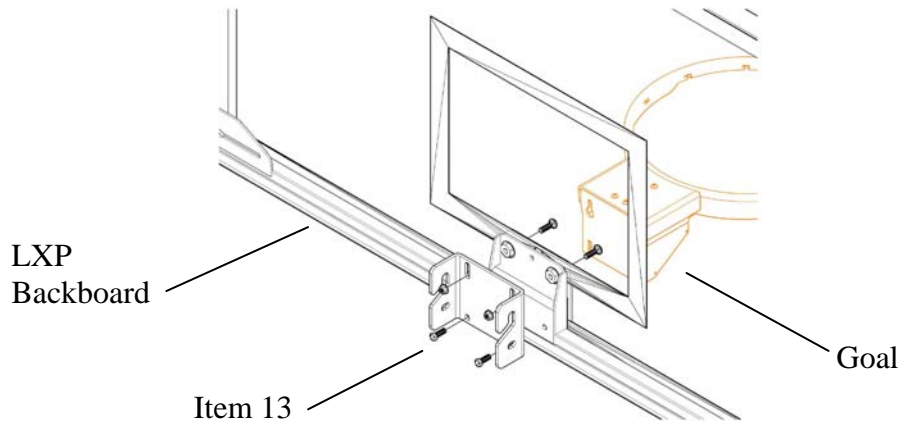


Figure 2

3. Attach the backboard brace brackets (item 12) to the top corners of the backboard as shown in figure 3. Use the 3/8-16 x 1" carriage bolts with whizlock nuts for this assembly.

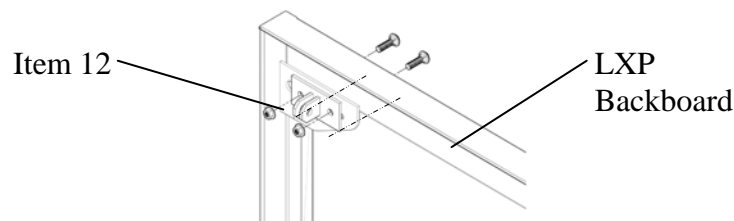


Figure 3

4. Position the backboard with the slots of the Quick Change bracket onto the pins of the bracket on the main boom as shown in figure 4. Slide the board assembly completely onto the pins and insert the Quick Change Locking Rod (item 20) through the slots and holes in the board and boom brackets. Secure the locking rod with the Retaining clips (item 21).

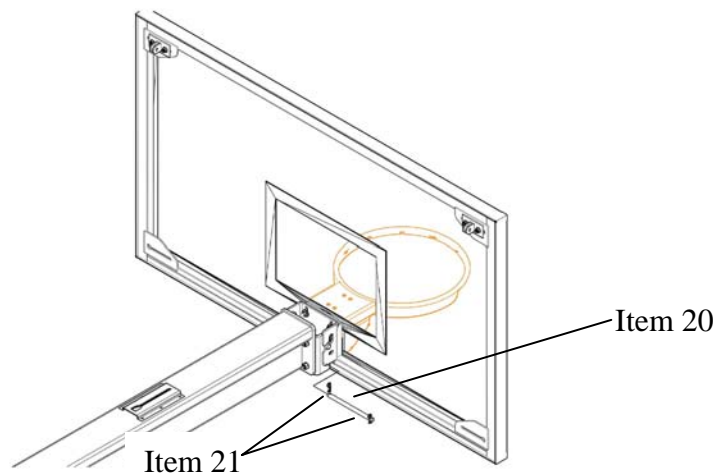


Figure 4



Gared Pro Portable Backstop

5. Attach the Backboard brace yoke (item 11) to the brackets installed in step 7 using the Clevis Pins (item 22) and Retainer Clips (item 23) as shown in figure 5.
6. Position the backboard brace clamp (item 10) over the yoke and yoke attachment plate on the boom as shown in figure 5. Secure the clamp with two 3/8-16 x 2-1/4" carriage bolts and whizlock nuts.

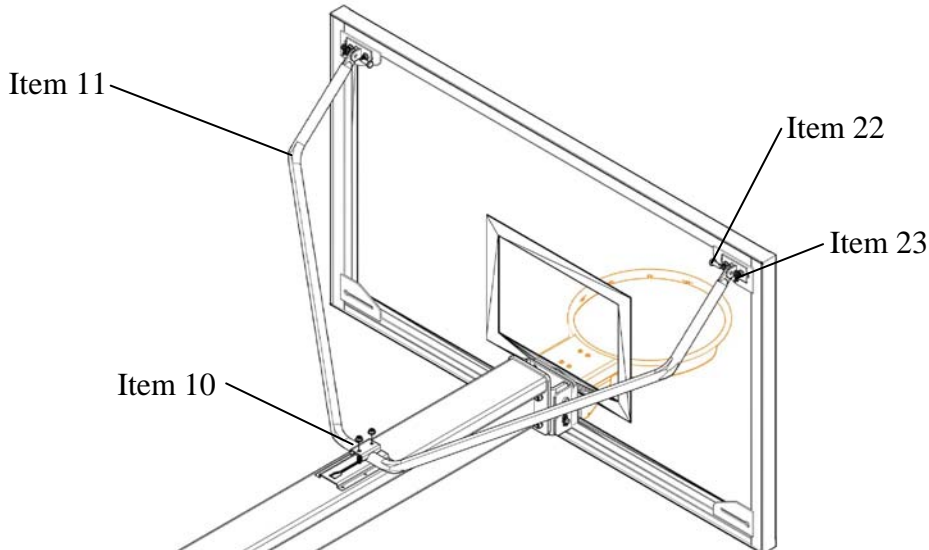


Figure 5

7. Using masking tape and pencil, Mark the location of the center of the court 4'-0" from the inside edge of the court baseline (refer to figure 6). From this center mark, establish a mark 3'-0" to the left and another mark 3'-0" to the right. These marks will be used to align the face of bank to the court.

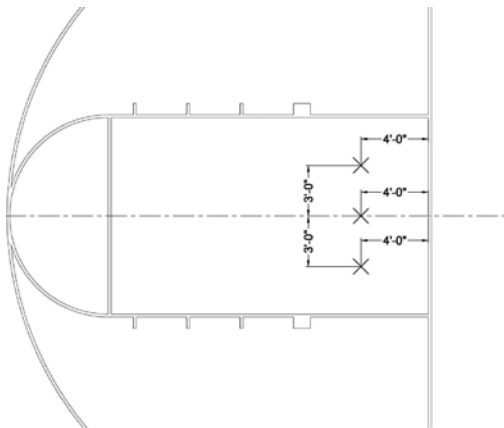


Figure 6

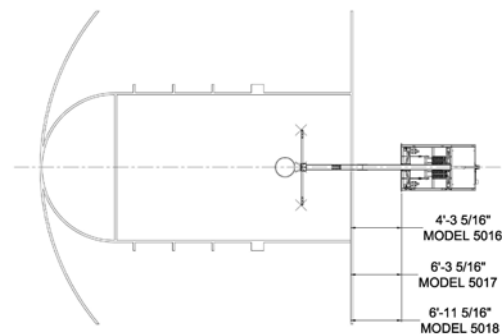


Figure 7

8. Push the unit to the playing location on the court. The unit should be centered on the centerline of the court as shown in figure 7.



Gared Pro Portable Backstop

9. From the inside edge of the court baseline to the center of the locator jack pins should be about 4'-3-5/16" for the model 5016, 6'-3 5/16" for the model 5017, and 6'-11 5/16" for the model 5018.
10. Install the round flat leveling pads (supplied for set-up only) on the toggle clamp ends. Connect the unit to an electrical source (floor outlet or extension cord) and raise the boom to the 10'-0" playing position.
11. Check the 10'-0" goal height at the base of the goal. Adjust the leveling pads to obtain 10'-0" measurement, making sure each pad is raised or lowered evenly.
12. The Gared Pro was pre-set prior to delivery. However, some minor adjustments may be necessary. Minor adjustments to the playing height may be made with the forward toggle clamp screws. For larger adjustments, follow the following procedure:
 1. Remove all tension from the "A" frame support.
 2. Raise or lower the goal by adjusting the lower end of the back channel (Note: make sure the safety bolt has been removed from the back channel for these adjustments) until the 10' playing height is achieved.
 3. Re-tighten the "A" frame until tension is applied.
 4. Retighten all lock nuts securely.



13. Attach plumb bobs to the front corners of the backboard. Plumb bobs should hang down from the corners to where they are almost touching the floor.
14. Check plumb bobs with marks that were located in step 12. If the plumb bobs do not line up exactly with the marks on the floor, adjust the location of the unit accordingly.
15. Once the unit is relocated and the plumb bobs are exactly on the marks located in step 12, recheck all dimensions to make sure the 10'-0" playing height is correct and the face of the backboard is 4'-0" in front of the court baseline.
16. Trace a circle around the leveling pads on the floor. After unit is lowered and moved, find the center of these circles on the floor using the round centering disk supplied and mark this location on the floor.
17. Locate the center of the rear anchor on the floor and mark this location on the floor.
18. Lower the unit and move it out of position to make room for installing the floor plates and rear anchor into the floor.



Gared Pro Portable Backstop

19. Center punch the exact center of all three locations marked on the floor in the previous steps.
20. Position the center of the router template for the floor plates on the center of one of the marks made for the plunger ends. Secure the template and rout out the floor to accept the floor plate. Note: The floor plates require two different diameters at two different depths. Make sure to measure these depths and diameters before beginning the operation.



21. Repeat this step for the other front cover plate.
22. Refer to the installation instructions for the rear floor anchor found in the package of the floor insert and install the insert into the floor. This insert is to be installed at the rear anchor location marked on the floor in step 16.
23. Drill a clearance hole for the rear anchor shank and rout the plate to the correct depth and diameter.
24. Secure the floor plates and rear anchor plate with the wood screws provided.
25. Finished assembly of plates and rear anchor should look like the following photos.



26. Move the unit back into position. Lower the toggle locks to engage the floor plates and fully snap the locks into position. Install the rear anchor into the floor anchor plate and tighten.
27. Raise the unit to the playing position.



Gared Pro Portable Backstop

28. Check for proper alignment and for correct 10' playing height of the rim.
29. Once the 10' playing height has been set, the backboard should be checked and adjusted for plumb and level.
30. To level the backboard in the horizontal plane, loosen the four 1/2" bolts and the one 3/4" bolt in the center of the Quick Change Bracket attached to the boom. Refer to figure 10. Level the board and tighten all bolts securely.

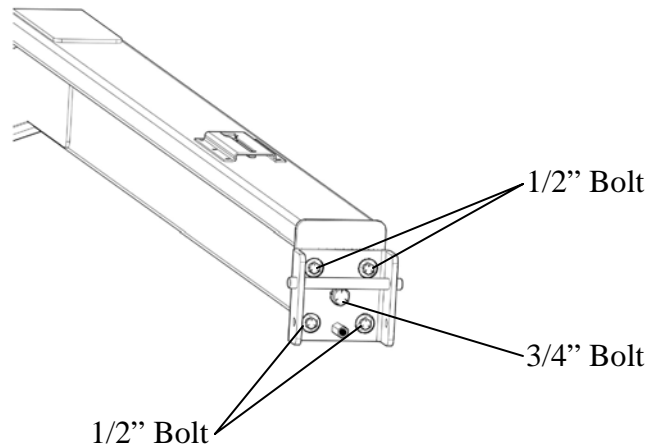


Figure 10

31. To level the backboard in the vertical plane, loosen the two carriage bolts at the board brace clamp on top of the boom. Refer to Figure 11. Using a 3/4" wrench, adjust the leveling bolt in the board mounting bracket until the backboard is plumb. Tighten the locking nuts on the leveling bolt. Tighten the two carriage bolts at the brace clamp and the two carriage bolts at each corner bracket securely.

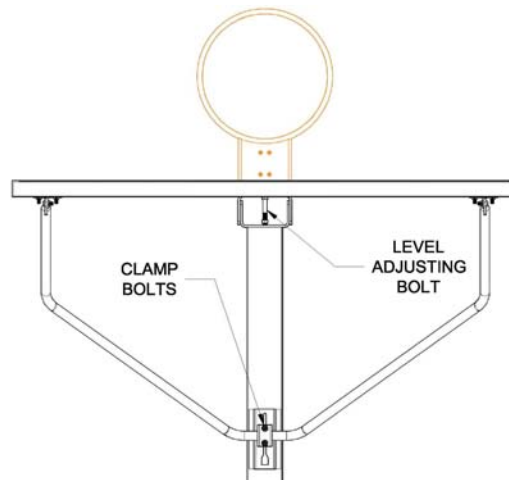


Figure 11

20. Remove the safety bolt from the rear channel and lower the unit to the full down position.
21. Attach the backboard padding to the backboard. Attach the horizontal boom pad to the boom just behind the backboard.
22. Raise the unit to the playing position and insert the safety bolt into the rear channel.
23. Install the Mast pad to the front Mast using the Velcro straps.



Gared Pro Portable Backstop

24. Install the A-Frame pad to the A-Frame using the Velcro straps.

25. Attach the front base pad to the unit using the Velcro straps.

26. Install the side pads by positioning the Velcro Straps over the frame rails.

The Unit is now ready for competition.



Gared Pro Portable Backstop

Operation

1. Before operating the unit, read all caution, warning, and information labels.
2. To raise the unit from the stored position.
 - a. Make sure the unit is connected to an electrical power supply.
 - b. Make sure the rear floor anchor bolt is installed and secured to the floor anchor insert.
For 220/230 VAC and International Voltages:
 - c. Pull the Up/Down toggle switch to the “Up” position.
 - d. Hold the momentary “On” switch to the “On” position until the unit is fully raised to the playing position.
For 120VAC Voltages:
 - e. Insert the key switch and turn to the “Up” position
 - f. Install the safety bolt into the back channel and tighten securely.
3. To lower the unit from the playing position.
 - a. Make sure the unit is connected to an electrical power supply.
 - b. Remove the safety bolt from the back channel.
For 220/230 VAC and International Voltages:
 - c. Pull the Up/Down toggle switch to the “Down” position.
 - d. Hold the momentary “On” switch to the “On” position until the unit is fully raised to the playing position.
For 120VAC Voltages:
 - e. Insert the key switch and turn to the “Down” position
 - f. Roll the unit to the Storage facility.

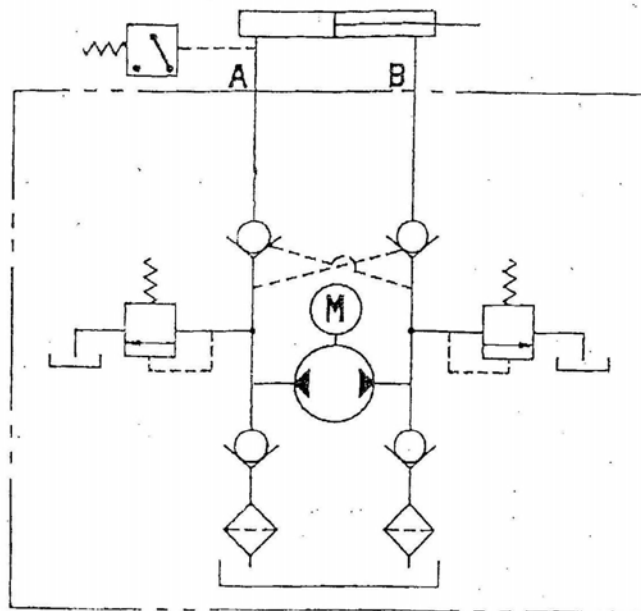


Gared Pro Portable Backstop

Maintenance

1. General inspection of equipment when used should be performed to ensure no catastrophic failures have occurred during the course of use between yearly inspections.
2. It is recommended that yearly inspections be conducted to determine if any bolts or other hardware has become worn or loosened.
3. During yearly inspections, check all joints to make sure they are tight and secure. Check all hydraulic hoses and connections for leaks.
4. Check the board and goal mounting bolts to make sure they are tight. Check the net for wear.
5. Any loose bolts or nuts should be tightened.
6. Replace any components that are missing or worn.

Hydraulic Schematics



Bi-directional Pumps

These pumps are driven by reversible motors and are used primarily to power double-acting cylinders in both directions. Locking checks, which hold the load in either direction, are standard.



Gared Sports
707 North 2nd Street
St. Louis, MO 63102

Gared Sports
9200 E. 146th Street
Noblesville, IN 46060

800-325-2682
www.garedsports.com