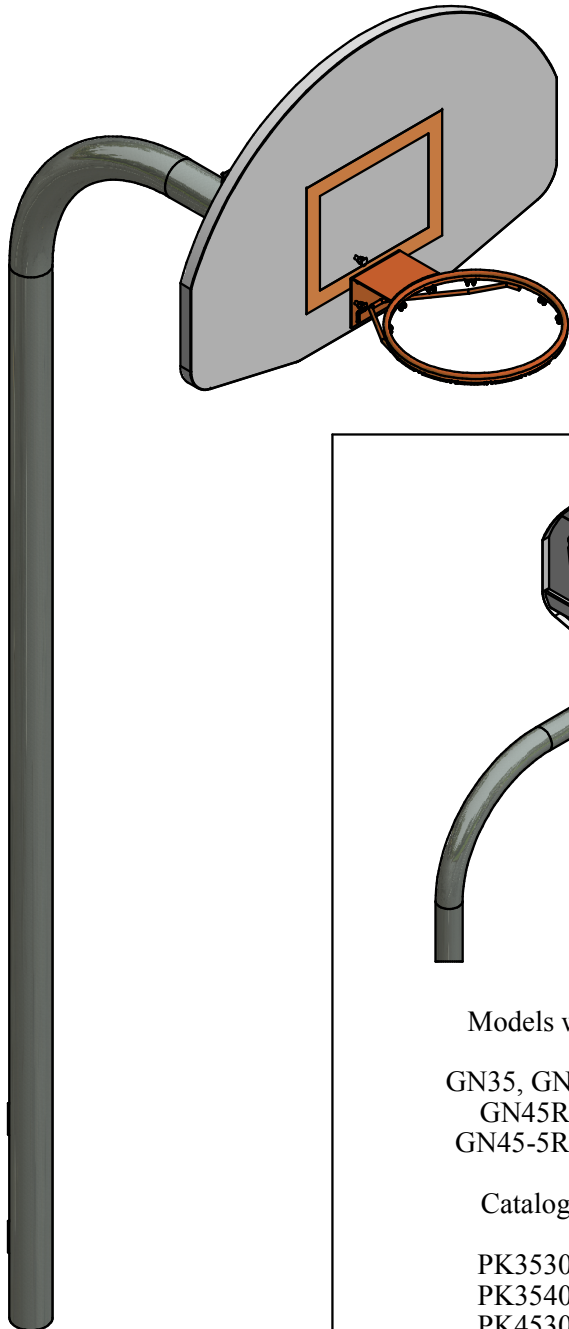


# Gooseneck Backboard Systems



|  |   |
|--|---|
|  |   |
| <p>Models with Braces</p> <p>GN35, GN35R, GN45,<br/>GN45R, GN45-5,<br/>GN45-5R, and GN60</p> <p>Catalog Packages</p> <p>PK3530, PK3535,<br/>PK3540, PK3545,<br/>PK4530, PK4540,<br/>PK4560, PK4565,<br/>PK4570, PK6005,<br/>PK6015, PK6025,<br/>and PK6040</p> | <p>Models without Braces</p> <p>GNA35, GNA35R,<br/>GNA45, GNA45R,<br/>GNA45-5, and GNA45-5R</p> <p>Catalog Packages</p> <p>PK3505, PK3510,<br/>and PK3515</p> <p><b>Braces are not used on these units.</b></p> |

## Installation and Assembly Instructions



Gared Holdings, LLC  
9200 E. 146th St.  
Noblesville, IN 46060

|                              |          |           |     |
|------------------------------|----------|-----------|-----|
| GOOSNECK BACKBOARD SYSTEM    |          |           |     |
| FILE LOC. Q:\Inventor Files\ |          |           |     |
| DATE                         | SHT. NO. | PART NO.  | REV |
| 9/23/2015                    | 1 OF 10  | 401754473 | D   |

# **WARNING**

ONLY AUTHORIZED PERSONNEL SHOULD INSTALL AND/OR MAKE ADJUSTMENTS TO THIS EQUIPMENT. ANY ATTEMPT BY UNAUTHORIZED PERSONNEL TO ADJUST EXTENSION ARM, BACKBOARD, OR GOAL MAY RESULT IN DAMAGE TO THE EQUIPMENT OR SERIOUS PERSONAL INJURY.

This guide will provide information on the proper assembly and installation methods of your gooseneck backboard system.

Please note that a Bill of Materials is being included with this guide. Please check that all of the parts called out on the Bill of Materials are present prior to beginning assembly and setup. This manual refers to all models of the Gared Gooseneck Backboard system and therefore some parts shown in the Bill of Material may not be required on your model. Refer to the assembly instructions for correct parts to be used in the installation.

Please do not substitute for factory parts. Please contact the Gared Customer Service department and allow them to determine if substitute parts are acceptable.

It is recommended that an individual who has been properly trained perform assembly and set up of the backstop. No one under the age of 18 should attempt assembly or set up of the unit, unless properly supervised.

To prevent normal wear and tear from shortening the life of the unit, preventative maintenance inspections and repairs should be performed at least once per year. If the units are subject to high or unusual usage, inspections should be scheduled to occur more frequently. If items are found to be nonconforming, replacements can be ordered from Gared Sports and/or Performance Sports Systems or one of our authorized dealers. When contacting Customer Service, please have information regarding the dealer/installer who sold the unit, the name of the project, and any applicable warranty information.

**Performance Sports Systems**  
800-848-8034  
www.perfsports.com

**Gared Sports**  
800-325-2682  
www.garedsports.com  
CustomerService@garedsports.com

## Installation and Assembly Instructions



Gared Holdings, LLC  
9200 E. 146th St.  
Noblesville, IN 46060

### GOOSNECK BACKBOARD SYSTEM

FILE LOC. Q:\Inventor Files\

| DATE      | SHT. NO. | PART NO.  | REV |
|-----------|----------|-----------|-----|
| 9/23/2015 | 2 OF 10  | 401754473 | D   |

### Package Component List

|   | Package | Post    | Board   | Goal  | Brace         | Brace Kit              |           |
|---|---------|---------|---|---|---------------|------------------------|-----------|
| 3 1/2" OD w/ 3' ext   | PK3505  | GNA35   | 1701  | 39WO  | None          | N/R                    |           |
|   | PK3510  | GNA35   | 1750  | 39WO  | None          | N/R                    |           |
|   | PK3515  | GNA35R  | 1266  | 66T   | None          | N/R                    |           |
|   | PK3530  | GNA35   | BB48A38   | 726   | AAB35-12-BB60 | 15G353946 & 15B603949  |           |
|   | PK3535  | GNA35   | 1750B   | 39WO  | AAB35-12      | 15G353946              |           |
|   | PK3540  | GNA35   | 1245T   | 39WO  | AAB35-12      | 15G353946              |           |
|   | PK3545  | GNA35R  | 1266  | 66T   | AAB35-12      | 15G353946              |           |
|   | GNA35   | GNA35   |   |   | None          | N/R                    |           |
|   | GNA35R  | GNA35   |   |   | None          | N/R                    |           |
|   | GN35    | GNA35   | * Braces and Brace kits shown are for all backboards except Acrylic and Glass |   | AAB35-12      | 15G353946              |           |
|   | GN35R   | GNA35   |   |   | AAB35-12      | 15G353946              |           |
| 4 1/2" OD w/<br>4' ext  | PK4530  | GNA45   | BB60A38   | 726   | AAB35-12-BB60 | 15G453947 & 15B603949  |           |
|   | PK4540  | GNA45   | 1245T   | 240   | AAB35-12      | 15G453947              |           |
|   | PK4560  | GNA45   | 1260B   | 240   | AAB35-12      | 15G453947              |           |
|   | PK4565  | GNA45   | 1750B   | 240   | AAB35-12      | 15G453947              |           |
|   | PK4570  | GNA45R  | 1266B   | 266   | AAB35-12      | 15G453947              |           |
|   | GNA45   | GNA45   |   |   | None          | N/R                    |           |
|   | GNA45R  | GNA45   |   |   | None          | N/R                    |           |
|   | GN45    | GNA45   | * Braces and Brace kits shown are for all backboards except Acrylic and Glass |   | AAB35-12      | 15G453947              |           |
|   | GN45R   | GNA45   |   |   | AAB35-12      | 15G453947              |           |
|   | 5' ext  | GN45-5  | GNA45-5   | * Braces and Brace kits shown are for all backboards except Acrylic and Glass |               | AAB35-12               | 15G453947 |
|   |         | GN45-5R | GNA45-5R  |   |               | AAB35-12               | 15G453947 |
|   |         |         |   |   |               |                        |           |
| 5 9/16" OD w/ 6' ext  | PK6005  | GN60-1  | 1272B   | 7550  | AAB35-12      | 15G603948              |           |
|   | PK6015  | GN60-1  | 1260B   | 7550  | AAB35-12      | 15G603948              |           |
|   | PK6025  | GN60-1  | BB60G38   | 5500  | AAB35-12-BB60 | 15G603948 & 15B603949  |           |
|   | PK6040  | GN60-1  | BB72A38   | 5500  | AAB35-12-BB60 | 15G603948 & 15B603949  |           |
|   | GN60    | GN60-1  | * Braces and Brace kits shown are for all backboards except Acrylic and Glass |   | AAB35-12      | 15G603948              |           |
| * Braces and Brace kits for Acrylic and Glass backboards will be: |         |         |   |   | AAB35-12-BB60 | Listed Kit + 15B603949 |           |

- Note 1) GN35 backboard options are: 1266, 1245T, 1701, 1750, 1750B, or BB48A38  
GN45 backboard options are: 1266B, 1245T, 1260B, 1750B, or BB60A38  
GN60 backboard options are: 1260B, 1272B, BB60G38, or BB72A38
- Note 2) GN35 goal options are: 39WO (used with all except 1266 & BB48A38), 66T (used with 1266) & 726 ( used with BB48A38)  
GN45 goal options are: 240 (used with all except 1266 & BB60A38), 266 (used with 1266B) & 726 ( used with BB60A38)  
GN60 goal options are: 7550 (used with 1260B & 1272B), 5500 (used with BB60G38 & BB72A38)
- Note 3) The brace P/N AAB35-12-BB60 is used with BB48A38, BB60A38, BB60G38, & BB72A38  
The brace P/N AAB35-12 is used for all other backboards

### Installation and Assembly Instructions



Gared Holdings, LLC  
9200 E. 146th St.  
Noblesville, IN 46060

|                                  |          |           |     |
|----------------------------------|----------|-----------|-----|
| <b>GOOSNECK BACKBOARD SYSTEM</b> |          |           |     |
| FILE LOC. Q:\Inventor Files\     |          |           |     |
| DATE                             | SHT. NO. | PART NO.  | REV |
| 9/23/2015                        | 3 OF 10  | 401754473 | D   |

**PARTS LIST**

| Item                 | Part Number   | Quantity    |       |      |       |      | Description                         |                                   |
|----------------------|---------------|-------------|-------|------|-------|------|-------------------------------------|-----------------------------------|
|                      |               | GN35        | GN35R | GN45 | GN45R | GN60 |                                     |                                   |
| 1                    | GNA35         | 1           | ---   | ---  | ---   | ---  | 3.5" GOOSENECK PST W/PLATE          |                                   |
|                      | GNA35R        | ---         | 1     | ---  | ---   | ---  | 3.5" GOOSENECK PST W/REAR PLATE     |                                   |
|                      | GNA45         | ---         | ---   | 1    | ---   | ---  | 4.5" GOOSENECK PST W/PLATE          |                                   |
|                      | GNA45R        | ---         | ---   | ---  | 1     | ---  | 4.5" GOOSENECK PST W/REAR PLATE     |                                   |
|                      | GN60          | ---         | ---   | ---  | ---   | 1    | 5 9/16" GOOSENECK PST W/PLATE       |                                   |
| 2                    | See Note 1    | 1           | 1     | 1    | 1     | 1    | BACKBOARD                           |                                   |
| 3                    | See Note 2    | 1           | 1     | 1    | 1     | 1    | GOAL                                |                                   |
| 4                    | AAB35-12      | 2           | 2     | 2    | 2     | 2    | BRACE,UPPER 1.5"O.D. X 31.25"FORMED |                                   |
|                      | AAB35-12-BB60 | See Note 3  |       |      |       |      |                                     |                                   |
| 5                    | 15G353946     | 1           | 1     | ---  | ---   | ---  | GN35 HARDWARE KIT                   |                                   |
|                      | 15G453947     | ---         | ---   | 1    | 1     | ---  | GN45 HARDWARE KIT                   |                                   |
|                      | 15G603948     | ---         | ---   | ---  | ---   | 1    | GN60 HARDWARE KIT                   |                                   |
| Components of Item 5 | 5.1           | AAB35-3     | 1     | 1    | ---   | ---  | ---                                 | CLASP, POST, 3.5 I.D. X 1" WIDE   |
|                      |               | AAB60-34    | ---   | ---  | 1     | 1    | ---                                 | CLASP, POST, 4.5 I.D. X 1"WIDE    |
|                      |               | AABS60-41   | ---   | ---  | ---   | ---  | 1                                   | POST HANGER FOR 5.5625" PIPE      |
|                      | 5.2           | AAB35-30    | 1     | 1    | 1     | 1    | 1                                   | CLASP EXTENSION CUT/PUNCHED       |
|                      | 5.3           | AABS35-18   | 2     | 2    | 2     | 2    | 4                                   | MOUNTING BRACKET CUT/PUNCH/FORMED |
|                      | 5.4           | 501-5-18-16 | 1     | 1    | 1     | 1    | 1                                   | BOLT, CARRIAGE 5/16-18 UNC X 1    |
|                      | 5.5           | 501-6-16-16 | 2     | 2    | 2     | 2    | 2                                   | BOLT, CARRIAGE 3/8-16 UNC X 1     |
|                      | 5.6           | 502-6-16-16 | 2     | 2    | 2     | 2    | 4                                   | HEX BOLT, 3/8-16 UNC X 1          |
|                      | 5.7           | 502-6-16-20 | 3     | 3    | 3     | 3    | 3                                   | HEX BOLT, 3/8-16 UNC X 1.25       |
|                      | 5.8           | 541-5-18    | 1     | 1    | 1     | 1    | 1                                   | HEX NUT 5/16-18                   |
|                      | 5.9           | 541-6-16    | 5     | 5    | 5     | 5    | 7                                   | HEX NUT 3/8-16                    |
|                      | 5.10          | 561-5       | 1     | 1    | 1     | 1    | 1                                   | FLAT WASHER 5/16                  |
|                      | 5.11          | 561-6       | 6     | 6    | 6     | 6    | 6                                   | FLAT WASHER 3/8                   |
|                      | 5.12          | 562-5       | 1     | 1    | 1     | 1    | 1                                   | SPLIT LOCK WASHER 5/16            |
|                      | 5.13          | 562-6       | 5     | 5    | 5     | 5    | 7                                   | SPLIT LOCK WASHER 3/8             |
|                      | 5.14          | AABS60-43   | ---   | ---  | ---   | ---  | 2                                   | U-BOLT,1/2-13 X 7.75"LG. 5.594ID  |
|                      | 5.15          | 502-6-16-24 | ---   | ---  | ---   | ---  | 1                                   | HEX BOLT, 3/8-16 UNC X 1.5        |
|                      | 5.16          | 541-8-13    | ---   | ---  | ---   | ---  | 4                                   | HEX NUT 1/2-13                    |
| 5.17                 | 561-8         | ---         | ---   | ---  | ---   | 4    | FLAT WASHER 1/2                     |                                   |
| 5.18                 | 562-8         | ---         | ---   | ---  | ---   | 4    | SPLIT LOCK WASHER 1/2               |                                   |

This brace attach kit is only required when installing the BB48A38, BB60A38, BB60G38, or BB72G50 Backboard

| Components of Item 6 | Part Number | Quantity |      |      | Description                       |                             |
|----------------------|-------------|----------|------|------|-----------------------------------|-----------------------------|
|                      |             | BB48     | BB60 | BB72 |                                   |                             |
| 6                    | 15B603949   |          |      |      | KIT, BRACE ATTACH BB48-BB60-BB72  |                             |
| 6.1                  | 401651363   | 2        | 2    | 2    | BRACKET, BOARD BRACE MTG AAB & GN |                             |
|                      |             | 4        | ---  | ---  |                                   | HEX BOLT, 5/16-18 UNC X 1.5 |
|                      |             | ---      | 2    | 2    |                                   | HEX BOLT, 3/8-16 UNC X 1.5  |
|                      |             | 4        | ---  | ---  |                                   | HEX NUT 5/16-18             |
|                      |             | ---      | 2    | 2    |                                   | HEX NUT 3/8-16              |
|                      |             | 4        | ---  | ---  |                                   | FLAT WASHER 5/16            |
|                      |             | ---      | 2    | 2    |                                   | FLAT WASHER 3/8             |
|                      |             | 4        | ---  | ---  |                                   | SPLIT LOCK WASHER 5/16      |
|                      |             | ---      | 2    | 2    |                                   | SPLIT LOCK WASHER 3/8       |

**Installation and Assembly Instructions**



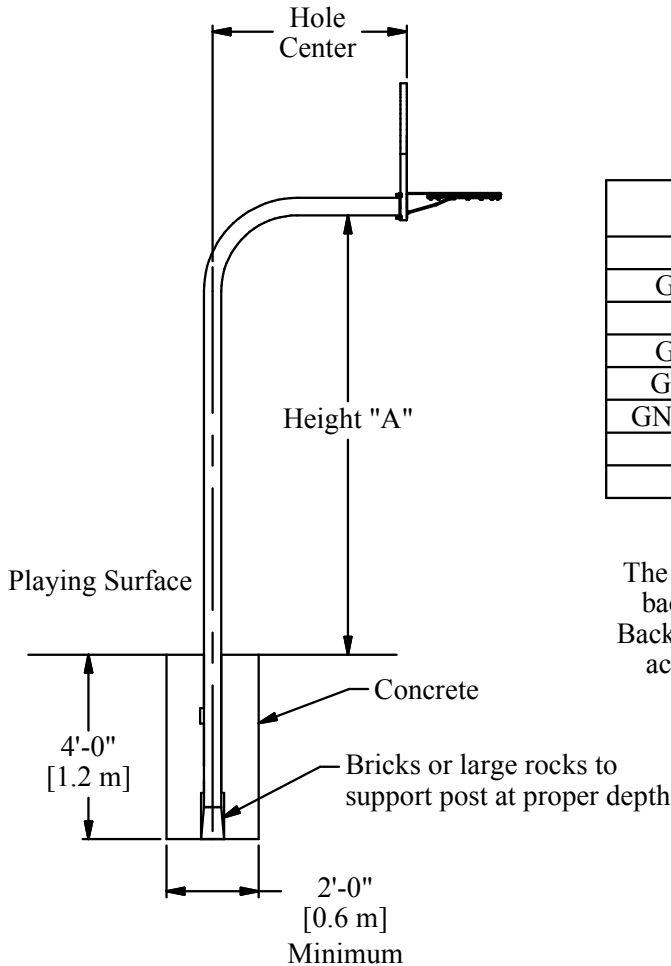
Gared Holdings, LLC  
9200 E. 146th St.  
Noblesville, IN 46060

| GOOSENECK BACKBOARD SYSTEM |                    |           |     |
|----------------------------|--------------------|-----------|-----|
| FILE LOC.                  | Q:\Inventor Files\ |           |     |
| DATE                       | SHT. NO.           | PART NO.  | REV |
| 9/23/2015                  | 4 OF 10            | 401754473 | D   |

**Tools Required:**

- Spade
- Shovel
- Hammer
- 1/2", 9/16", 5/8", and 3/4" Wrenches
- Blocking and nails to support the post during installation of concrete

Mark the center of the hole to be dug. The center of the post is shown in the chart below (Hole Center).



| Model              | Hole Center | Dimension "A" |
|--------------------|-------------|---------------|
| GN35 & GNA35       | 3'-0 1/4"   | 9'-6 3/4"     |
| GN35R & GNA35R     | 3'-1 1/2"   | 9'-9 1/2"     |
| GN45 & GNA45       | 4'-2"       | 9'-6 1/2"     |
| GN45R & GNA45R     | 4'-2 3/4"   | 9'-9"         |
| GN45-5 & GNA45-5   | 5'-2"       | 9'-6 1/2"     |
| GN45-5R & GNA45-5R | 5'-2 3/4"   | 9'-9"         |
| GN60               | 6'-2 1/2"   | 9'-8"         |
| GN60R              | 6'-3 1/4"   | 9'-10 1/2"    |

**Note:**

The "Hole Center" dimension will vary +/- 1/2" based on the backboard selection. When distance from post to Face of Backboard requires accuracy better than +/- 1/2", measure the actual post extension and the backboard thickness before placing the post.

Dig a hole a minimum of 24" in diameter and 48" deep minimum.

Place bricks or large rocks in the center of the hole to support the post at the correct height. Brace and support the post to hold it plumb and maintain height "A" from the bottom of the gooseneck to the playing surface.

**NOTE: This dimension is critical to maintain a 10' playing height when the goal is installed.**

Mix concrete and pour into hole and around the post to fill the hole. Slope concrete away from the post to provide drainage.

Allow concrete to set before attempting to install board and goal.

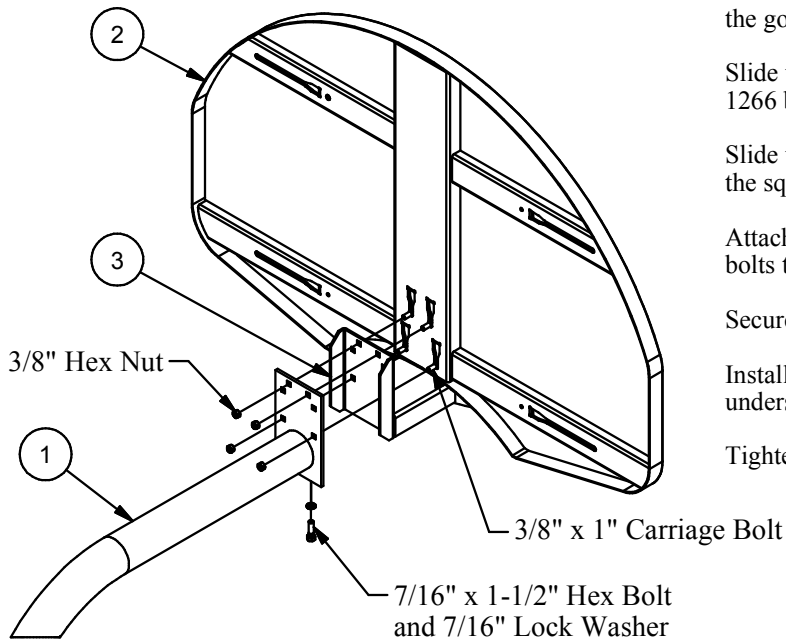
**Installation and Assembly Instructions**



Gared Holdings, LLC  
9200 E. 146th St.  
Noblesville, IN 46060

| GOOSNECK BACKBOARD SYSTEM    |          |           |     |
|------------------------------|----------|-----------|-----|
| FILE LOC. Q:\Inventor Files\ |          |           |     |
| DATE                         | SHT. NO. | PART NO.  | REV |
| 9/23/2015                    | 5 OF 10  | 401754473 | D   |

## 1266 or 1266B Backboard & 66T or 266 Goal Installation



The hardware for mounting the backboard and goal is supplied with the goal and is not part of the parts list on page 2.

Slide the head of the 3/8" x 1" carriage bolts into the slots on the 1266 backboard.

Slide the backboard onto the goal with the carriage bolts through the square holes on the goal.

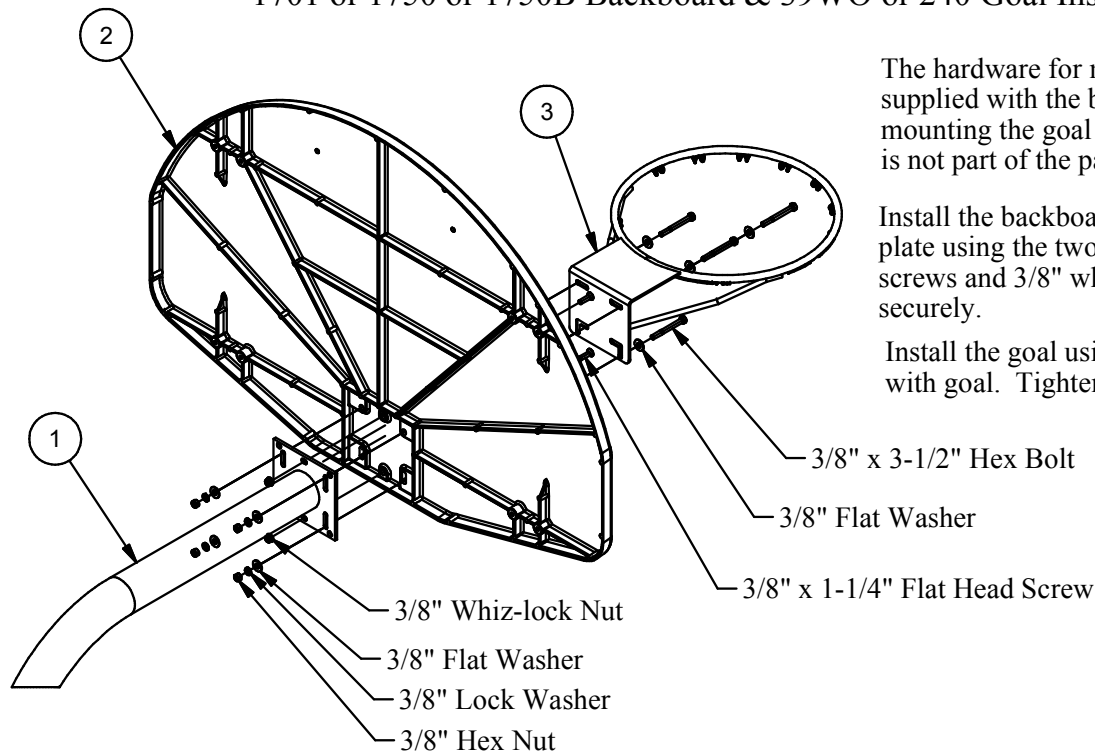
Attach the board and goal to the post by sliding the carriage bolts through the holes on the post mounting plate.

Secure all four bolts with the 3/8" nuts.

Install the 7/16" x 1-1/2" hex bolt and lock washer on the underside of the goal into the backboard.

Tighten all bolts and nuts.

## 1701 or 1750 or 1750B Backboard & 39WO or 240 Goal Installation



The hardware for mounting the backboard is supplied with the backboard and hardware for mounting the goal is supplied with the goal and is not part of the parts list on page 2.

Install the backboard onto the post mounting plate using the two 3/8" x 1-1/4" flat head screws and 3/8" whiz-lock nuts. Tighten securely.

Install the goal using the hardware supplied with goal. Tighten all bolts securely.

### Installation and Assembly Instructions



Gared Holdings, LLC  
9200 E. 146th St.  
Noblesville, IN 46060

#### GOOSNECK BACKBOARD SYSTEM

FILE LOC. Q:\Inventor Files\

DATE

9/23/2015

SHT. NO.

6 OF 10

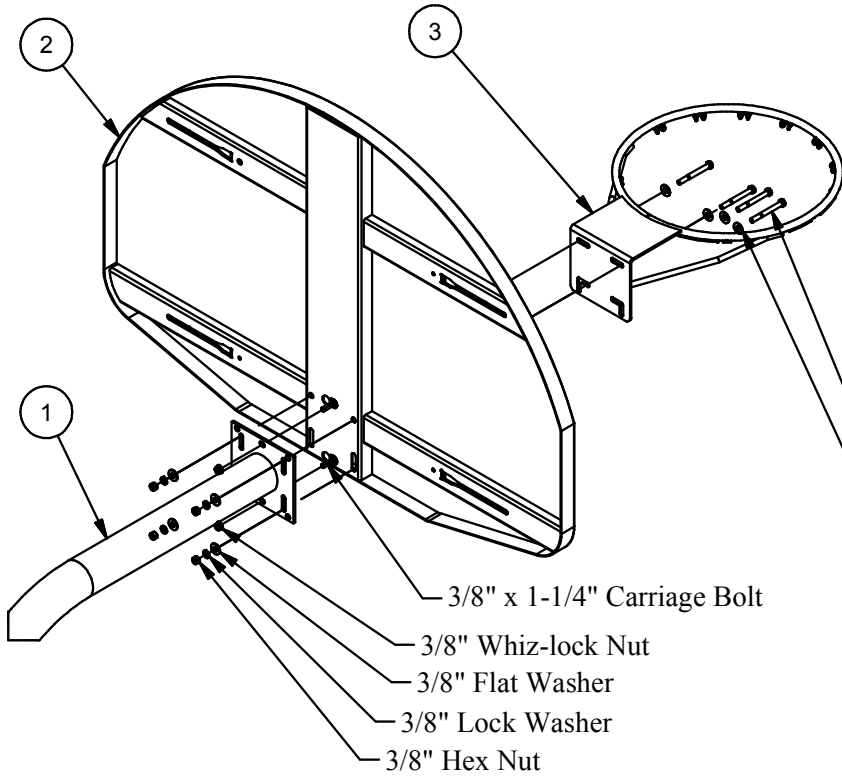
PART NO.

401754473

REV

D

### 1245T & 39WO or 240 Goal Installation



The hardware for mounting the backboard is supplied with the backboard and hardware for mounting the goal is supplied with the goal and is not part of the parts list on page 2.

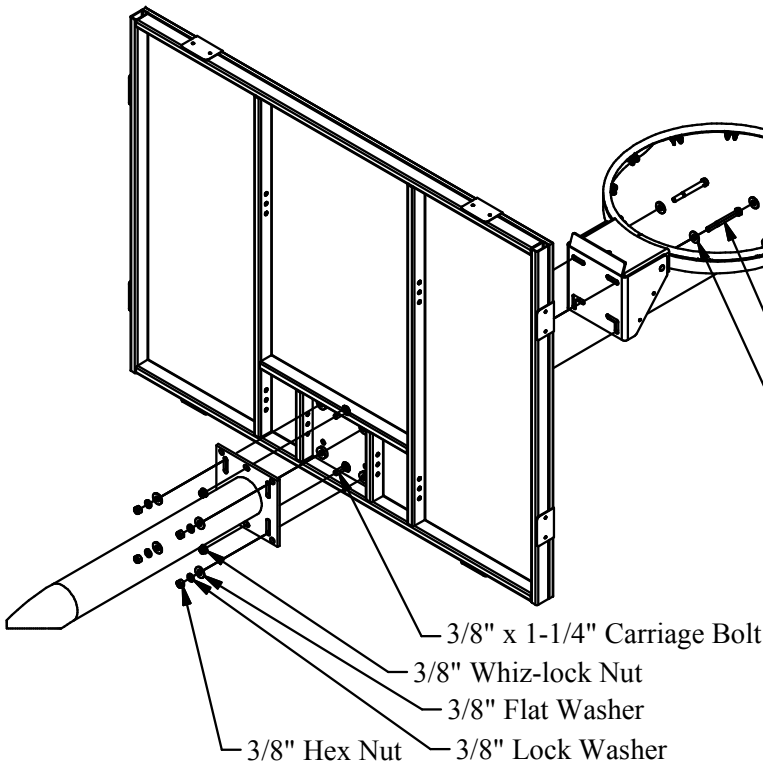
Install the backboard onto the post mounting plate using the two 3/8" x 1-1/4" carriage bolts and 3/8" whiz-lock nuts. Tighten securely.

Install the goal using the hardware supplied with goal. Tighten all bolts securely.

3/8" x 3-1/2" Hex Bolt

3/8" Flat Washer

### BB48A38 or BB60A38 & 726 GOAL



The hardware for mounting the backboard is supplied with the backboard and hardware for mounting the goal is supplied with the goal and is not part of the parts list on page 2.

Install the backboard onto the post mounting plate using the two 3/8" x 1-1/4" carriage bolts and 3/8" whiz-lock nuts. Tighten securely.

Install the goal using the hardware supplied with goal. Tighten all bolts securely.

3/8" x 3-1/2" Hex Bolt

3/8" Flat Washer

### Installation and Assembly Instructions



Gared Holdings, LLC  
9200 E. 146th St.  
Noblesville, IN 46060

#### GOOSNECK BACKBOARD SYSTEM

FILE LOC. Q:\Inventor Files\

DATE

9/23/2015

SHT. NO.

7 OF 10

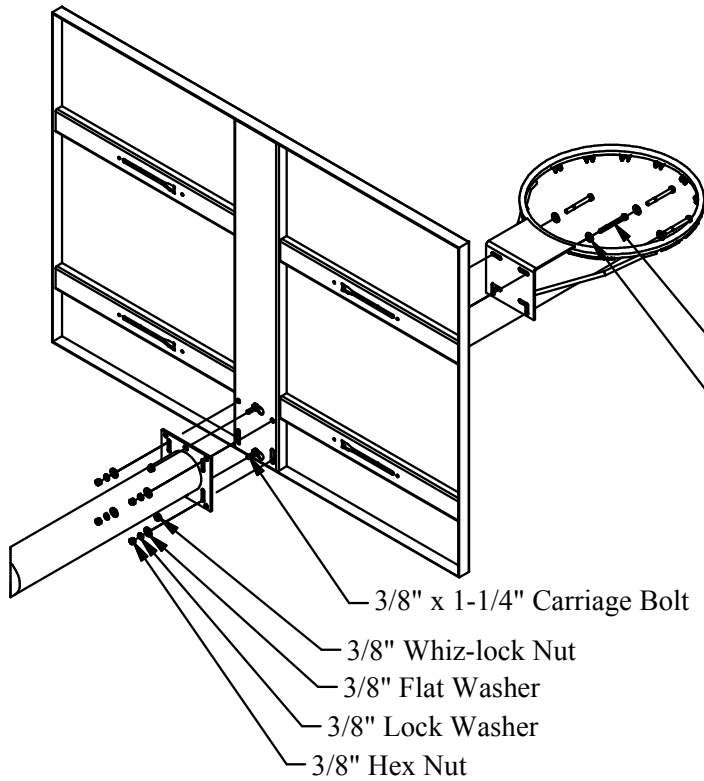
PART NO.

401754473

REV

D

## 1260 or 1260B or 1272B & 240 OR 7550 GOAL



The hardware for mounting the backboard is supplied with the backboard and hardware for mounting the goal is supplied with the goal and is not part of the parts list on page 2.

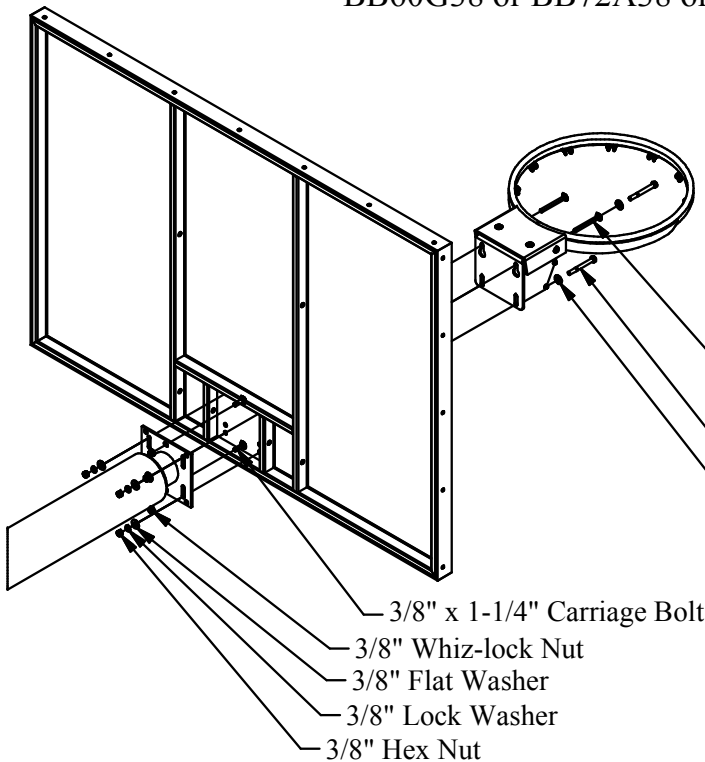
Install the backboard onto the post mounting plate using the two 3/8" x 1-1/4" carriage bolts and 3/8" whiz-lock nuts. Tighten securely.

Install the goal using the hardware supplied with goal. Tighten all bolts securely.

3/8" x 3-1/2" Hex Bolt

3/8" Flat Washer

## BB60G38 or BB72A38 or BB72G50 & 5500 GOAL



The hardware for mounting the backboard is supplied with the backboard and hardware for mounting the goal is supplied with the goal and is not part of the parts list on page 2.

Install the backboard onto the post mounting plate using the two 3/8" x 1-1/4" carriage bolts and 3/8" whiz-lock nuts. Tighten securely.

Install the goal using the hardware supplied with goal. Tighten all bolts securely.

3/8" x 3-1/2" Carriage Bolt

3/8" x 3-1/2" Hex Bolt

3/8" Flat Washer

The top two goal bolts are the carriage bolts and the bottom two bolts are the hex bolts and flat washers

### Installation and Assembly Instructions



Gared Holdings, LLC  
9200 E. 146th St.  
Noblesville, IN 46060

#### GOOSNECK BACKBOARD SYSTEM

FILE LOC. Q:\Inventor Files\

DATE

9/23/2015

SHT. NO.

8 OF 10

PART NO.

401754473

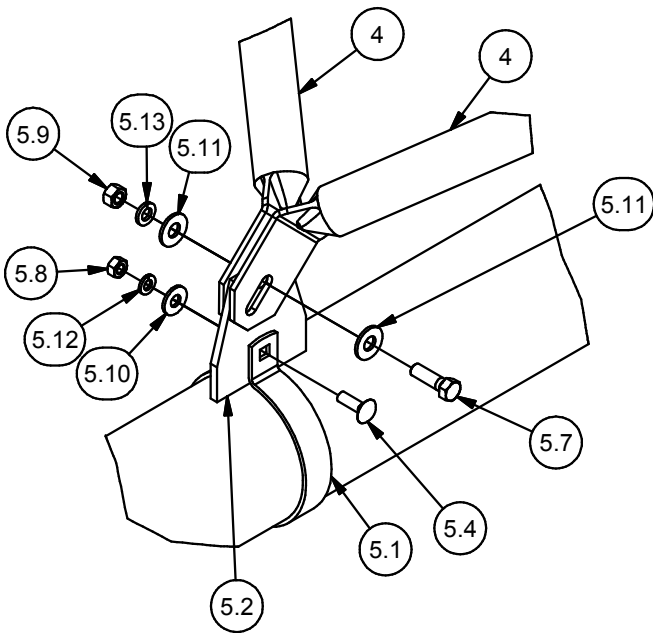
REV

D

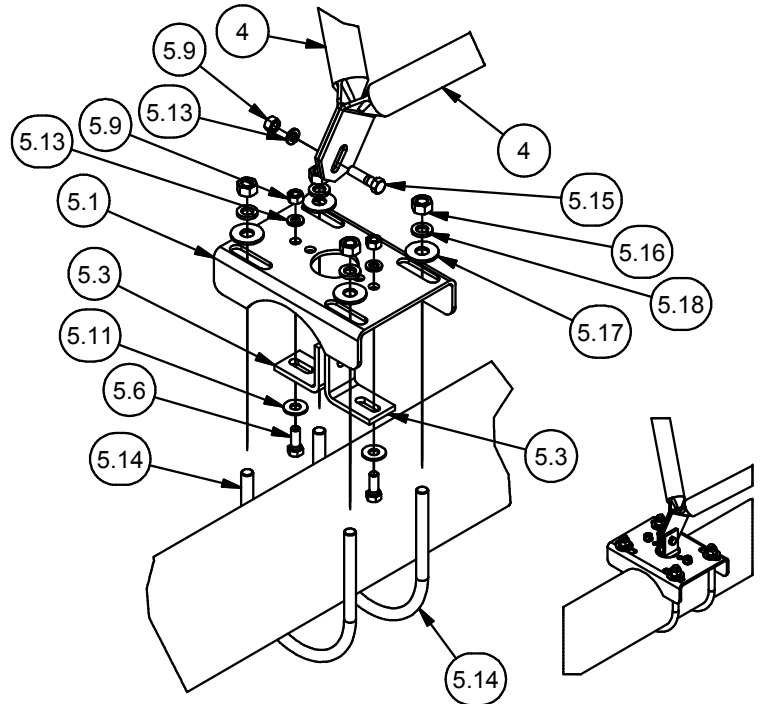


The following illustrations and instructions apply ONLY to the GN models. The GNA models DO NOT require braces.

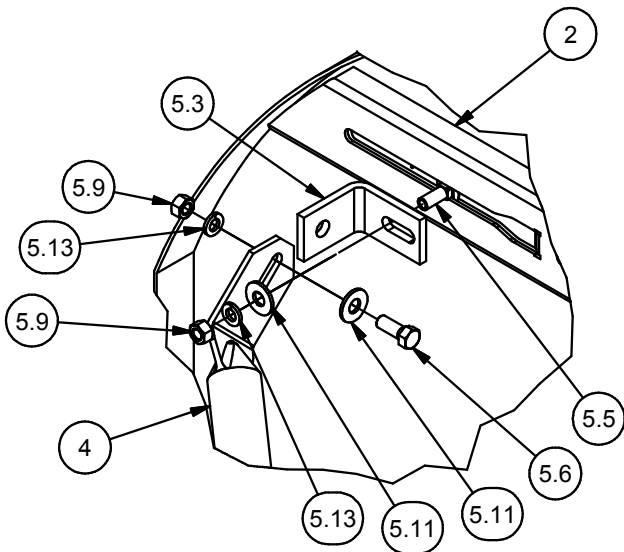
### GN35 and GN45 Brace to Post Attachment



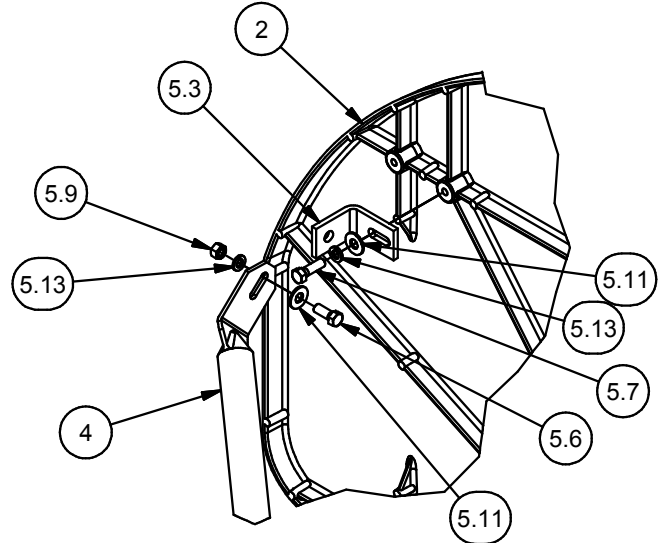
### GN60 Brace to Post Attachment



### Fan or Rectangular Steel Backboard Brace to Backboard Attachment



### Fan Aluminum Brace to Backboard Attachment



## Installation and Assembly Instructions



Gared Holdings, LLC  
9200 E. 146th St.  
Noblesville, IN 46060

### GOOSNECK BACKBOARD SYSTEM

FILE LOC. Q:\Inventor Files\

DATE

9/23/2015

SHT. NO.

9 OF 10

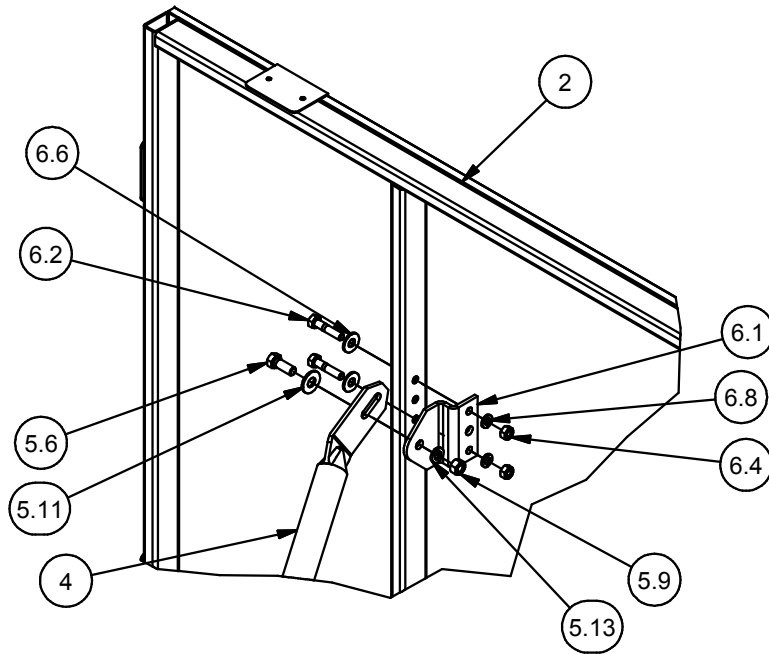
PART NO.

401754473

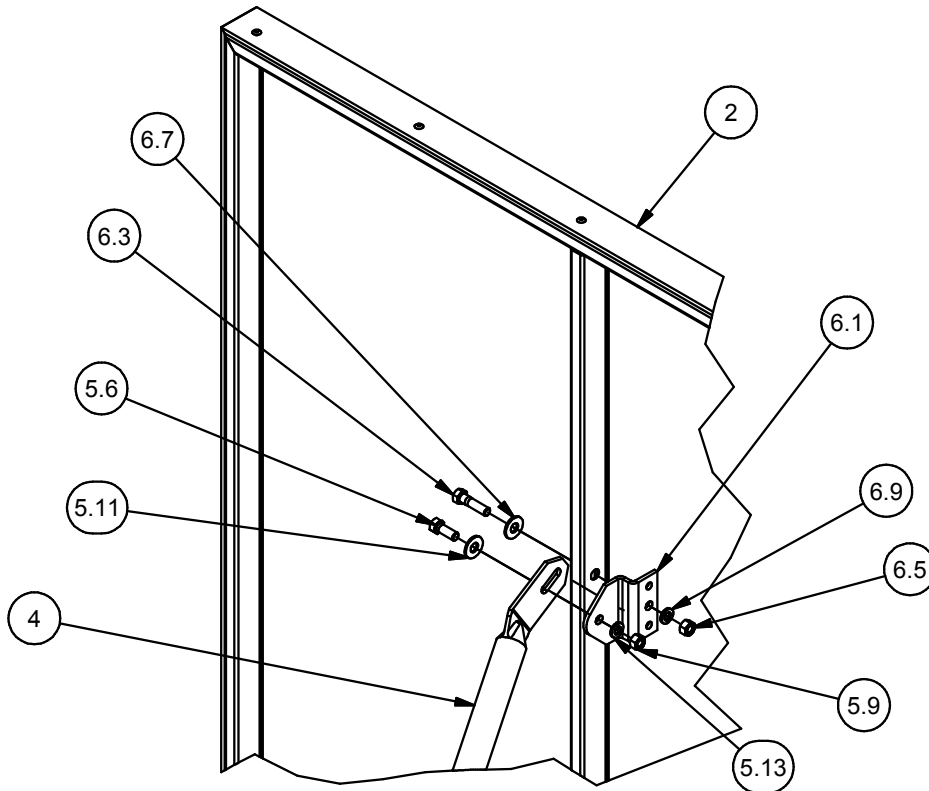
REV

D

BB48A38  
Brace to Backboard Attachment



BB60A38 or BB60G38 or BB72A38 or BB72G50  
Brace to Backboard Attachment



Installation and Assembly Instructions



Gared Holdings, LLC  
9200 E. 146th St.  
Noblesville, IN 46060

GOOSNECK BACKBOARD SYSTEM

FILE LOC. Q:\Inventor Files\

DATE

9/23/2015

SHT. NO.

10 OF 10

PART NO.

401754473

REV

D