

# PYT SPORTS

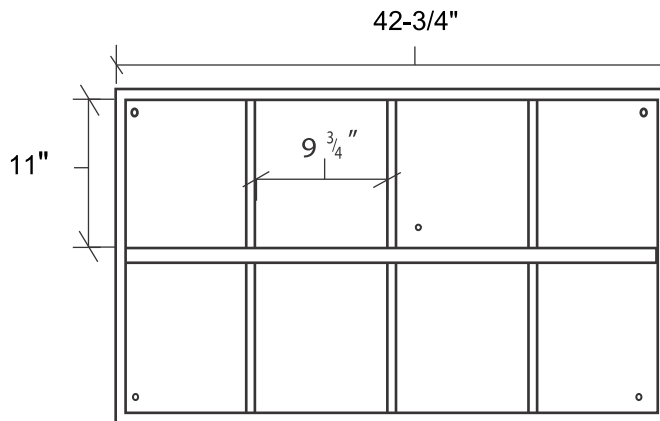
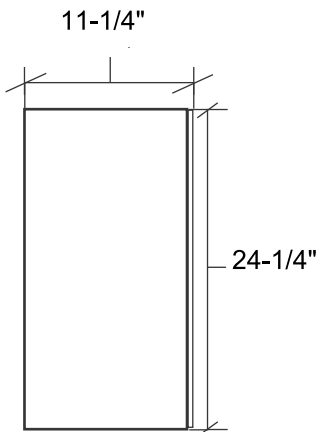
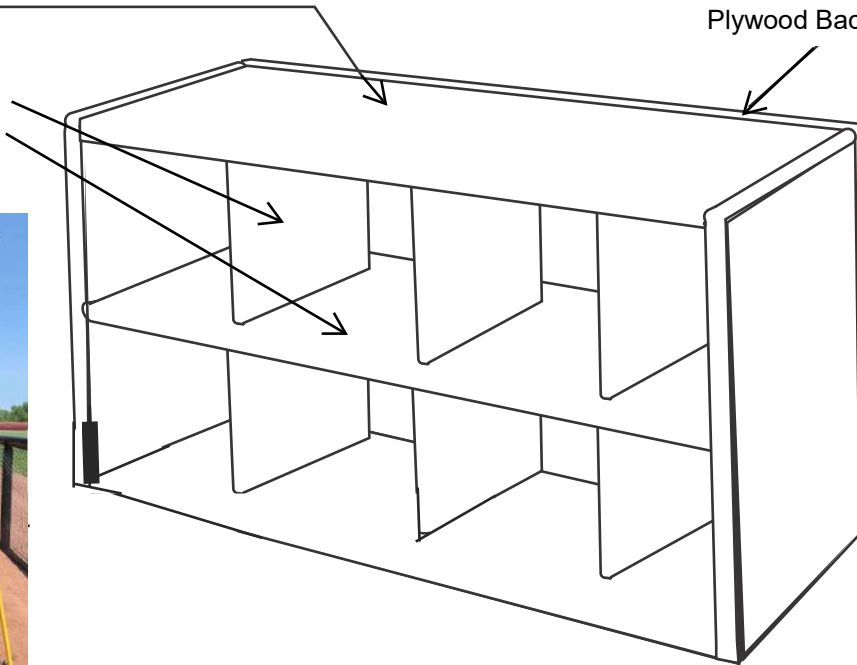
2908 W. 99th Place, Evergreen Park, IL 60805  
 708.634.2099 / 708.846.4119 (cell) / 708.844.4002 (fax)  
 Sales@pytsports.net / Dave@pytsports.net  
**www.pytsports.net**

## 8-211

\* Images not to scale

3/4" MDO (Medium Density Overlay) Signboard Material

1/4" Exterior Treated Plywood Back Panel



**Proprietary Notice**

Information within this document is the property of PYT Sports Inc. Any reproduction, in part or as a whole, without the written permission of PYT Sports Inc. is strictly prohibited

\*Includes hardware for concrete block attachment. Fence attachment option (upgraded 1/2" MDO back and fence attachment hardware) is also available upon request at a minimal fee.

Painted With Two Coats Of Exterior Enamel Paint  
 Mounting Styles Available For: Concrete Block, Wood Or Fence Dugouts  
 No Assembly Required  
 Each Order Includes One Can of "Touch Up" Paint For Post Installation