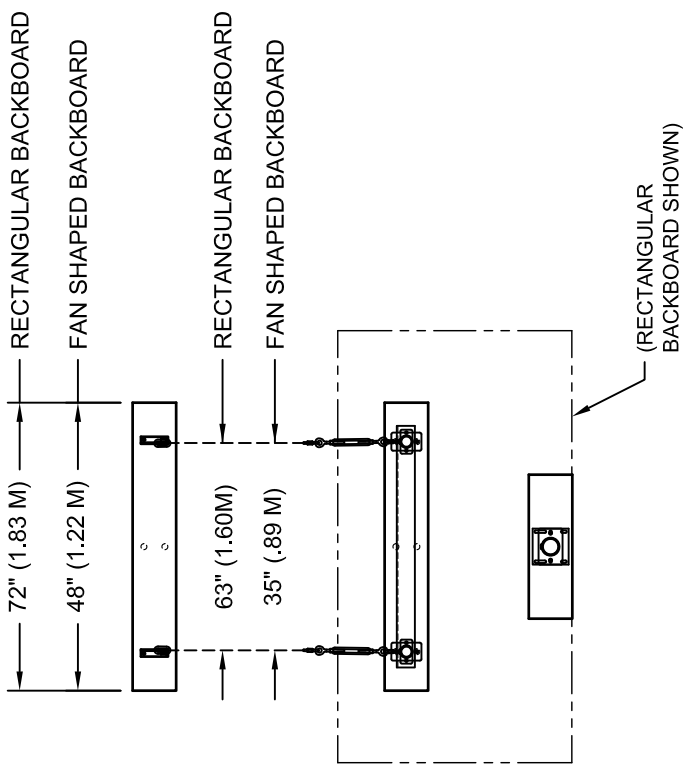
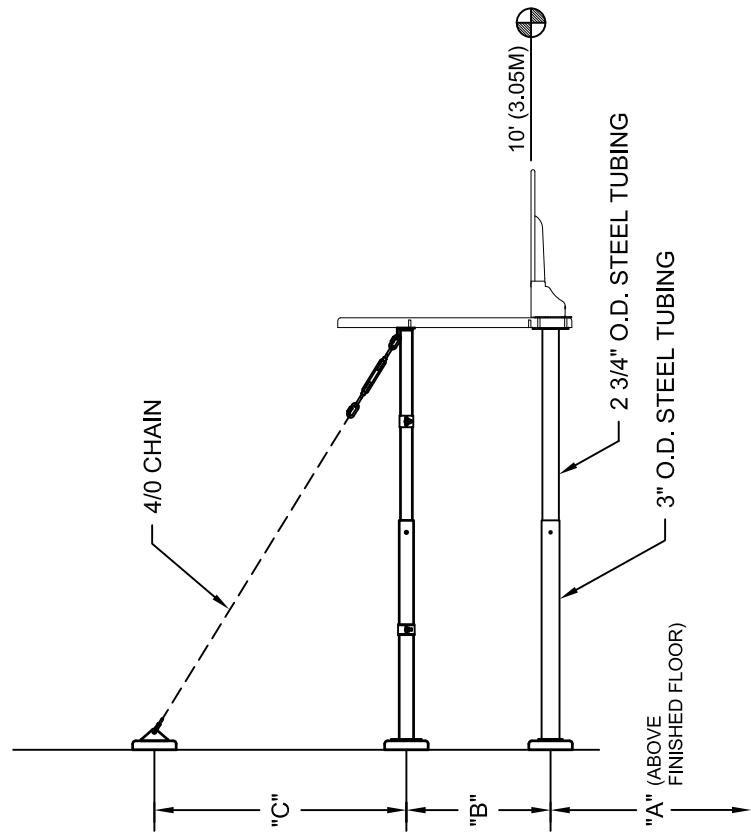
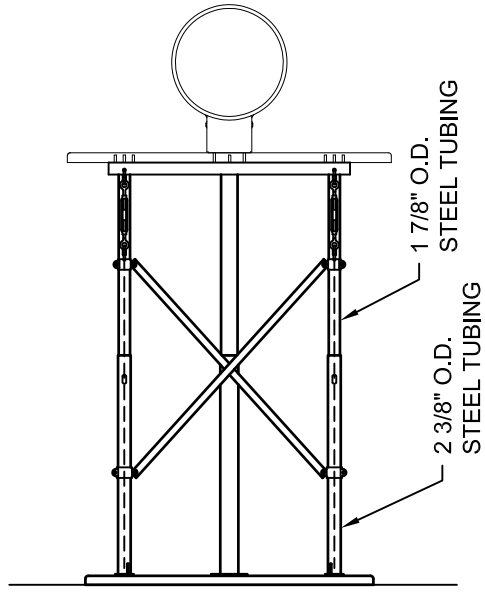


NOTE: DIMENSIONS IN FEET & INCHES (METERS)

UNITS INSTALLED WITH OR WITHOUT A-A-G	
DIM "A"	DIM "B"
RECT. STYLE MOUNTING BACKBOARDS	
LXP4200	9'-9" (2.97M)
AFRG42	9'-8 7/8" (2.97M)
1442B	9'-8 7/8" (2.97M)
RG	9'-2 3/4" (2.81M)
FAN STYLE MOUNTING BACKBOARDS	
1301B	10'-1/4" (3.05M)
1750B	9'-9 1/2" (2.98M)
1245T	9'-9 5/8" (2.99M)
1272B	10'-1/2" (3.06M)
1342B	9'-7.0" (2.92M)

ALL UNITS	
FOB EXTENSION	DIM "C"
2'-4" (.61-1.22M)	24" (.61M)
4'-6" (1.22-1.83M)	35" (.89M)
6'-9" (1.83-2.74M)	56" (1.42M)
9'-12" (2.74-3.66M)	79" (2.00M)
OVER 12'	*SEE NOTE

*NOTE: FOR UNITS OVER 12' (3.66M) REFER TO INSTALLATION INSTRUCTIONS SUPPLIED WITH PRODUCT. IF INSTRUCTIONS ARE NOT AVAILABLE, CONTACT FACTORY FOR CORRECT DIMENSIONS.
0' - 2' CHAIN NOT USED.



REVISION		
REV.	DATE	BY
A	12/17/03	JDF
B	01/14/05	ATS
C	05/07/08	RWP
D	06/08/09	RWP

Gared Holdings, LLC
9200 E. 146th St. Noblesville, IN 46060

THIS DOCUMENT CONTAINS TRADE SECRET AND OTHER MATERIALS WHICH ARE PROTECTED BY CONFIDENTIALITY NOTICE AND AGREEMENT AND BY COPYRIGHT. ANY USE OR COPYING OF THIS DOCUMENT EXCEPT AS AUTHORIZED BY GARED HOLDINGS, LLC IS STRICTLY PROHIBITED.

WALL MOUNT - THREE POINT

DRAWN	CONNERLEY	DATE	04/30/03	MATERIAL	N/A
APPROVED	JJC	DATE	04/30/03	FINISH	N/A
FILE LOC. Q:\Final Release\Specifications				DWG. NO.	2350
SIZE	SCALE	SHT. NO.	PART NO.		
A	NONE	1 OF 1	2350	REV D	



MODEL 2350

ADJUSTABLE 3 POINT STATIONARY WALL MOUNT STRUCTURE FOR EXTENSIONS 2'-0" TO 12'-0"

RECOMMENDED APPLICATION

This unit is designed for applications that allow for mounting the backstop to the wall. The adjustable stationary wall mount is available in extensions from 2'-0" to 12'-0".

SPECIFICATIONS

WALL ATTACHMENT

Unit shall be attached to 2" x 7.25" clear coated wood pads. Units will also be supported with 4/0 chain fastened to the front of the unit and attached to a wood pad mounted on the wall. Wood pad will be mounted on an 8" minimum solid core concrete block wall or wall of similar integrity. All critical fittings shall be malleable iron castings, heavy gauge steel stampings or weldments.

BACKSTOP

The backstop shall be constructed of three telescopic wall braces spaced at 63" centers for a standard application and 35" centers for fan shaped backboards. Single lower brace assembly consists of 2-3/4" O.D. tubing telescoped inside a 3" O.D. tube. Two upper braces constructed with 1-7/8" O.D. tubing telescoped inside 2-1/8" O.D. tubes. Extensions of 4'-0" and greater utilize 1/4" x 1" tension straps for added stiffness. Lower brace utilizes a direct goal attachment to transfer the stress of heavy play to the support structure. All critical fittings shall be malleable iron castings, heavy gauge steel stampings, or weldments.

Backstop manufactured in accordance with 1994 NCAA rule 1, section 8, stating that all backboard support systems shall be at least 6" behind backboard. Backstop will be furnished with standard black finish. If special finish coat required, specify final painting by painting contractor.

ACCESSORIES

BACKBOARDS AND GOALS

All PSS and/or Gared backboards and goals are available on this unit. See the backboards and goals section in the specification manual.

BANK PADDING

See the accessories section in the specification manual.

HEIGHT ADJUSTER

Height adjusters are available for adjusting board heights between 8' and 10' for both rectangular and fan shaped backboards. See the accessories section in the specification manual.