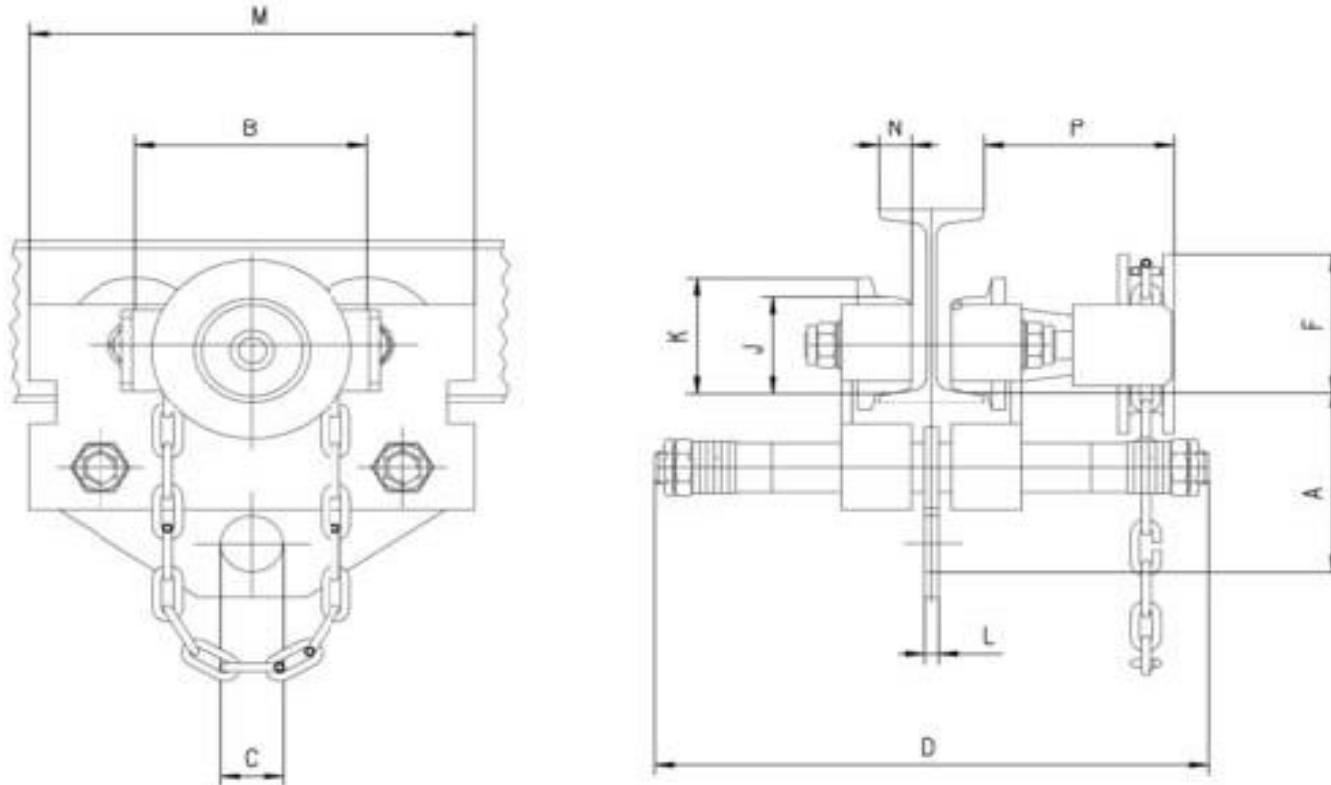


Specifications - Model CBT

| Model | Capacity (ton) | Standard Beam Height (in.) | I-Beam Width (in.) | Min. Radius Curve (in.) | Wheel Tread Dia. (in.) | Wt. (lbs) |
|----------|----------------|----------------------------|--------------------|-------------------------|------------------------|-----------|
| CBTP0025 | 1/4 | 41388 | 2.0-8.7 | 27.00 | 2.36 | 19.00 |
| CBTP0050 | 1/2 | 4-24 | 2.0-8.7 | 27.00 | 2.36 | 19.00 |
| CBTP0100 | 1 | 5-24 | 2.3-8.7 | 36.00 | 2.36 | 26.00 |
| CBTP0200 | 2 | 6-24 | 2.3-8.7 | 45.00 | 3.15 | 46.00 |



Clearance Dimensions (in.)

| Capacity (ton) | A | B | C | D | CBTG F | J | K | L | M | N |
|----------------|------|------|------|-------|--------|------|------|-----|-------|-----|
| 1/4 | 3.94 | 3.54 | 1.18 | 11.81 | - | 2.36 | 2.83 | .31 | 7.56 | .71 |
| 1/2 | 3.94 | 3.54 | 1.18 | 11.81 | - | 2.36 | 2.83 | .31 | 7.56 | .71 |
| 1 | 4.33 | 5.12 | 1.38 | 12.20 | 3.60 | 2.36 | 2.83 | .31 | 9.84 | .71 |
| 2 | 5.12 | 5.91 | 1.89 | 12.60 | 3.56 | 3.15 | 3.78 | .47 | 11.81 | .79 |