



John Guest®

The World Leader in Push-in Fittings, Pipe and Plastic Plumbing Systems



THE QUEEN'S AWARDS
FOR ENTERPRISE:
INNOVATION
2005

[Company Overview](#)

[Literature Download](#)

[News & Press Releases](#)

[Contact Us](#)

[Home](#)

15 October 2006

Speedfit®

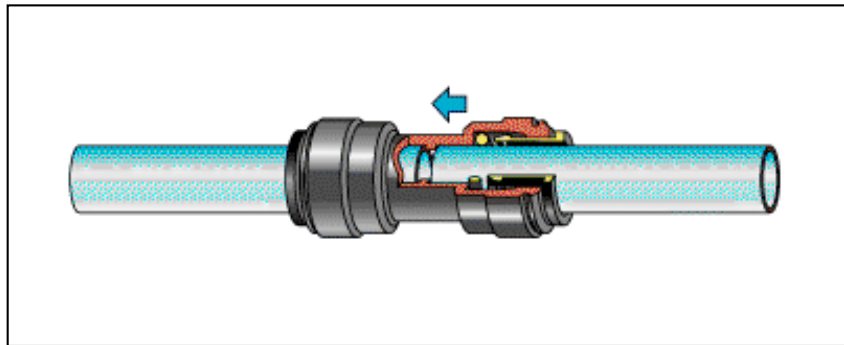
Making a connection with John Guest fittings

[Step 1 - Prepare](#) | [Step 2 - Assemble](#) | [Step 3 - Verify](#)

Step 2 - Assemble the connection

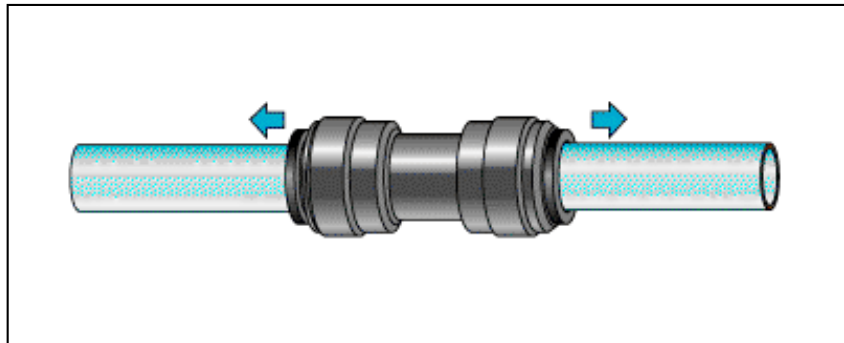
Connecting standard John Guest push-in fittings

Push up to pipe stop



Push the pipe into the fitting, to the pipe stop. The collet (gripper) has stainless steel teeth which hold the pipe firmly in position whilst the 'O' Ring provides a permanent leak proof seal.

Pull to check secure



Pull on the pipe to check it is secure. It is good practice to test the system prior to leaving site and/or before use.

Disconnecting standard John Guest push-in fittings

View Our Products

- [By product range](#)
- [By typical application](#)
- [Quick search](#)
- [Technical specification](#)

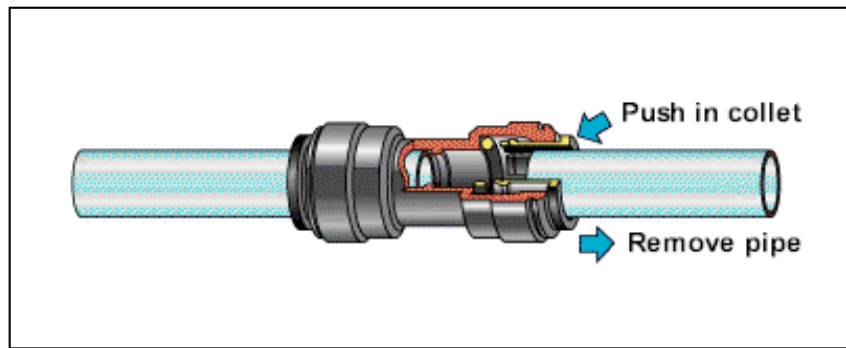
How To Make A Connection

GO

[click here to view our Speedfit® FAQs](#)

[click here to view installation advice for our Speedfit® plumbing and heating products](#)

[click here to view installation advice for our Underfloor Heating range of products](#)



Ensure system is depressurised before removing fittings. Push in the collet against the face of the fitting. With the collet held in this position the pipe can be removed. The fitting can then be re-used.

- ▶ [Standard push-in fittings](#)
- ▶ [Standard Speedfit plumbing fittings](#)
- ▶ [New Twist and Lock Speedfit plumbing fittings](#)
- ▶ [28mm fittings for compressed air applications](#)
- ▶ [Cartridges](#)
- ▶ [Underground fittings](#)

[Disclaimer](#) • [Copyright](#) • [Trademarks](#) • [Privacy Policy](#)

[Back To Top](#) 

[Linking to johnguest.com](#)