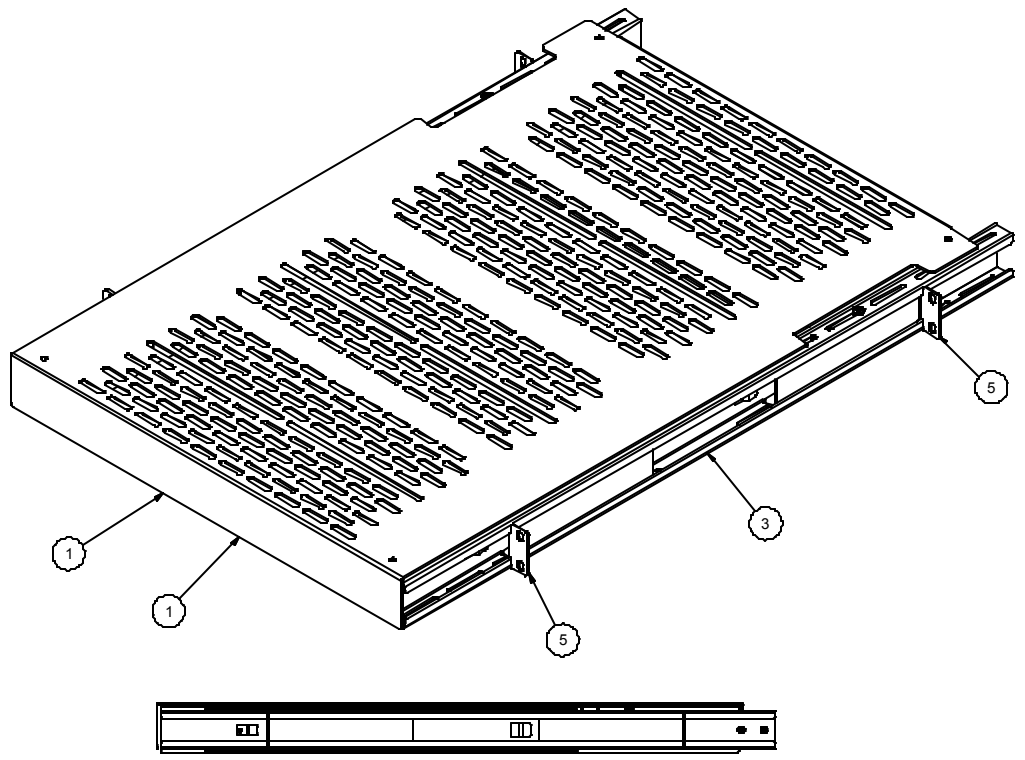
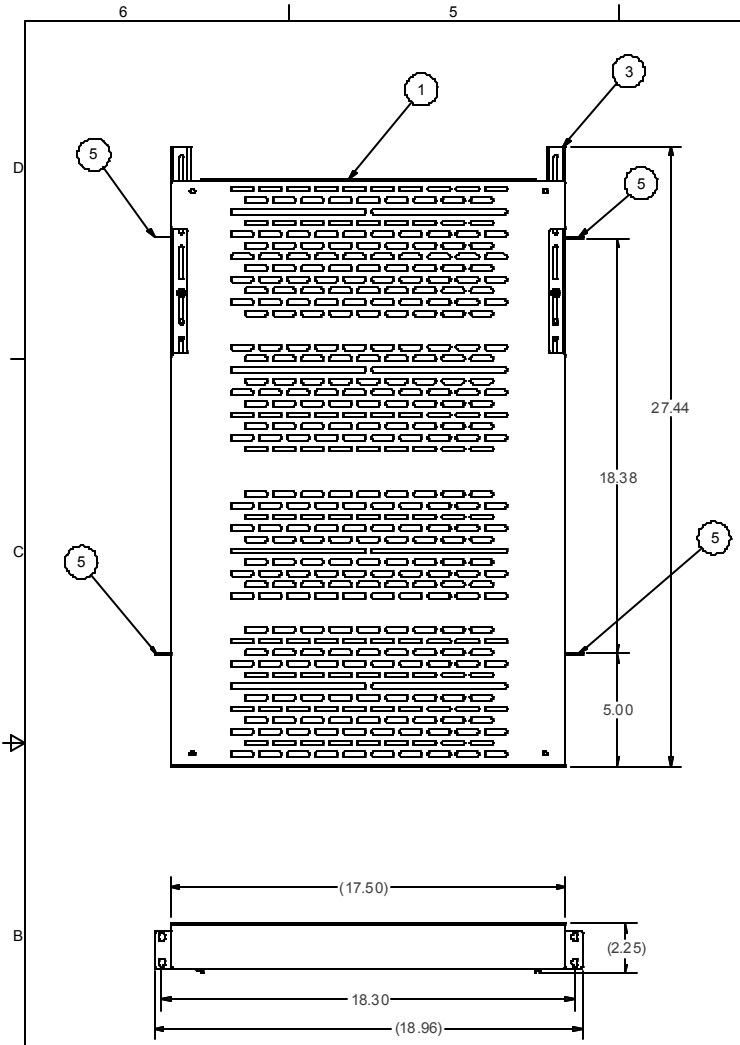


Bill of Material					
ITEM	PART NUMBER	QTY	DESCRIPTION	FILE NAME	REVISION
1	-	1	19" EIA SLIDING SHELF, 26" DEEP WELDMENT	I0008.11.iam	1
2	31241650	2	SLIDE, 16", 17 1/2" TRAVEL, BAYONET ATTACHMENT, DISCONNECT	3124.1650.iam	-
3	7206FRSLADX104	2	MOUNTING CHANNEL - 19" & 23" EIA SLIDING SHELF, 26" DEEP	I0008.09.iam	4
4	-	4	#8-32 x 1/4"L PAN HEAD PHIL TYPE 23 SCREW, ZINC PLATED	SCR832X250BLK.ipt	-
5	7206FRSLADX102	4	MOUNTING TAB FOR FRSLAD SHELVES	I0004.61.ipt	5
6	SCR1032X1/2BLK	4	#10-32 x 1/2"L PAN HEAD PHIL TYPE 23, BLACK	SCR1032X500BLK.ipt	-



NOTES:

- 1) SEE SHEET 2 OF 2 FOR ADDITIONAL ASSEMBLY INFORMATION.
- 2) SLIDES TO OPERATE SMOOTHLY AFTER ASSEMBLY.

- A) Shelf Dimensions: 2.25"H x 17.5"W x 26.0"D
- B) Rack Mounting: 19" EIA
- C) Weight Capacity: 110 lbs.
- D) Standard Tab Placement: 18.375"
- E) Maximum Tab Placement: 32.125"
- F) Gauge: 16 Ga. CRS/Powder Coat, Black Texture
- G) Slide Travel: 17.5"

<p>INTERPRET DRAWING PER ASME Y14.5M-1994 DIMENSIONAL LIMITS APPLY AFTER APPLICATION OF FINISH DRAWING NOT TO SCALE TOLERANCE UNLESS OTHERWISE NOTED: ANGULAR +/- 1P .XXXX +/- .010 .XXX +/- .015 .XX +/- .030 X FOR REF. ONLY UNLESS OTHERWISE SPECIFIED ALL DIMENSIONS ARE IN INCHES</p>

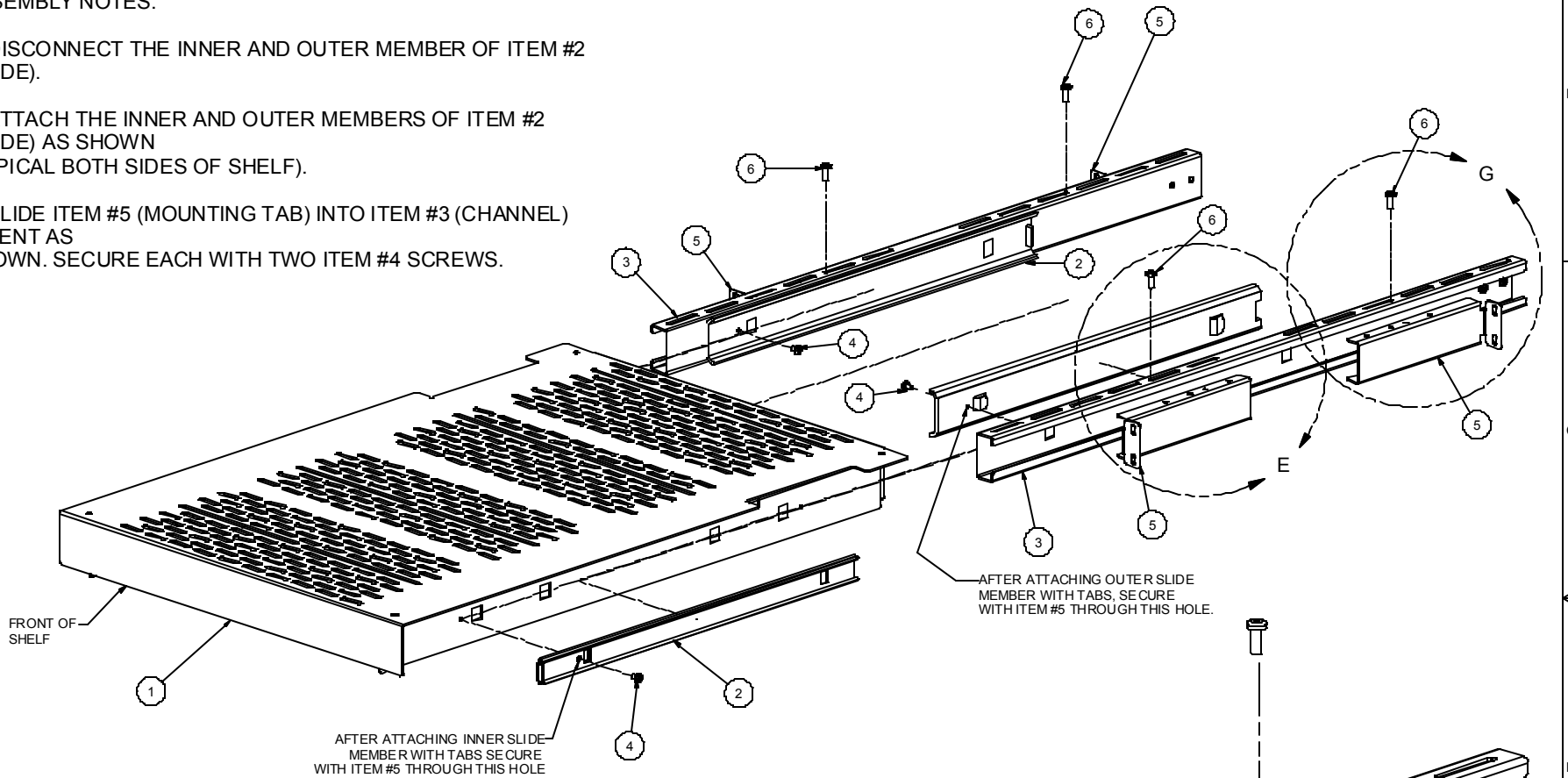
NOTICE:
 Use of this document is subject to a confidentiality and nondisclosure agreement with Great Lakes Case & Cabinet Co., Inc. (GLCC) and may not be reproduced, disclosed or utilized in whole or in part without prior written authorization from GLCC.

PART NUMBER: 7206FRSLADHD
QTY PER UNIT: 1
MATERIAL TYPE: N/A
MATERIAL GAUGE: N/A
FINISH: N/A
DRAWN BY: WSS
DATE: 9/19/02
CHECKED: -

TITLE SHELF, SLIDING ADJUSTABLE, 19" EIA, 26" DEEP	GREAT LAKES CASE & CABINET CO., INC. P.O. BOX 551 EDINBORO, PA 16412 PHONE (814) 734-7303 FAX (814) 734-3907 E-MAIL glccc@greatcabinets.com	
DWG NO: 1000807	REV 5	SHEET 1 OF 2

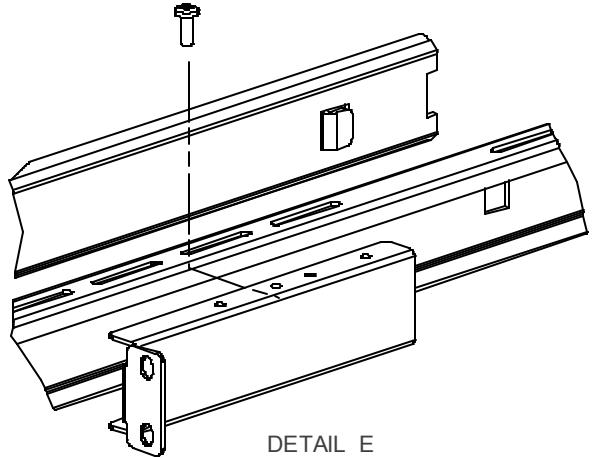
ASSEMBLY NOTES:

- 1) DISCONNECT THE INNER AND OUTER MEMBER OF ITEM #2 (SLIDE).
- 2) ATTACH THE INNER AND OUTER MEMBERS OF ITEM #2 (SLIDE) AS SHOWN (TYPICAL BOTH SIDES OF SHELF).
- 3) SLIDE ITEM #5 (MOUNTING TAB) INTO ITEM #3 (CHANNEL) ORIENT AS SHOWN. SECURE EACH WITH TWO ITEM #4 SCREWS.

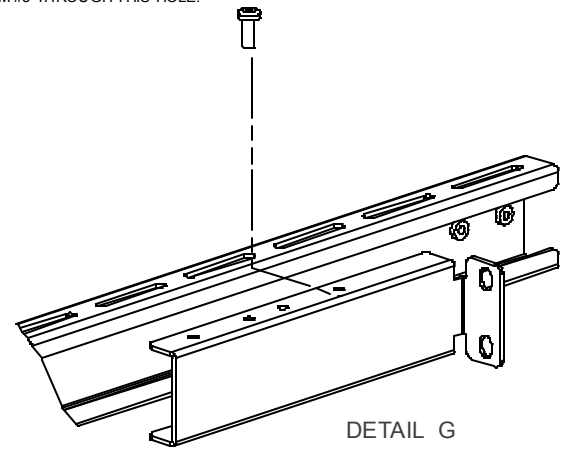


AFTER ATTACHING INNER SLIDE MEMBER WITH TABS SECURE WITH ITEM #5 THROUGH THIS HOLE

AFTER ATTACHING OUTER SLIDE MEMBER WITH TABS, SECURE WITH ITEM #5 THROUGH THIS HOLE.



DETAIL E



DETAIL G

<p>IN TERPRET DRAWING PER ASME Y14.5M-1994 DIMENSIONAL LIMITS APPLY AFTER APPLICATION OF FINISH DRAWING NOT TO SCALE TOLERANCE UNLESS OTHERWISE NOTED: ANGULAR +/- 1- .XXXX +/-.010 .XXX +/-.015 .XX +/-.030 X FOR REF. ONLY</p>
<p>UNLESS OTHERWISE SPECIFIED ALL DIMENSIONS ARE IN INCHES</p>

NOTICE:
 Use of this document is subject to a confidentiality and nondisclosure agreement with Great Lakes Case & Cabinet Co., Inc. (GLCC) and may not be reproduced, disclosed or utilized in whole or in part without prior written authorization from GLCC.

PART NUMBER:	7206FRSLADHD
QTY PER UNIT:	1
MATERIAL TYPE:	N/A
MATERIAL GAUGE:	N/A
FINISH:	N/A
DATE:	9/19/02
CHECKED:	-

TITLE	SHELF, SLIDING ADJUSTABLE, 19" EIA, 26" DEEP		
GREAT LAKES CASE & CABINET CO., INC.			
P.O. BOX 551 EDINBORO, PA 16412			
PHONE (814) 734-7303 FAX (814) 734-3907			
E-MAIL glcc@greatcabinets.com			
DWG NO:	1000807	REV	5
		SHEET 2 OF 2	