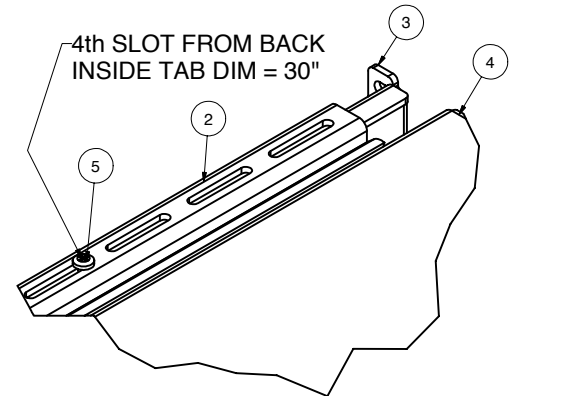


REVISION HISTORY			
REV	DESCRIPTION	DATE	APPROVED
0	ECO-01569	5/17/2005	JL

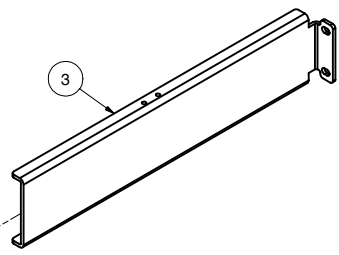
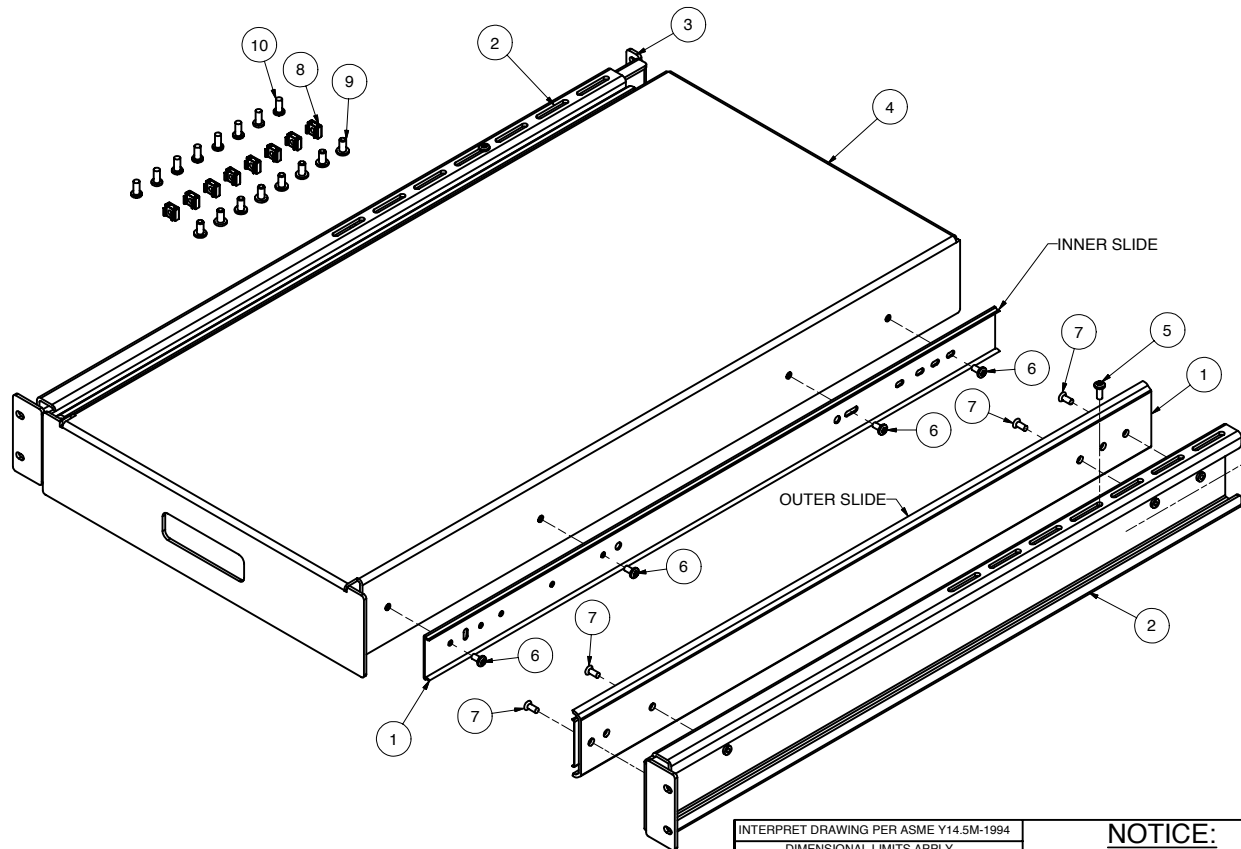
		Bill of Material			
ITEM	PART NUMBER	QTY	DESCRIPTION	FILE NAME	REV
1	CX71352800	2	COMPX PRECISION SLIDE - 28"L - 400# CAPACITY	CX71352800.iam	-
2		2	FIXED SHELF MOUNTING BRACKET	I002785.iam	1
3		2	ADJUSTABLE SHELF MOUNTING BRACKET	I002784.ipt	1
4		1	HEAVY DUTY SLIDING SHELF TRAY - 3.469"H x 17.188"W x 30"D	I002783.iam	1
5	SCR1032X1/2BLK	2	#10-32 x 1/2"L PAN HEAD PHIL TYPE 23, BLACK	SCR1032X500BLK.ipt	-
6	10/32X3/8SC23	8	#10-32 x 3/8"L PAN HEAD PHIL ZN PL TYPE 23 SC	10-32X375SC23.ipt	-
7	SCR1032X3/8FHBLK23	8	#10-32 x 3/8"L FLAT HEAD PHIL SCREW, BLACK TYPE 23	SCR1032X375FHBLK23.ipt	-
8	M6NUT	8	M6 CAGE NUT - ILS #2ZN266246 OR EQUIV.	M6NUT.iam	-
9	M6SCREWBLK	8	M6 x 12mm PAN HEAD BLACK SCREW - ILS #3Z6124427 OR EQUIV.	M6SCREWBLK.ipt	-
10	12/24X1/2SC23BLK	8	#12-24 x 1/2"L PAN HEAD PHIL TYPE 23 SCREW BLACK - ILS #2Z6259041 OR EQUIV.	12-24X500SC23BLK.ipt	-

ASSEMBLY NOTES:

- 1) DISCONNECT THE INNER AND OUTER MEMBERS OF ITEM #1 (SLIDE).
- 2) ATTACH THE INNER AND OUTER MEMBERS OF ITEM #1 AS SHOWN (TYPICAL ON BOTH SIDES OF THE SHELF). SLIDE THE OUTER SLIDE ASSEMBLY BACK ONTO THE INNER SLIDE.
- 3) SLIDE ITEM #2 INTO ITEM #3 (ORIENTED AS SHOWN). ADJUST TO DESIRED MOUNTING DEPTH AND SECURE WITH ONE ITEM #5 SCREW. INSIDE TAB TO INSIDE TAB DIMENSION = 30".
- 4) HARDWARE PACK ITEMS # 10, 11, AND 12 - TO BE SEALED IN A PLASTIC BAG.



DETAIL SCREW PLACEMENT



SHELF SPECIFICATIONS:

- A) Shelf Dimensions: 3.47"H x 17.65"W x 30.0"D
- B) Rack Mounting: 19" EIA
- C) Weight Capacity: 300 lbs.
- D) Standard Tab Placement: 30"
- E) Maximum Tab Placement: 36"
- F) Gauge: .125 Aluminum/Powder Coat, Black Texture
- G) Slide Travel: 28"

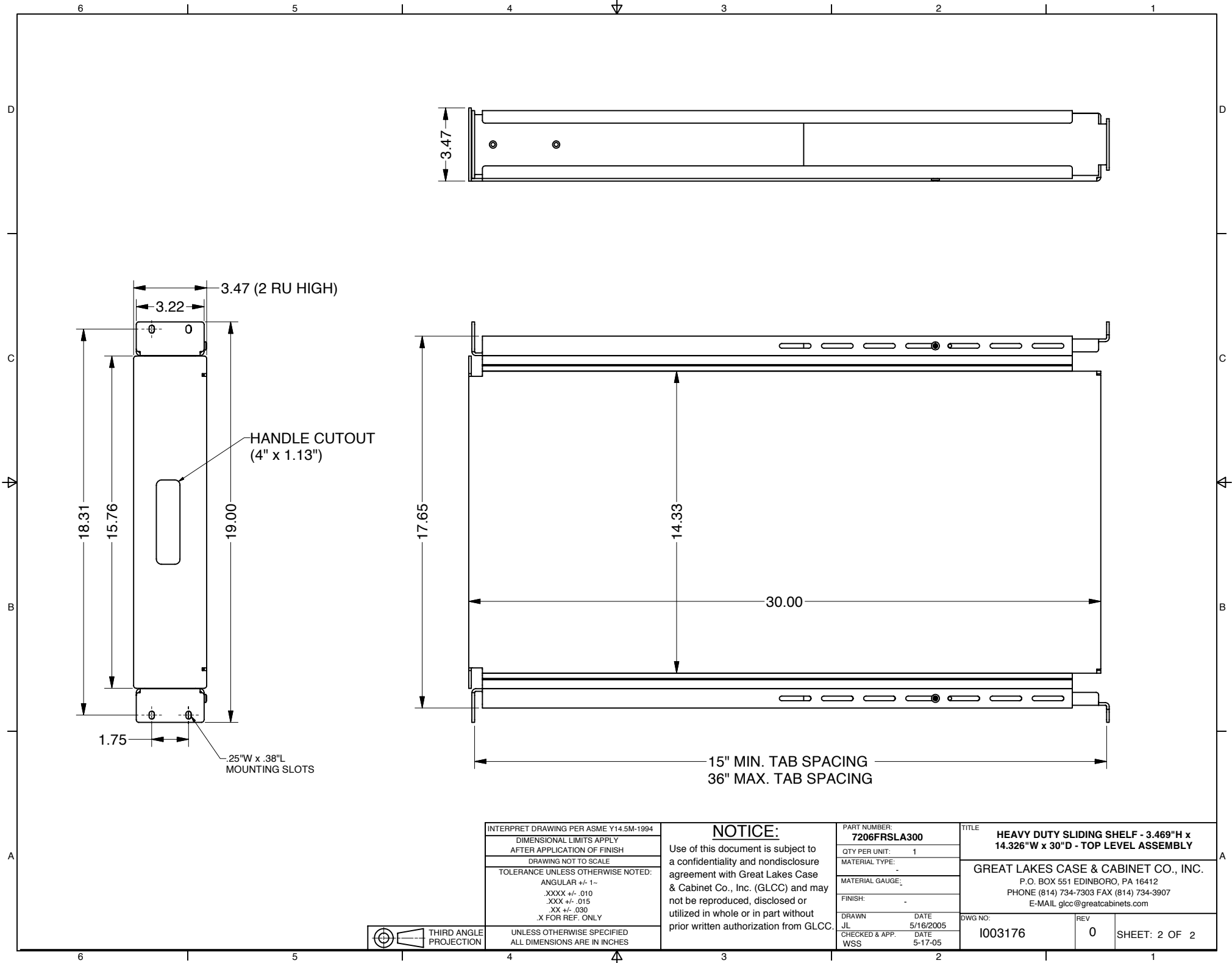
INTERPRET DRAWING PER ASME Y14.5M-1994
DIMENSIONAL LIMITS APPLY AFTER APPLICATION OF FINISH
DRAWING NOT TO SCALE
TOLERANCE UNLESS OTHERWISE NOTED:
ANGULAR +/- 1-
.XXXX +/- .010
.XXX +/- .015
.XX +/- .030
.X FOR REF. ONLY
UNLESS OTHERWISE SPECIFIED ALL DIMENSIONS ARE IN INCHES

NOTICE:
 Use of this document is subject to a confidentiality and nondisclosure agreement with Great Lakes Case & Cabinet Co., Inc. (GLCC) and may not be reproduced, disclosed or utilized in whole or in part without prior written authorization from GLCC.

PART NUMBER:	7206FRSLA300
QTY PER UNIT:	1
MATERIAL TYPE:	-
MATERIAL GAUGE:	-
FINISH:	-
DRAWN	DATE
JL	5/16/2005
CHECKED & APP.	DATE
WSS	5-17-05

TITLE	HEAVY DUTY SLIDING SHELF - 3.469"H x 14.326"W x 30"D - TOP LEVEL ASSEMBLY	
	GREAT LAKES CASE & CABINET CO., INC. P.O. BOX 551 EDINBORO, PA 16412 PHONE (814) 734-7303 FAX (814) 734-3907 E-MAIL glcc@greatcabinets.com	
DWG NO.	I003176	REV
		0
SHEET: 1 OF 2		





3.47 (2 RU HIGH)

3.22

18.31

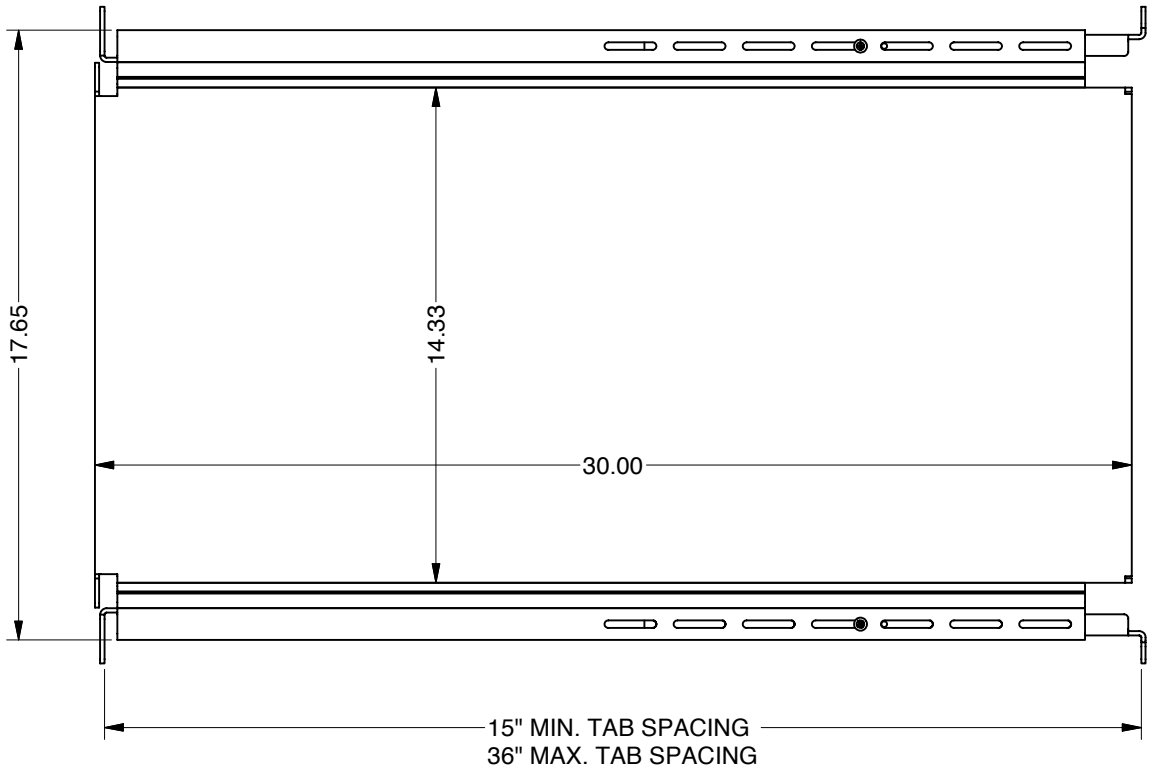
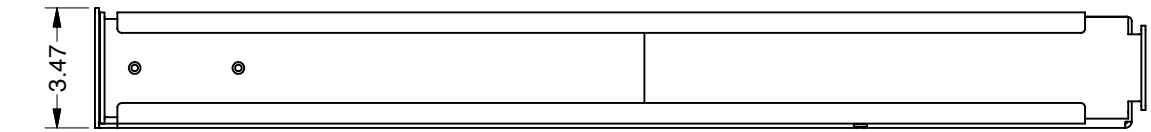
15.76

19.00

HANDLE CUTOUT
(4" x 1.13")

1.75

.25"W x .38"L
MOUNTING SLOTS



INTERPRET DRAWING PER ASME Y14.5M-1994

DIMENSIONAL LIMITS APPLY
AFTER APPLICATION OF FINISH

DRAWING NOT TO SCALE

TOLERANCE UNLESS OTHERWISE NOTED:

ANGULAR +/- 1°

.XXXX +/- .010

.XXX +/- .015

.XX +/- .030

.X FOR REF. ONLY

NOTICE:

Use of this document is subject to a confidentiality and nondisclosure agreement with Great Lakes Case & Cabinet Co., Inc. (GLCC) and may not be reproduced, disclosed or utilized in whole or in part without prior written authorization from GLCC.

PART NUMBER:
7206FRSLA300

QTY PER UNIT: 1

MATERIAL TYPE: -

MATERIAL GAUGE: -

FINISH: -

DRAWN: JL DATE: 5/16/2005

CHECKED & APP. DATE: WSS 5-17-05

TITLE
HEAVY DUTY SLIDING SHELF - 3.469"H x 14.326"W x 30"D - TOP LEVEL ASSEMBLY

GREAT LAKES CASE & CABINET CO., INC.
P.O. BOX 551 EDINBORO, PA 16412
PHONE (814) 734-7303 FAX (814) 734-3907
E-MAIL glcc@greatcabinets.com



UNLESS OTHERWISE SPECIFIED
ALL DIMENSIONS ARE IN INCHES

DWG NO: **1003176**

REV: **0**

SHEET: 2 OF 2