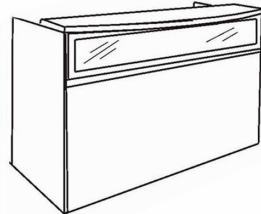


Reception Desk with Glass Window Assembly Instructions



BK/CH/FL/ML/MWAL/WH2069+GLASS

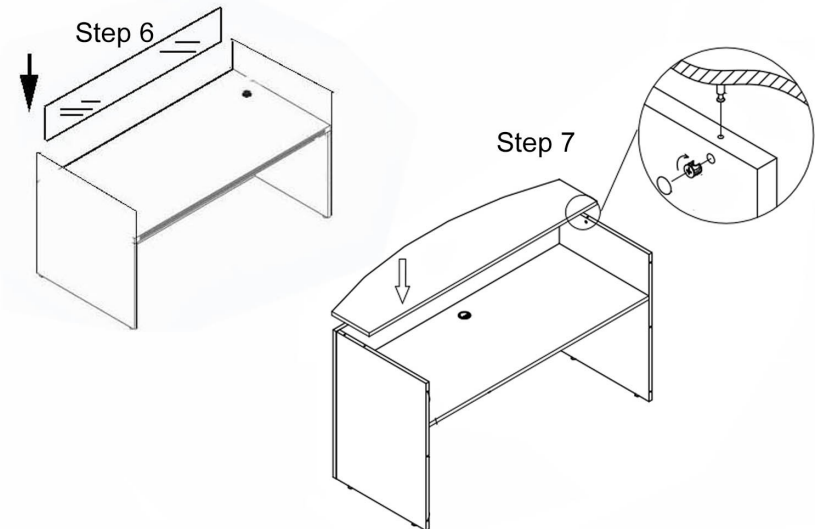
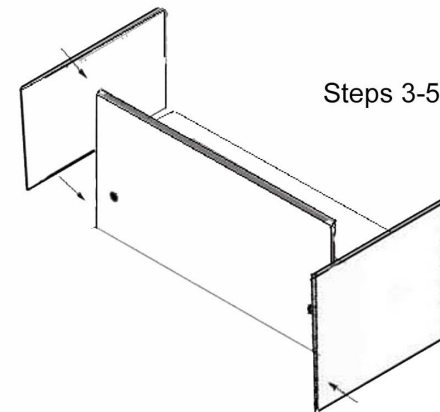
List of Hardware:

Part	Part
 Wood Dowel	 Cap
 Cam Pin	 Leveling Glide
 Cam Lock	 Grommet

Tools Needed:

- Phillips Screwdriver
- A helper!

- 1.) Assemble on carpet or cardboard to protect parts during assembly. Assembly will require 2 people for safety.
- 2.) First, screw in all leveling glides and insert all wooden dowels, cam locks and cam pins into the panels
- 3.) Lay the front panel on the ground and connect one of the Side Panels. Use a Phillips Screwdriver to twist each cam lock to secure each cam pin.
- 4.) Next, attach the desktop to the Side Panel and Front Panel.
- 5.) Attach the other Side Panel.
- 6.) Stand the desk upright with a helper. Then, place the Window over the desktop, making sure the wooden dowels are inserted into the desktop to go into the window frame.



- 7.) Attach the counter top to the Window and Side Panels.

- 8.) Your last step is to insert the grommets into the desktop and caps over the cam locks.

Questions? Please call 1-800-443-5117.
Customer Service available 8:30 - 5:00 Central Time, Monday - Friday

