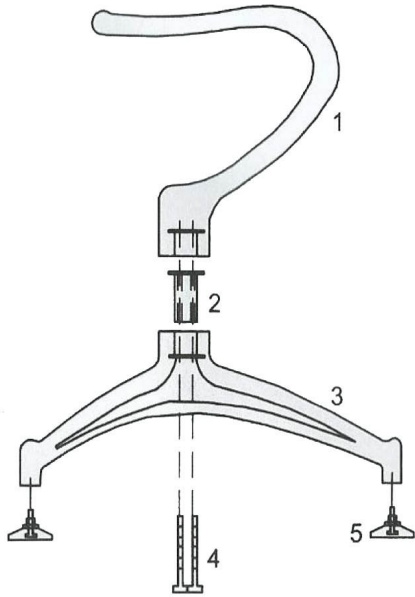


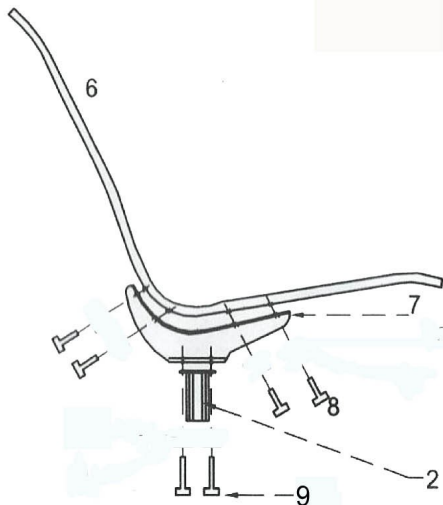
Beam Seating Assembly Instructions

Applies towards:
Single Seater, 2-Seater
3-Seater, 4-Seater and
5-Seater

How to Install Arm/End Frame



How to install seat to beam



- 1.) Start by assembling arm/end frames to the beam shown in the first diagram.
- 2.) Attach the seats next using the second diagram. Repeat process for each seat.
- 3.) If you purchased a table, they attach in the same way as the seats to the beam.

No.	Name
1	Armrest
2	Beam
3	Leg
4	M10 (4-5/16") Bolt
5	Leveling Glide/Foot
6	Seat/Back
7	Seat Bracket
8	M8 (1/2") Screw
9	M8 (3/4") Screw
10	Large Allen Wrench
11	Small Allen Wrench



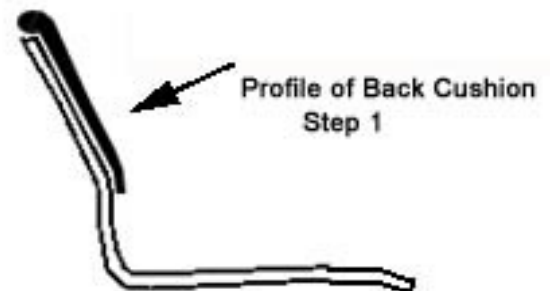
MODERN OFFICE

Attaching Cushions for Fully Upholstered Heavy-Duty Beam Seating Series

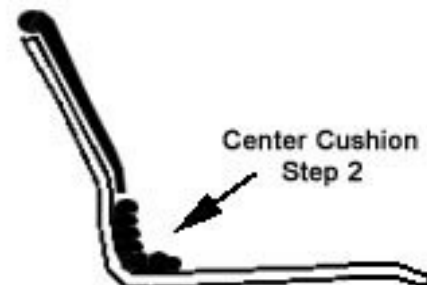
The cushions are comprised of three sections for each chair:
- a back cushion, a curved center cushion and a seat cushion.
Cushions are shipped detached for easy replacement if required.



1.) Begin with the back cushion. This cushion measures about 13-1/2"H. The thicker edge of the cushion aligns with the top edge of the backrest. Four screws are used per cushion. Align cushion with the curvature of the backrest. Using one hand to hold the cushion firmly in place, attach a wood screw into one of the upper back corners. Next, proceed to attach the opposite upper corner screw, followed by the bottom screws, also in the outer corners.



2.) Next, attach the curved center cushion. You can identify this cushion by the ribbed stitching. The taller half of the curved cushion will be up against the backrest. Connect with the four wood screws in the outside corners of the cushion in the same manner as the backrest cushion.



3.) Last, connect the seat cushion. The seat cushion measures approx. 15" deep. Align the thicker front edge for the cushion with the front curvature of the seat. It may be easier to connect the seats with the beam seating unit on its backside for this step. Use the four wood screws to attach the seat at its four corners.



Please note there will be an approximate 1/4" gap between each cushion. This is intended for compression of the cushions while in use.

Questions? Call customer service toll free at 1-800-443-5117
Monday-Friday, 8:30 - 5:00, Central Time