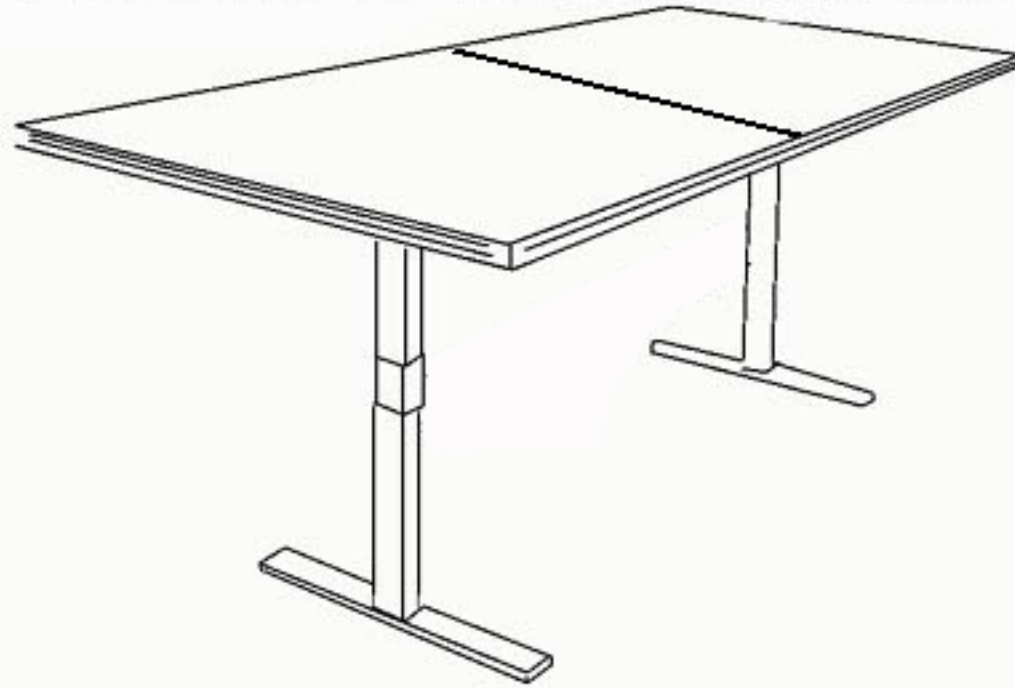
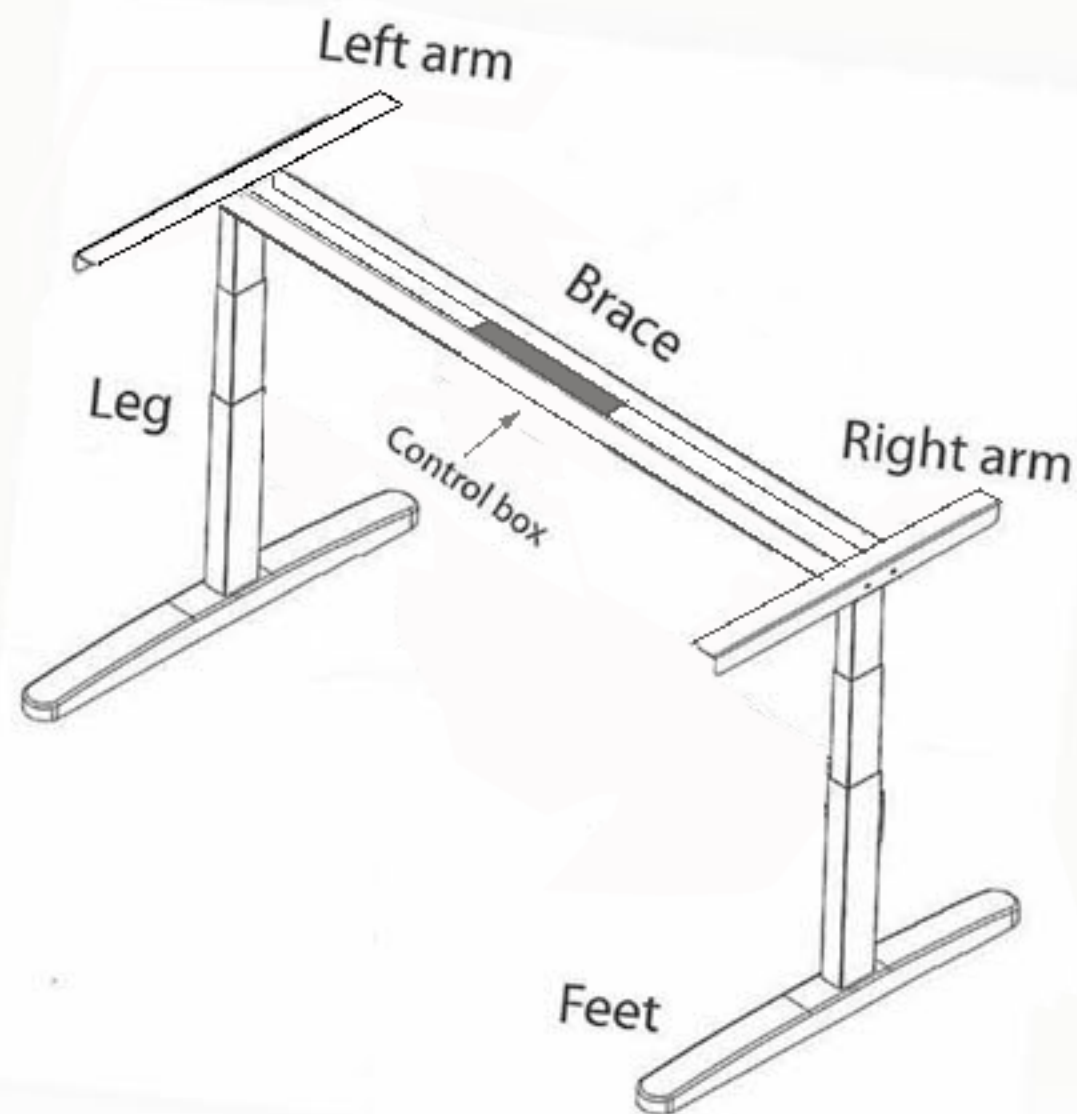


Electric Lift Conference Table ASSEMBLY INSTRUCTIONS



1.) Begin by assembling electric powered table base as per instructions included with motor. Plug in base and move to its lowest position for ease of handling when mounting to the table.



2.) One Piece Table Tops:

Follow these instructions if you have purchased a table with a one piece table top.

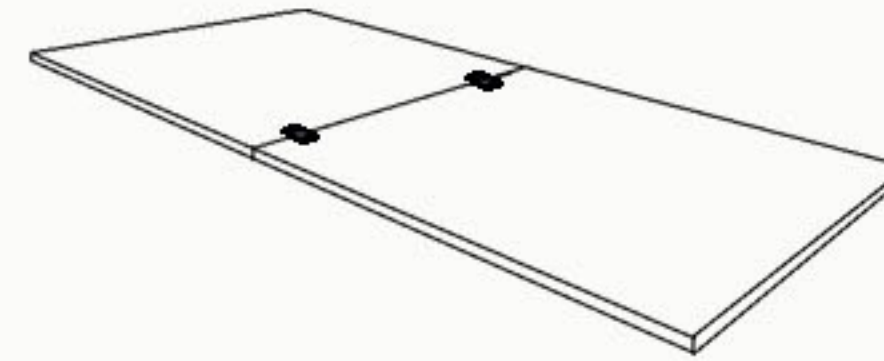
Lay table top upside down on a smooth, clean, carpeted surface to prevent scratches or damage to the top during assembly. Proceed to Step 4.



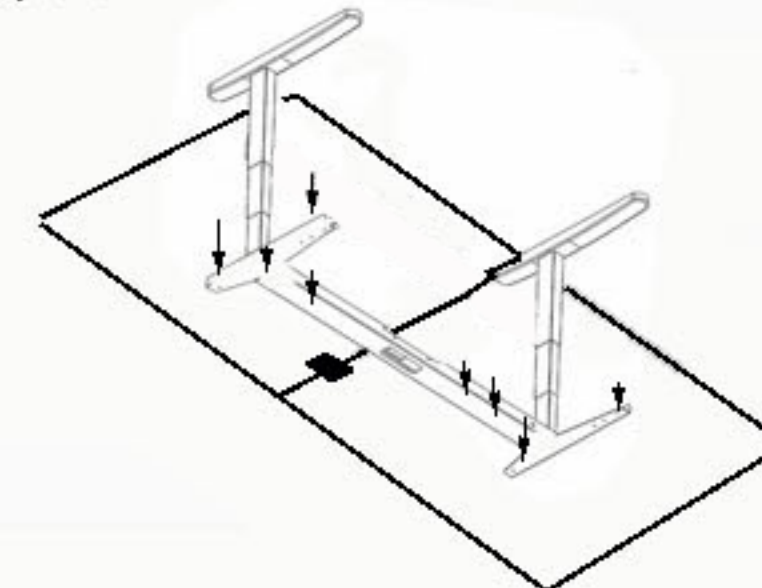
3.) Two Piece Table Tops:

Follow these instructions if you have purchased a table with a two piece table top.

Lay table tops upside down on a smooth, clean, carpeted surface to prevent scratches or damage to the tops during assembly. Position the two tops snugly together and connect with brackets and screws provided.



4.) Table base will be connected to table top while upside down. Center the table base by aligning the ends of the base 15-1/2" from the ends of the table top. Position the center support accordingly. *Holes are not predrilled in underside of table top so that a good, tight connection is made. Using a powered screwdriver, connect the electric powered table base with the wood screws provided. The screws have a pointed tip and are self-tapping, so no predrilling is required.* Then, carefully turn over table with a person on each end for support.



5.) Last step is to mount the handset under the table top in position of choice.