

## Technology Table Assembly Instructions



### Tools Needed

- A helper
- 5 mm Allen Wrench (provided)

- Rubber Mallet
- Power Drill or Screwdriver
- WD40 or similar lubricant

### Parts:



### Hardware Included:

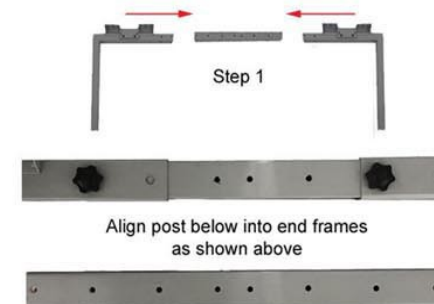


### Parts Included with Add On (if purchased):



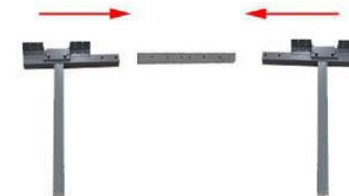
### Step 1

Locate your first set of end frames, one connecting post and two tension knobs. The connecting post will have holes drilled on two sides of the square tube. Make sure these holes line up with the holes in the end frames. Insert the connecting post into the end frames. If post does not slide by hand, try a few squirts of WD40 and tap the frames with a rubber mallet until the post slides in. Position the connecting post as shown in the diagram below. Once the holes are aligned, screw in two tension knobs.



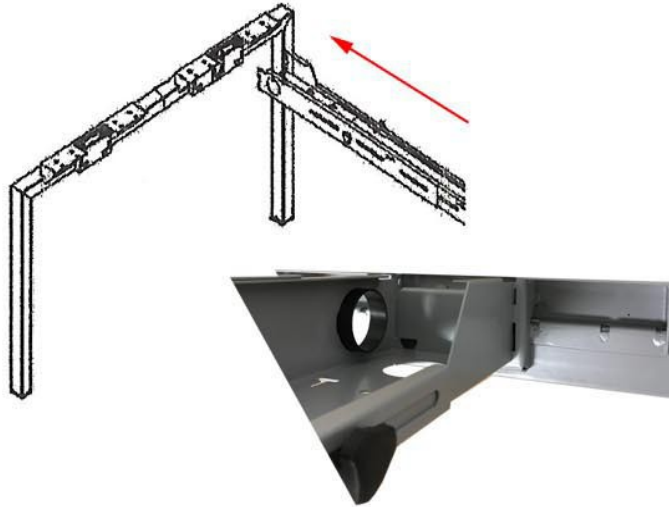
### Step 2

Locate the 2 Center Legs, one connecting post and two tension knobs. Repeat the same steps as described above for the Center Legs and attach connecting post in same way.



### Step 3

Locate two cableway braces. Remove all tension knobs on the braces. The cableway braces fit into the end frames by hand, by inserting the tabs into the slots on the end frames. With two people, have one person hold the end frame upright while the other inserts the cableway braces. Then, using a rubber mallet, tap down on the cableway braces to lock into the frame.



### Step 4

Now, repeat the same process with the center legs. Connect the other sides of the cableway braces to the center legs in the same manner. Once done, your frame will look like this:



### Step 5

For the next step you will need four flat brackets, eight M6 screws and the Allen Wrench provided. Connect the flat brackets to the tops of the cableway braces with two screws each:



### Step 6

The table frames are adjustable to fit a variety of table top sizes. The cableway braces slide in and out so you can adjust the width to your specific table top size.

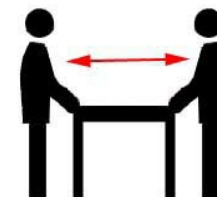
First, you'll need to determine how wide the frame needs to be. Find your tabletop size on the chart below:

Table Top Size	A
48"x24"	47-1/4"
60"x24"	60"
66"x30"	66"
72"x24"	72"
71"x28"	71"

"A" is from the outside edge of the end frame leg to the edge of the bracket on the Center Leg.



Then, with one person on each side of the frame, push/pull the frame until the frame is to your specified A measurement. Then, screw in all of the tension knobs on the braces and fully tighten.



## Step 7

If you purchased an “add-on” table section, then assemble your next set of Center Legs with one connecting post and two tension knobs, just like shown in Step 2. Then repeat Steps 3-6 to connect Cableway Braces, Flat Brackets and adjust the width. Repeat all of these instructions for each add-on workstation kit purchased.

If you did not purchase an add-on, locate your last set of End Frames and assemble as shown in Step 1. Then repeat Steps 3-6 to connect Cableway Braces, Flat Brackets and adjust the width of the table tops.

Assembled 8' Table Frame

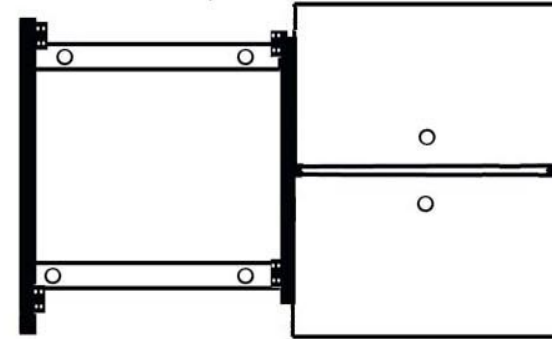


## Step 8

Once your entire frame is completely assembled, your next step will be to attach the table tops. Locate your bag of wood screws.

First, determine how you want your table tops spaced down the center of the table. You can mount the table tops flush together or leave a few inch gap down the center to route cords. Position all table tops first by setting them down on the frame. Once in place, use the self-threading wood screws to attach the tops to the built-in brackets on the frame.

## Step 8



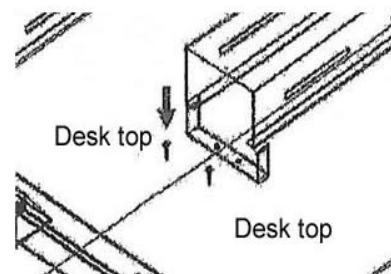
## Step 9 - Optional

Shared Cable Troughs are optional. They allow cords to be routed from the grommets in the desktop, under the desk into a shared trough.

Clip the Hanging Brackets onto the Shared Cable Troughs by hand. They snap into the slots on the sides of the trough.

Using two wood screws per bracket, attach Shared Cable Trough by centering the trough on the seams of the desktops, under the desk.

View from underside of desk:



Cut away view:

