




Round Conference Table Assembly Instructions

Applies to:
MJ2023-CHL
FL/WH2021
1019-CHV/MHV



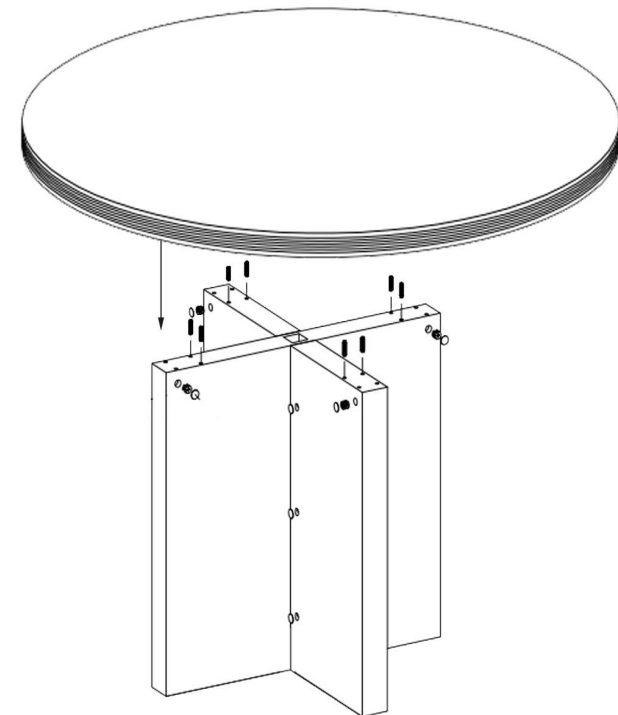
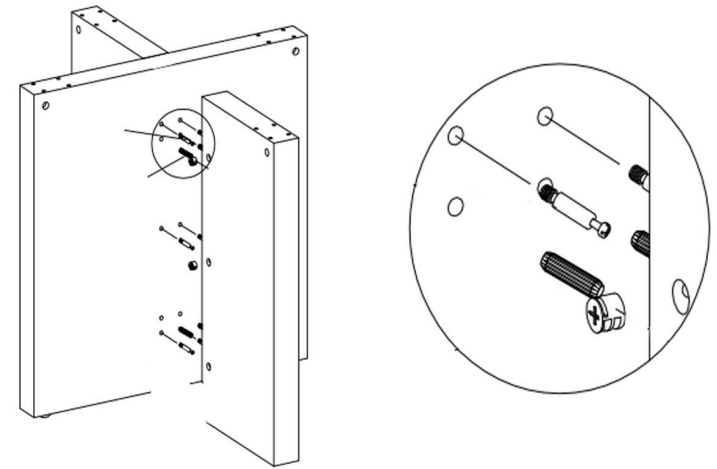
List of Hardware:

Part	Part
 Wooden Dowel	 Leveling Glide
 Cam Lock	 Deep Cover
 Cam Pin	

- 1.) Insert leveling glides into the panels that make up the table base.
- 2.) Insert all cam locks, cam pins and wood dowels into panels that make up the table base and the table top.
- 3.) Connect panels together & twist round cam locks with a Phillips Screwdriver to secure.
- 4.) Attach table top in same manner.
- 5.) Insert deep covers over cam locks.

Special Note:

Location & number of cam pin, cam lock and dowel holes may vary.



Questions? Please call 1-800-443-5117.

Customer Service available 8:30 - 5:00 Central Time, Monday - Friday