

### Metal Disc Base Table Assembly Instructions



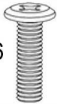

Applies towards:

Y12690-92 = 19"H Coffee Tables

Y12693-95 = 29'H Meeting Tables

Y12696-98 = 41"H Cafe Height Tables

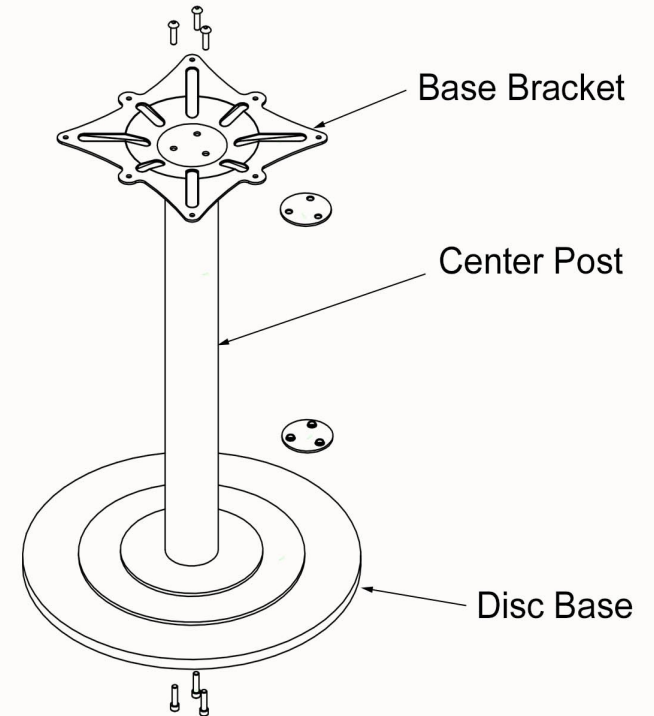
#### List of Hardware:

Part	Part
Bolt Qty 6 	Wood Screw Qty 8 

Questions? Please call 1-800-443-5117.

Customer Service available 8:30 - 5:00 Central Time, Monday - Friday

1.) Use 6 Bolts to attach the Center Post to the Disc Base and Base Bracket. Allen Wrench is included.



2.) For ease of attaching table top to base, assemble upside down. Lay table top on floor. *Please note you will be making your own holes with the Wood Screws, so use either side of the table top.* Center table base upside down on table top. Using a screwdriver, screw 8 self-threading Wood Screws through holes in base bracket into table top.

