

Flip Top Training Table Assembly Instructions

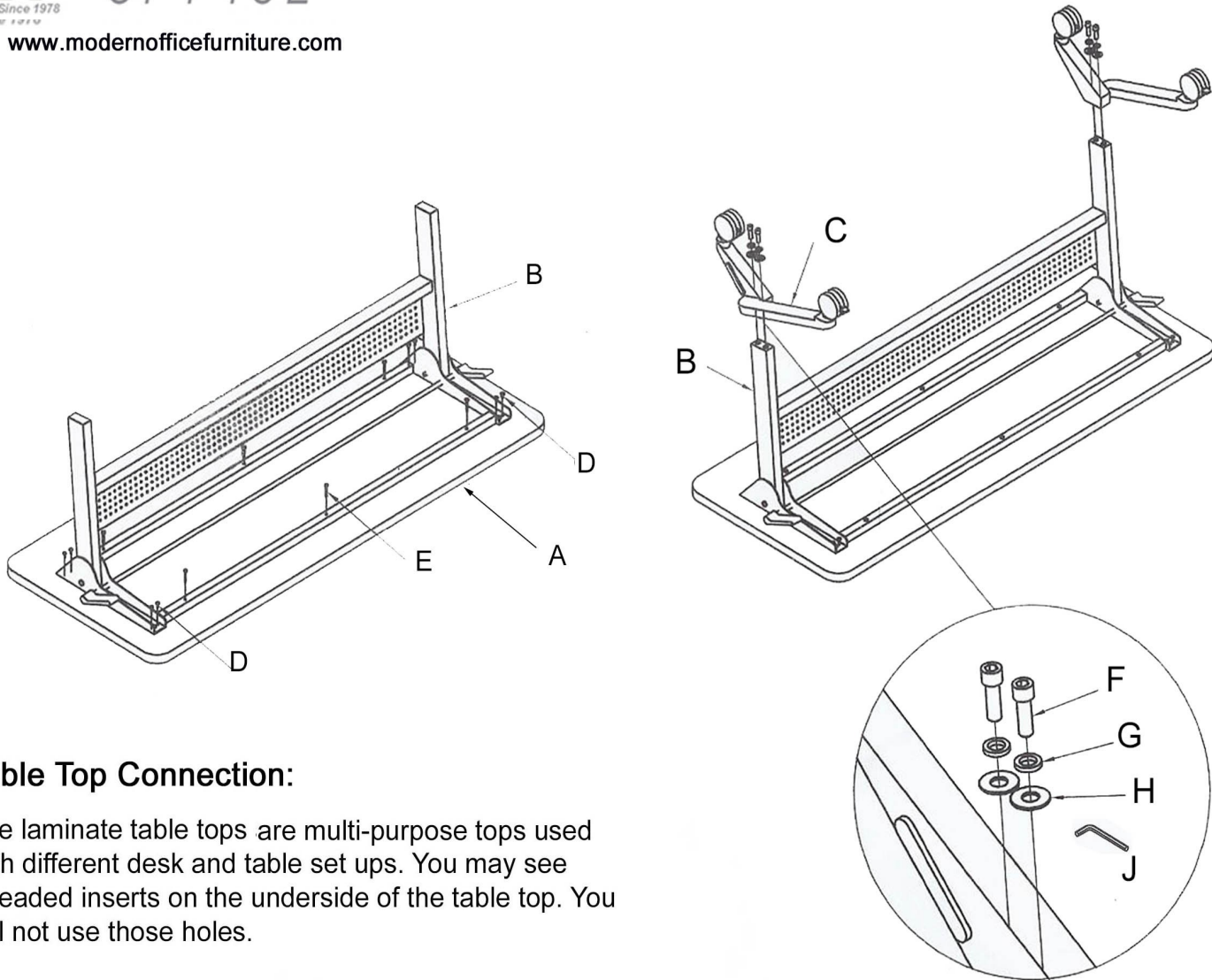


Table Top Connection:

The laminate table tops are multi-purpose tops used with different desk and table set ups. You may see threaded inserts on the underside of the table top. You will not use those holes.

To attach the table top to the base, use the self threading wood screws included.

Self-threading wood screws allow positioning of table top on base for your specific table configuration (back-to-back, in-line, etc.) Screws fasten directly into underside of top for a firm and solid connection.

A	TOP		QTY 1
B	FRAME		QTY 1
C	BASES		QTY 2
D	SCREW ST4*16		QTY 8
E	SCREW ST4*40		QTY 6
F	BOLT		QTY 4
G	LOCK WASHER		QTY 4
H	WASHER		QTY 4
J	ALLEN WRENCH		QTY 1

Questions? Please call 1-800-443-5117.

Customer Service available 8:30 - 5:00 Central Time, Monday - Friday