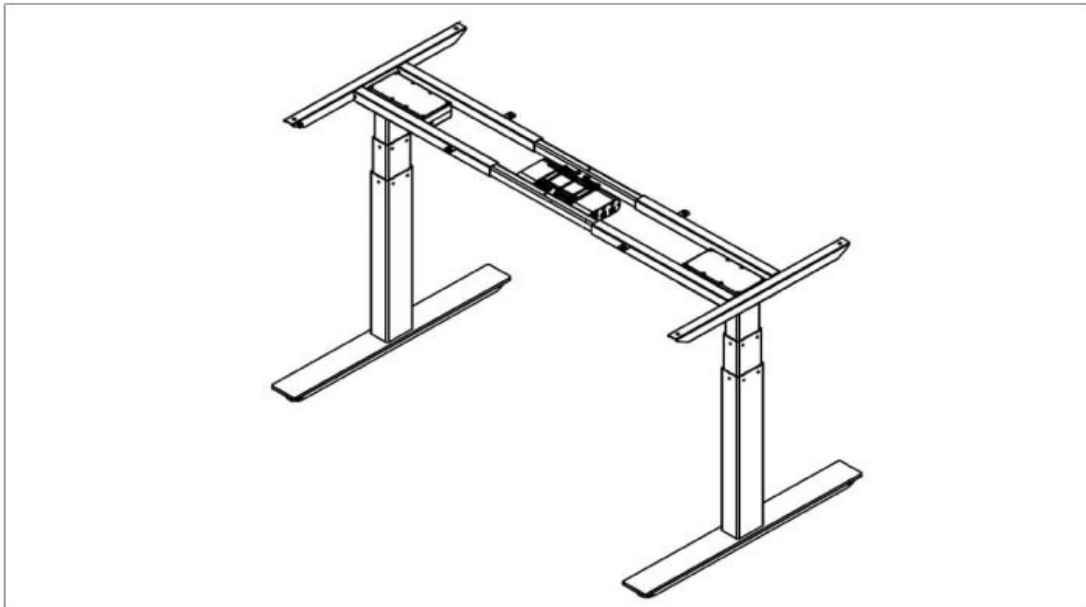




MODERN
OFFICE

Electric Height Adjustable Desk Frame



A6 SERIES INSTRUCTIONS FOR ASSEMBLY AND USE



WARNING

Please provide this operation to any users, installers, or support personnel operating the product.

Inappropriate use of this product may cause property or bodily injury. Do not move around, crawl or lie under the desk frame. Do not sit or stand on the desk frame.

Check that no cables can get jammed.

The desk height is adjustable so that it can be positioned at the most ergonomically suitable height. The desks are designed only for the purposes included in this manual. They should not be used in environments with high humidity or dampness.

A6 series parameter instructions

Electric Control Part :
Input Voltage : AC 110V /220V can use
Output Voltage : DC 24V
Duty Cycle : Max.10%
Switch power supply,low energy consumption
Manual device can move and long press

Desk frame part:
Built-in limit switch
Dynamic load : 120KG
The maximum static load : 140KG
Load speed : 30mm/s
Lift range : 620mm~1270mm
The length of the adjusting range : 1100mm~1600mm

Other part:
Packing Size : 1080*270*325mm 1Set
Gross Weight : 41KG

Safety and warnings

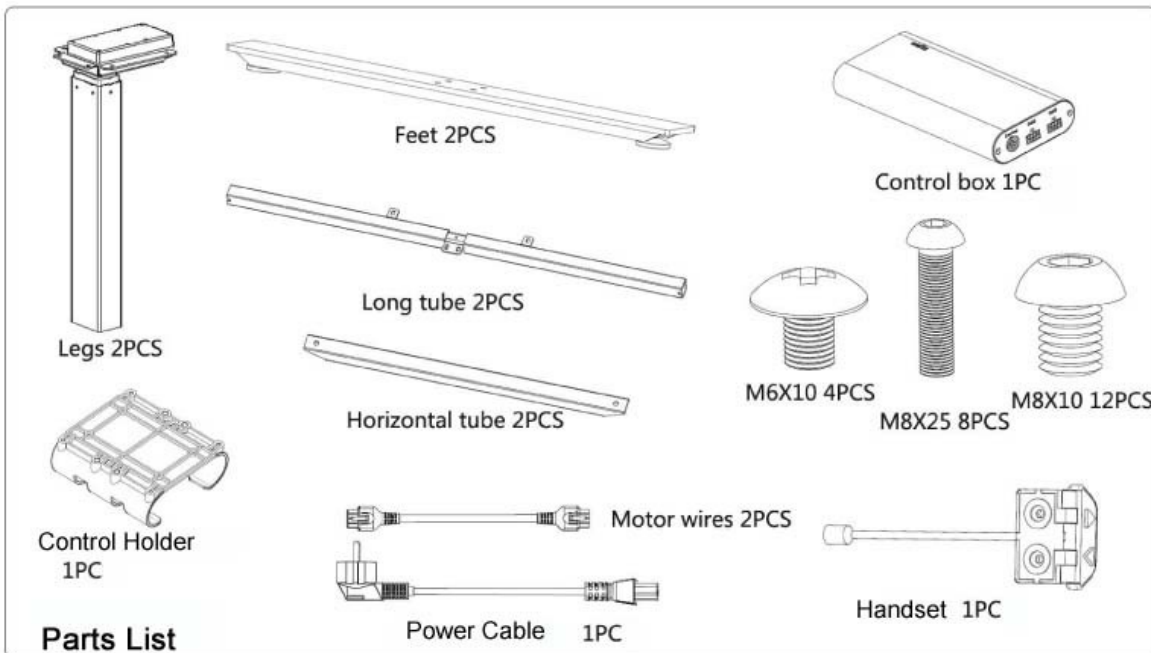
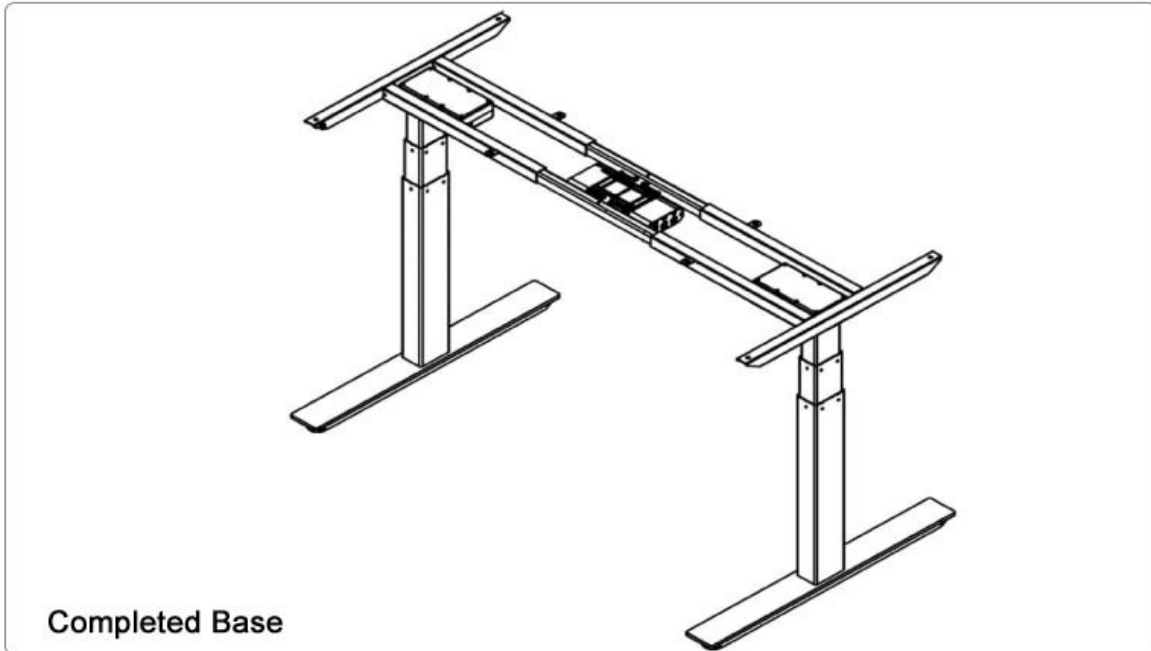
This appliance can be used by children aged from 8 years and above and persons with reduced physical, sensory or mental capabilities or lack of experience and knowledge if they have been given supervision or instruction concerning use of the appliance in a safe way and understand the hazards involved. Children shall not play with the appliance.Cleaning and user maintenance shall not be made by children without supervision.



Correct Disposal of this product

This marking indicates that this product should not be disposed with other household wastes throughout the EU. To prevent possible harm to the environment or human health from uncontrolled waste disposal, recycle it responsibly to promote the sustainable reuse of material resources.

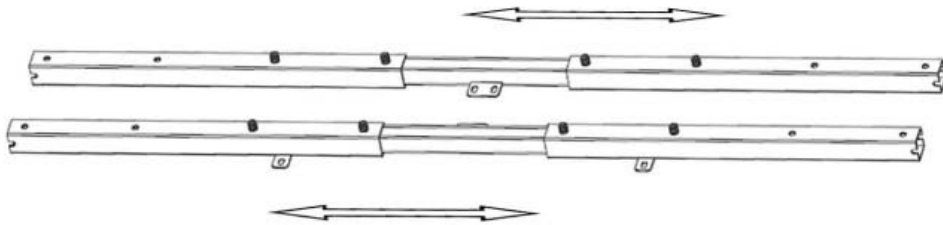
Desk frame installation instructions



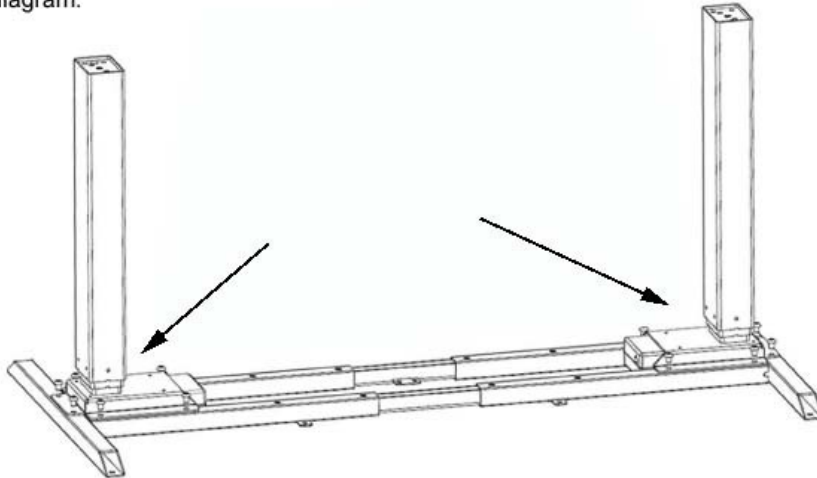
Assembly Instructions

1. The width of your electric lift table base is determined by positioning of the sliding horizontal support bars (Long tubes). To adjust, lie the supports on your work surface with the mounting brackets downward and the eight set screws facing upward. By loosening these set screws the horizontal supports can be slid to any width desired within the limitations of the motor wire length. Tightening the set screws will lock the bars into position.

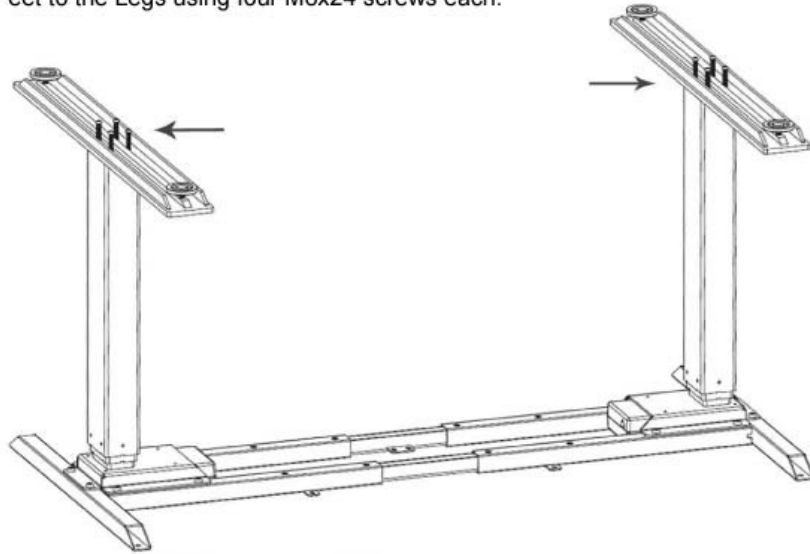
When on the final step of connecting the table base to your work surface, you will want to loosen these set screws again to fine tune the base to the desired width appropriate for your particular work surface.



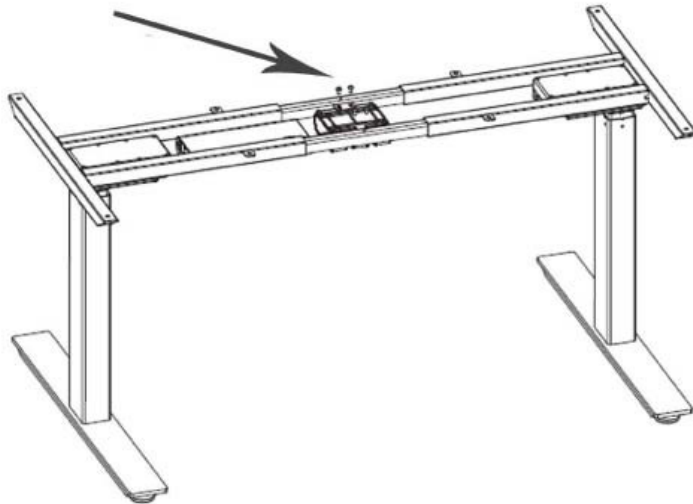
2. Connect the legs to the Long tube supports using eight of the M8x10 screws for each leg. Next, connect the Horizontal tube supports to the Legs also using the M8x10 screws as shown in the diagram.



3. Connect the Feet to the Legs using four M8x24 screws each.

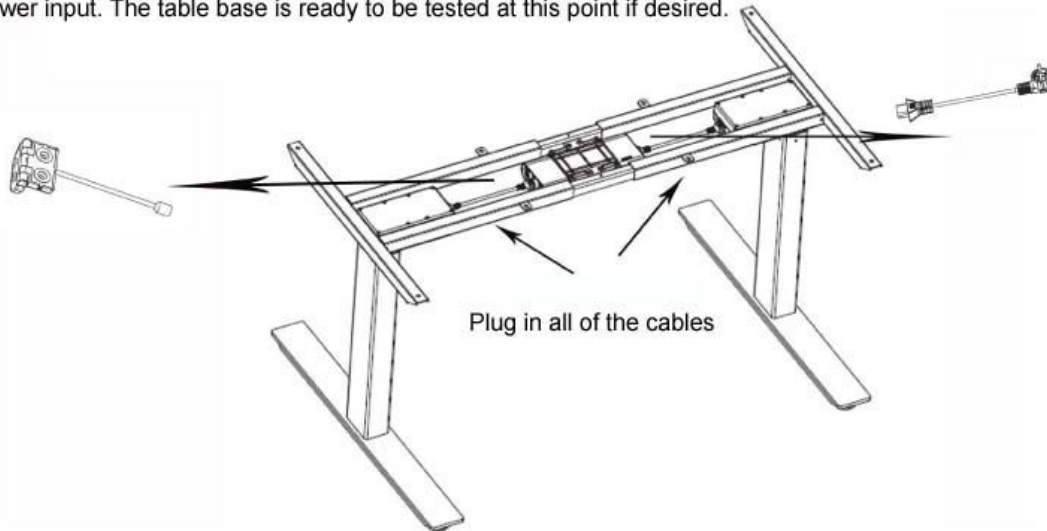


4. Turn the table base upright for connection of the Control holder. Connect the Control holder with four M6x10 screws. The Control box will then slide into the Control holder.



5. Cable connections:

Connect one each Motor wire between each motor and into the Control box. Now connect the Handset to the outlet on the control box labeled "control". Last, connect the Power cable to the power input. The table base is ready to be tested at this point if desired.

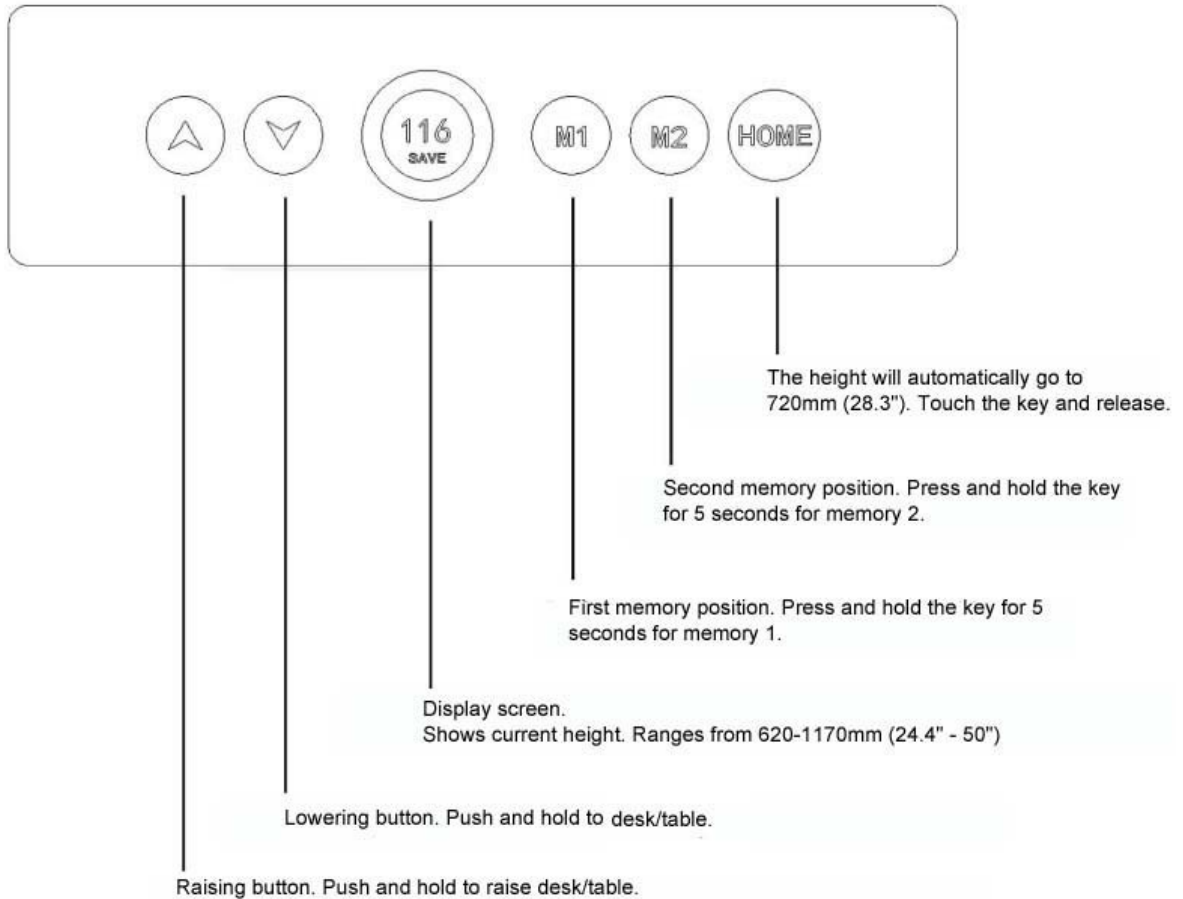


6. Now mount the electric lift base to the work surface. Place the work surface upside down on a clean, smooth surface. Turn the electric lift base upside down and position squarely on the work surface. The base width may need to be adjusted as you would like. This is done by loosening the eight set screws, sliding the long tubes as needed, and then tightening the eight set screws.

Once the base is positioned properly, use the 10 self-threading wood screws provided to connect the base through the 10 holes in the frame. No holes are predrilled on the work surface since this base can be adjusted in width and used with a variety of work surfaces. No predrilling is required. The screws are coarse thread and self-threading for an easy and firm connection using a standard power screwdriver or drill.

The final step is to mount the Handset to the underside of the worksurface in the desired position using two wood screws.

Handset Usage Instructions



Mode of Operation

1. Lightly touch up/down button and hold the key to raise and lower the desk height.
2. Press HOME button and quickly release to move the base height (without work surface) to a normal desk height of 28.3".
3. To set M1 and M2 height memories press and hold key in for 5 seconds. Once set in memory, quickly press M1 or M2 to achieve programmed in height.
4. After 30 seconds of not touching the keypad, display screen lights will turn off.
5. To start keypad push either up or down to light up.