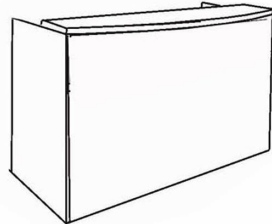


Cherry Laminate Reception Desk Assembly Instructions



MJ2069-CHL

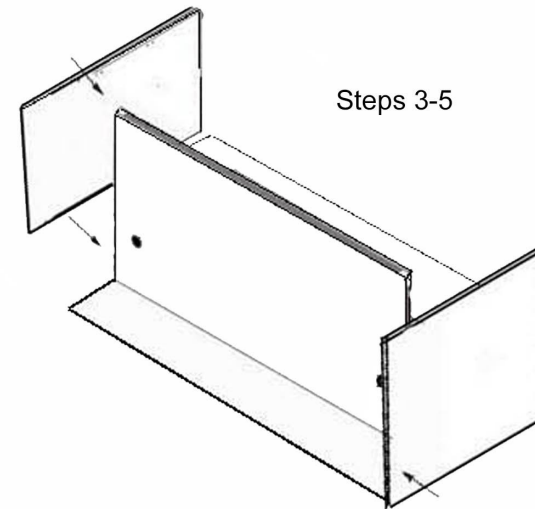
List of Hardware:

Part	Part
 Wood Dowel	 Cap
 Cam Pin	 Leveling Glide
 Cam Lock	 Grommet

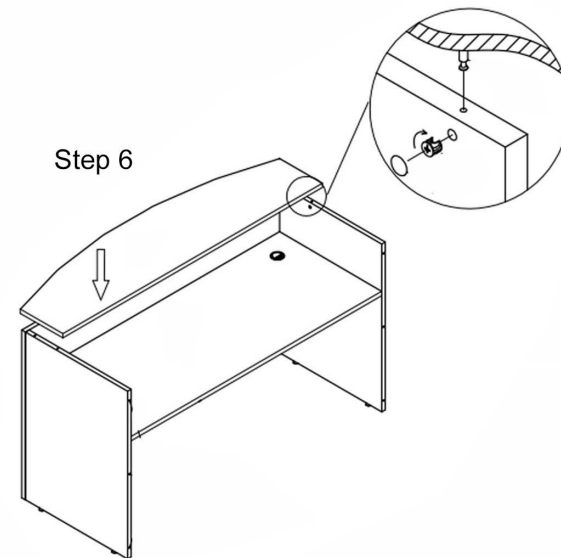
Tools Needed:

- Phillips Screwdriver
- A helper!

- 1.) Assemble on carpet or cardboard to protect parts during assembly. Assembly will require 2 people for safety.
- 2.) First, screw in all leveling glides and insert all wooden dowels, cam locks and cam pins into the panels
- 3.) Lay the front panel on the ground and connect one of the Side Panels. Use a Phillips Screwdriver to twist each cam lock to secure each cam pin.
- 4.) Next, attach the desktop to the Side Panel and Front Panel.
- 5.) Attach the other Side Panel.
- 6.) Attach the Counter Top using same hardware method.
- 7.) Your last step is to insert the grommets into the desktop and caps over the cam locks.



Steps 3-5

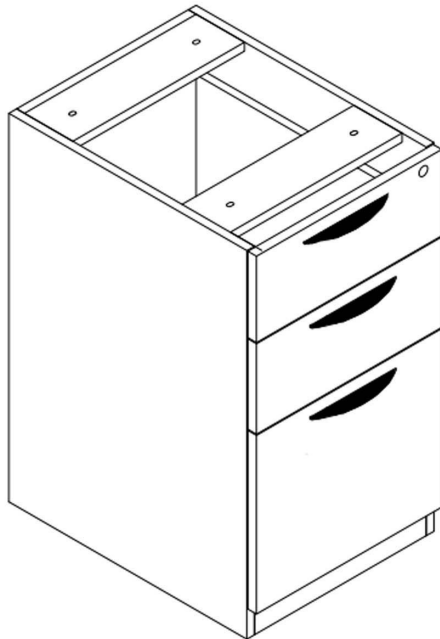


Step 6




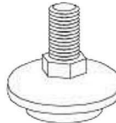
Questions? Please call 1-800-443-5117.
Customer Service available 8:30 - 5:00 Central Time, Monday - Friday

Box/Box/File Desk Pedestal Assembly Instructions

Applies towards:
BK/CH/FL/MJ/ML/WH2066



List of Hardware:

Part	Part
 4 Large Bolts	 3 Drawer Pulls with screws
 1 set of keys	 4 Leveling Glides

- 1.) Install 4 leveling glides.
- 2.) Use the screws to attach drawer pulls.
- 3.) To install under desk, remove the top box drawer (or top two box drawers) by locating the black tabs inside of the left & right drawer slides. Push down on one and push up on the other. This will release the drawer from the slides. Use 4 large bolts to connect to threaded holes on underside of desk. Once done, simply insert drawers back into the slides. They will snap in place.

Questions? Please call 1-800-443-5117.
Customer Service available 8:30 - 5:00 Central Time, Monday - Friday