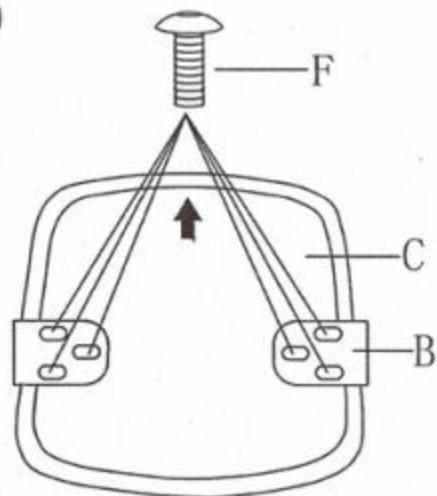
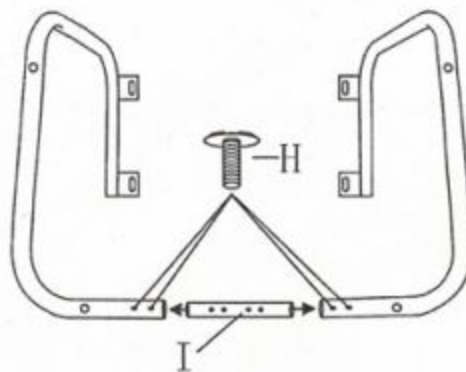


Y6981- Mesh Conference/Guest Chair Assembly Instructions

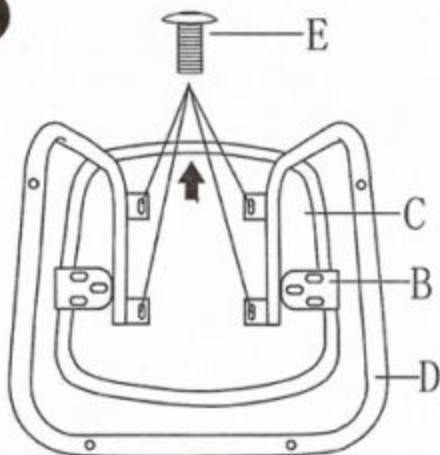
1



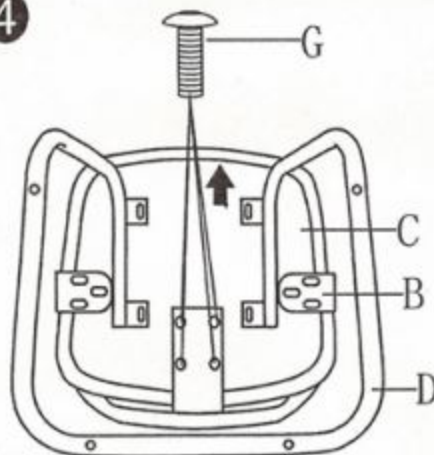
2



3



4



5



REMARK:
TO ADJUST GRADIENT OF
THE CHAIR BY FOUR SCREWS.

E 
M6*20MM /4PCS

F 
M6*30MM /6PCS

G 
M6*25MM /4PCS

H 
M6*16MM /4PCS

I 

J 
M5/1PC

K 
M4/1PC