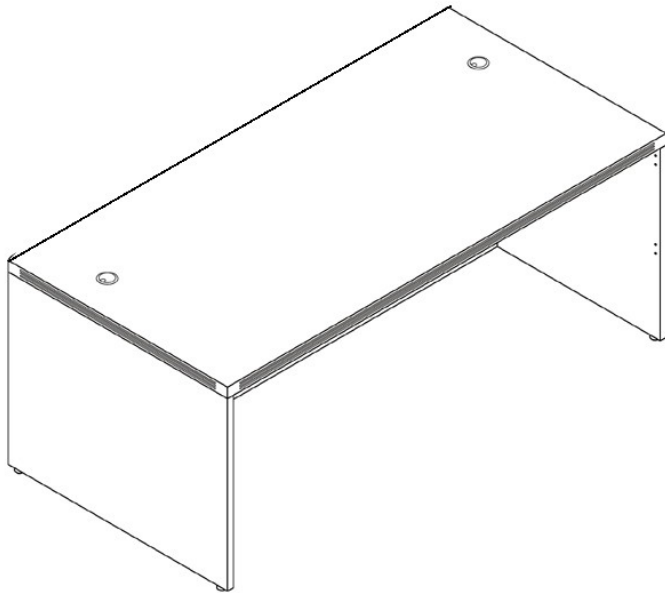




Modern Office  
6900 Shady Oak Road, Ste 120  
Eden Prairie, MN 55344  
Phone: 800.443.5117  
(In MN): 952.941.2837  
Fax: 952.949.9816  
www.modernofficefurniture.com



## Desk/Credenza Shell

MJ/FL/ML/WH  
2001/2002/2043/2089/3624/7124



## ASSEMBLY INSTRUCTIONS

## PARTS LIST

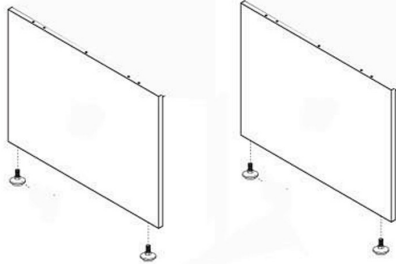
Part	Part
 Wood Dowel	 Cap
 Cam Pin	 Leveling Glide
 Cam Lock	 Grommet
 Screw	 L-Bracket



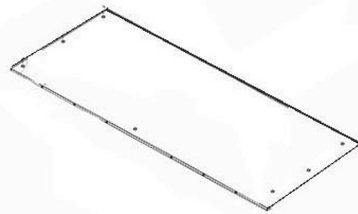
Modern Office  
6900 Shady Oak Road, Ste 120  
Eden Prairie, MN 55344  
Phone: 800.443.5117  
(In MN): 952.941.2837  
Fax: 952.949.9816  
www.modernofficefurniture.com

1.) Assemble on a smooth, carpeted floor to prevent scratches or damage. Assembly will require 2 people for safety.

2.) Screw 2 leveling glides in completely on both side panels. When completed, the glides can be adjusted outward to level the desk on uneven floors.



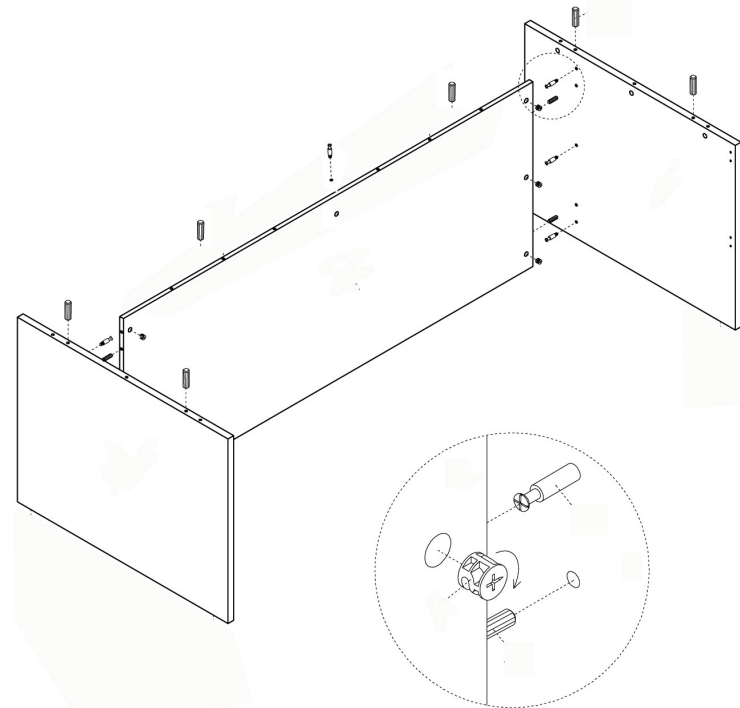
3.) Next, take out the front panel and position with side panels like shown on page 3.



**2**

4.) Insert wood dowels into large holes and cam pins into smaller holes. Align the panels together and attach using a Phillips Screwdriver to twist the cam locks to secure.

(Number of holes in diagram may vary from actual desk)



**3**



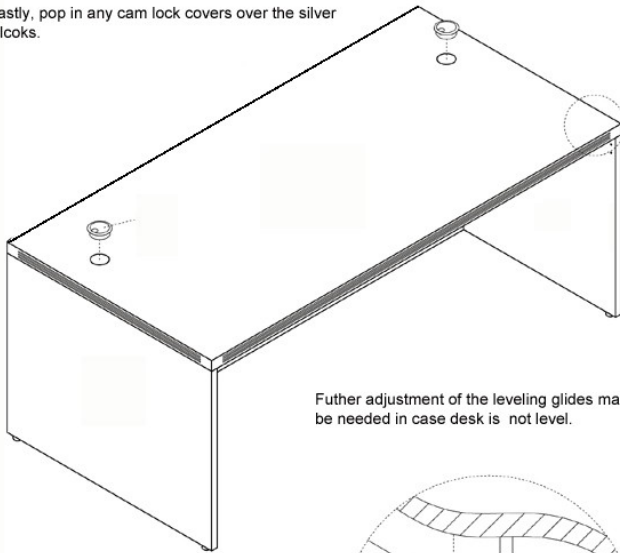
Modern Office  
6900 Shady Oak Road, Ste 120  
Eden Prairie, MN 55344  
Phone: 800.443.5117  
(In MN): 952-941-2837  
Fax: 952.949.9816  
www.modernofficefurniture.com

5.) Lower Desktop onto front and side panels, making sure to align holes. Twist any remaining cam locks to secure.

6.) L-brackets and screws are optional and can be placed anywhere underneath the desktop for additional strength. Screws are self-drilling

7.) Install grommets. Note: Credenza Shells have only 1 grommet.

8.) Lastly, pop in any cam lock covers over the silver cam locks.



Further adjustment of the leveling glides may be needed in case desk is not level.

