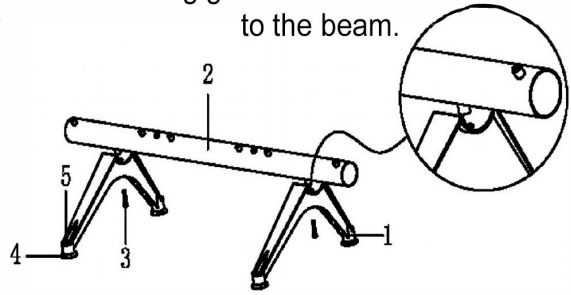


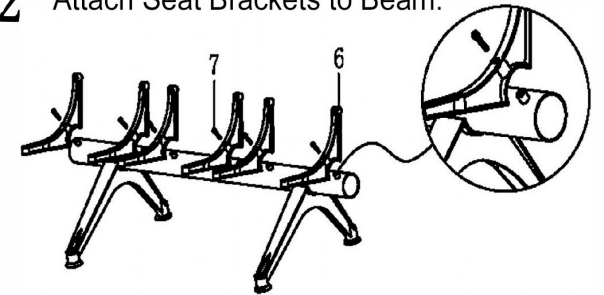
Beam Seating Assembly Instructions

Helpful tip: Insert screws and turn a few revolutions only at each step. Do not fully tighten until all screws for each step are inserted. Tightening too soon can cause unevenness.

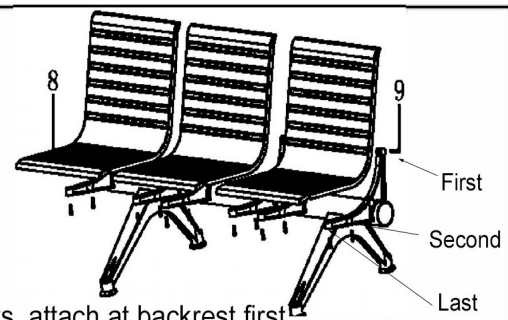
1 Insert leveling glides into feet. Then attach legs to the beam.



2 Attach Seat Brackets to Beam.

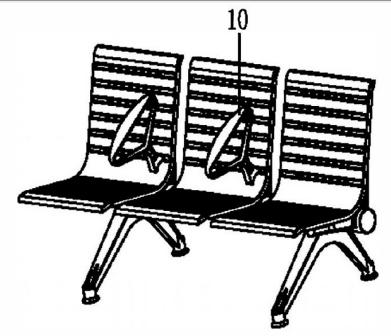


3



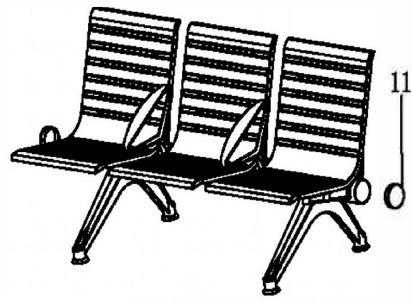
To attach seats, attach at backrest first, then middle of seat, then the front of the seat with the screws provided

4



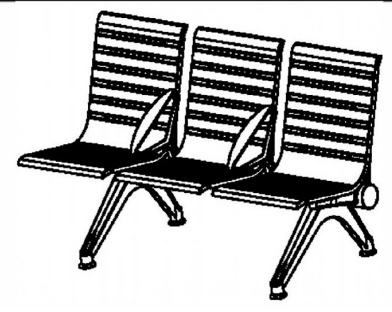
Next, attach the armrests in between the seats.

5



Add the caps on the beam and feet.

6



Adjust leveling glides as needed.

NO	Pic	Des	Size (MM)	Qty
1		Beam	95*1710	1
2		Leg	606*88*300	2
3		Screw	M12*30	4
4		Adjust feet	70*30	4
5		Lep cap	38*48*20	4
4		Bracket	332*35*278	6
5		Screw	M8*35	6
6		Seat	520*417*624	3
7		Screw	M8*30	18
8		Arm	343*80*262	2
9		Beam	95*1710	2
工具		Accessory	6*6 mm	1
工具		Accessory	10*10 mm	1
工具		Accessory	12*120 mm	1