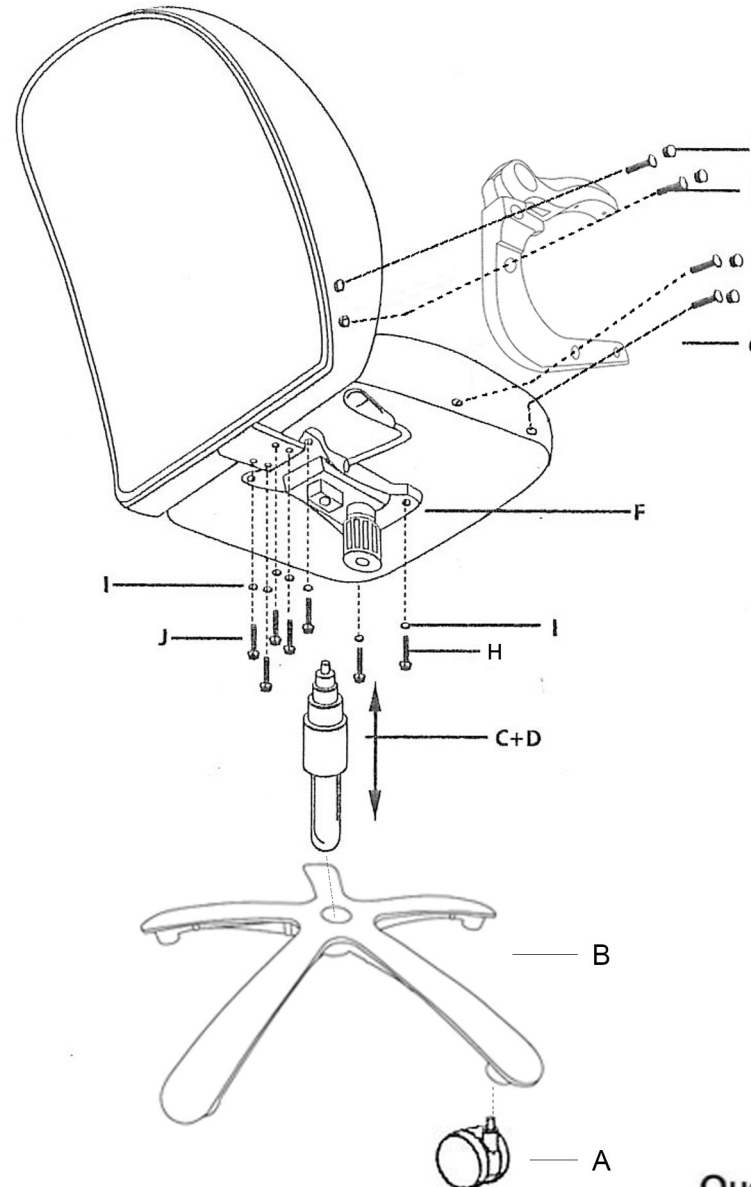
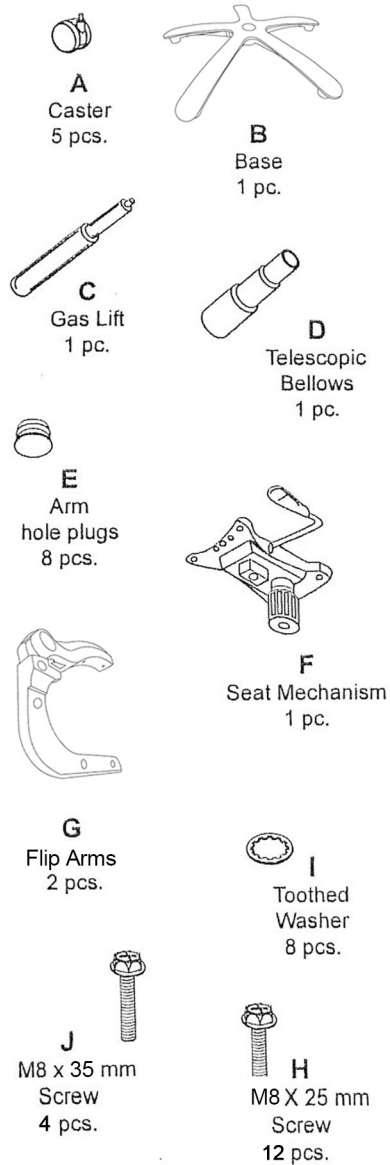


Parts Listing



Tools needed : Phillips Screwdriver

Please read all instructions before assembly

Step 1 : Insert casters (A) into Base (B).

Step 2 : Insert Gas Lift (C) into Base (B).

Step 3 : Cover Gas Lift (C) with 3 piece Telescopic Bellows (D).

Step 4 : Place chair seat on a level, non-abrasive surface and align pre-drilled holes in Seat Mechanism (F) with holes in chair seat.

Step 5 : Place four M8 x 25 mm Screws (H) and washers (I), insert through the holes in the Seat Mechanism (F) and into the chair seat. Tighten with screwdriver.

Step 6 : Attach seat back, under chair seat, (end with pre-drilled hole) using M8 x 35 mm screws (J) and washers (I). Tighten firmly.

Step 7 : Attach flip arms (G) by using four screws (H) for each side and attach them to drilled holes on sides of seat and back. Tighten firmly and insert plugs (E) to conceal screws.

Step 8 : Carefully place chair seat with attached Seat Mechanism (F) onto the Gas Lift (C), aligning the hole in the Seat Mechanism with the Gas Lift.

Step 9 : Carefully sit on chair to make sure the Gas Lift (C) is properly inserted into the Base (B).

Step 10 : Operate the Gas Lift lever and the back posture adjustment lever on the Seat Mechanism (F) for making sure the whole chair is working properly.

Caution :

1. Do not use this chair as a step ladder
2. Check for loose screws and tighten them every 6 months