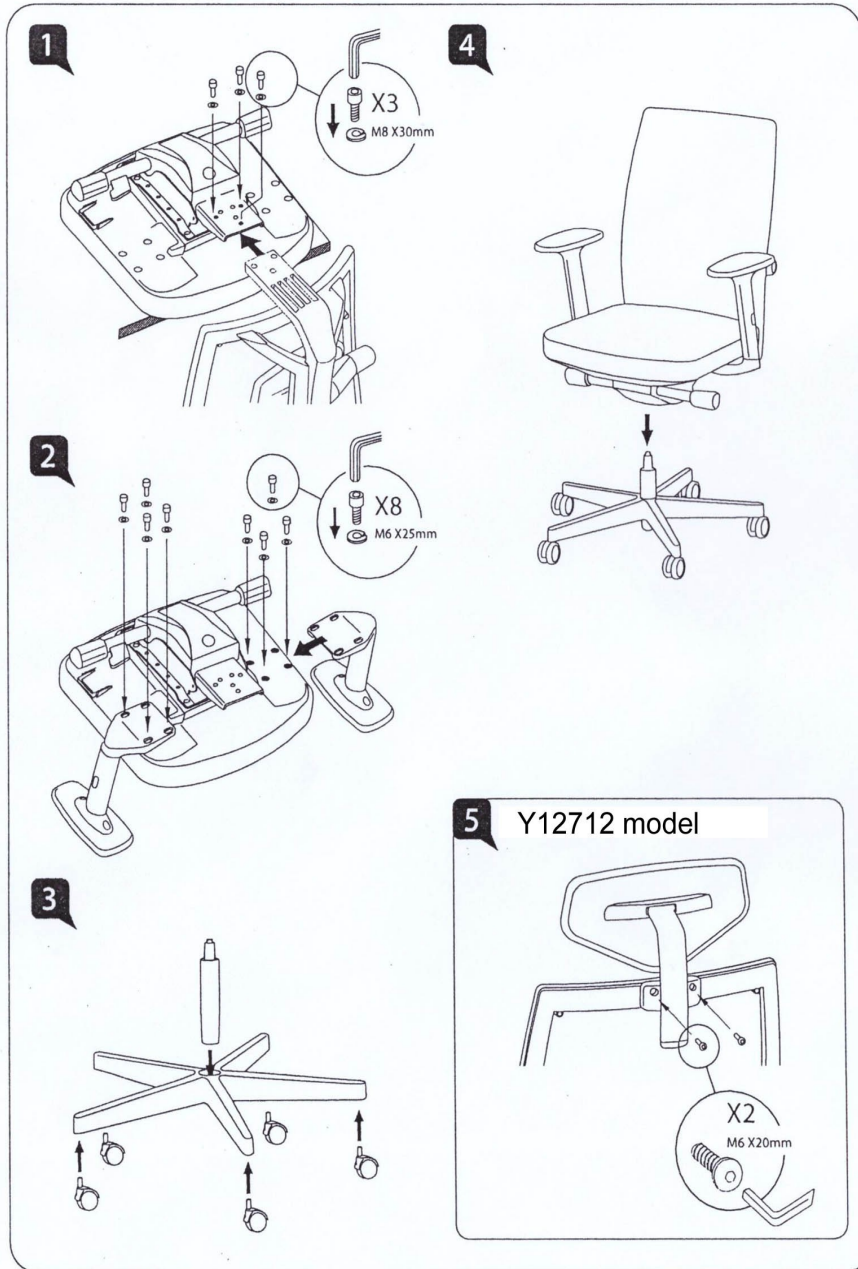
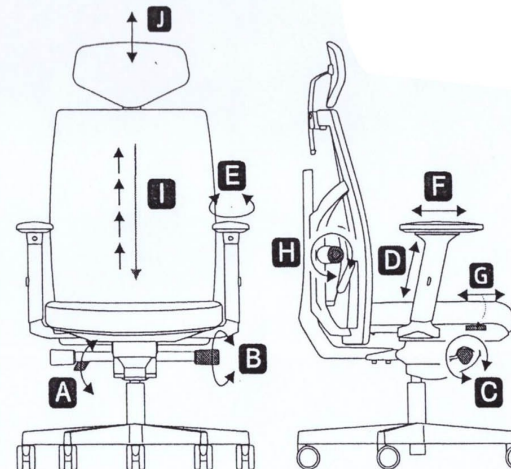


Y12711/Y12712 300 lb. Cap. Multi-Function Chair Assembly Instructions and User Guide



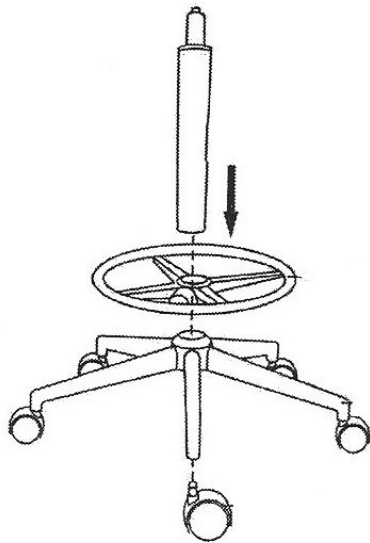
- A** Seat Height Adjustment - Flip up the lever on the right side of the chair to raise/lower the seat.
- B** Tilt Lock - Twist the lever on the left side of the chair to lock or unlock the tilt function.
- C** Tilt Tension Control Knob - Twist knob clockwise for a more resistant tilt and counter clock-wise for a less resistant tilt.
- D** Height Adjustable Armrests - Push button on armrest to raise/lower.
- E** Pivoting Armpads - Armpads can be manually adjusted to pivot.
- F** Depth Adjustable Armpads - Armpads can be manually adjusted to move fore/aft.
- G** Seat Depth Adjustment - Pull out the tab from under the right side of the seat to move your seat fore/aft.
- H** Lumbar Adjustment - Twist the lever in any direction to adjust the lumbar pillow.



- I** Backrest Height Adjustment - Manually lift the backrest. Each click you hear is a different height setting. To reset, pull all of the way up and the back will drop back to its lowest position.
- J** Headrest Height Adjustment - (Y12712 model) Manually move the headrest up and down to adjust.

BT-6336 / Stool Kit

Assembly Diagram



Warning

Reclining while seated at an elevated height can be a tip hazard. For safety, it is recommended that the forward tilt lock be engaged while at taller seated heights.