

**\*\*\*\*Drafting Kit Instructions\*\*\*\***

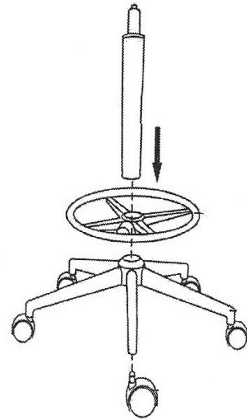
Consists of:

- Tall gas lift
- Foot Ring w/ Tension Knob

You will use the gas lift included with your drafting kit. Please discard of the gas lift that comes in the box with the chair.

# **BT-6336 / Stool Kit**

## **Assembly Diagram**

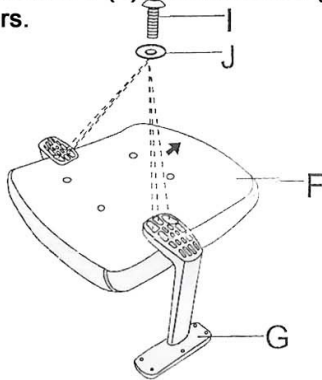


**\*\*\*\*Warning\*\*\*\***

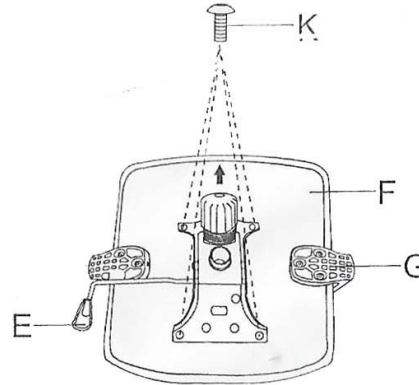
**Reclining while seated at an elevated height can be a tip hazard. For safety, it is recommended that the forward tilt lock be engaged while at taller seated heights.**

## Y11919 - Fabric Office Chair Assembly Instructions

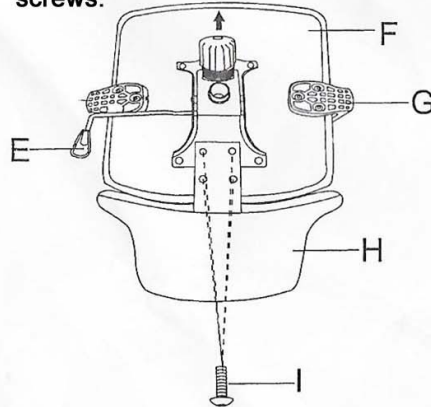
**1.** Attach (G) Armrests to (F) Seat Cushion with 6 (I) Screws and 6 (J) washers.



**2.** Attach (E) Mechanism to (F) Seat Cushion with 4 (K) screws.

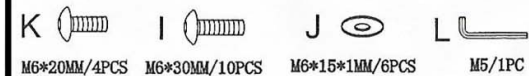
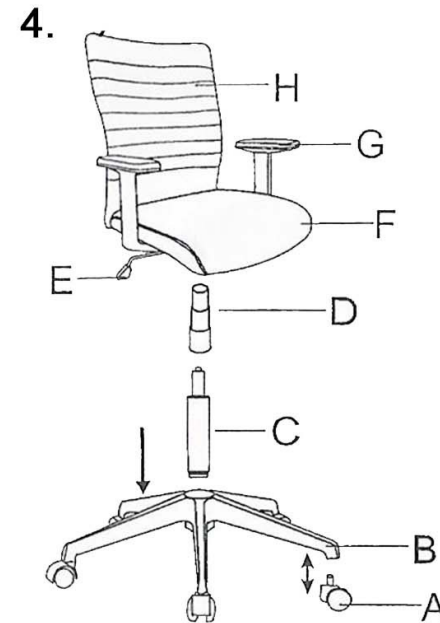


**3.** Attach (H) Backrest with 4 (I) screws.



**4.** Insert (A) Casters into (B) Base by hand. Then, insert (C) gas lift into (B) base. Next, place the (D) gas lift bellows over (C) Gas Lift.

Once the lower chair assembly is complete, place the upper half of the chair over the lower chair assembly. Insert top of (C) Gas Lift into hole of (E) mechanism and press down. Lastly, carefully sit on the chair to fully pressure fit the two halves of the chair together.



Questions? Please call 1-800-443-5117.

Customer Service available 8:30 - 5:00 Central Time, Monday - Friday