

******Drafting Kit Instructions******

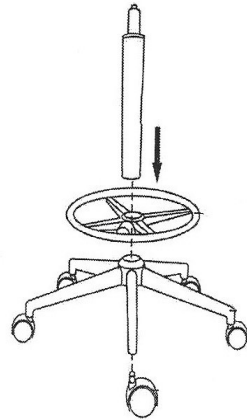
Consists of:

- Tall gas lift
- Foot Ring w/ Tension Knob

You will use the gas lift included with your drafting kit. Please discard of the gas lift that comes in the box with the chair.

BT-6336 / Stool Kit

Assembly Diagram

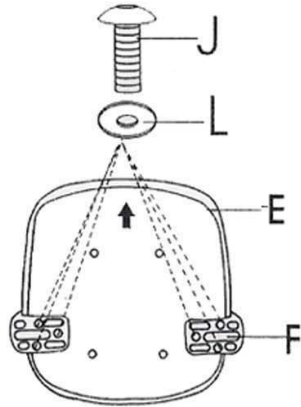


******Warning******

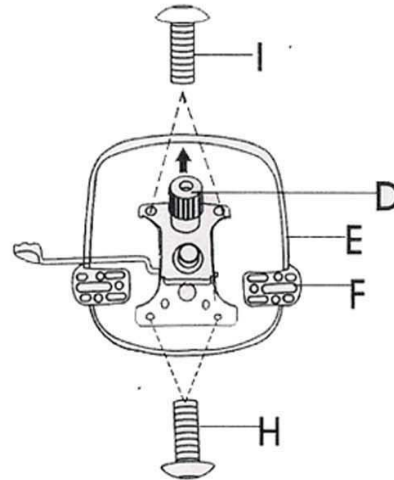
Reclining while seated at an elevated height can be a tip hazard. For safety, it is recommended that the forward tilt lock be engaged while at taller seated heights.

Y10342 - Ergonomic Chair with Slotted Backrest

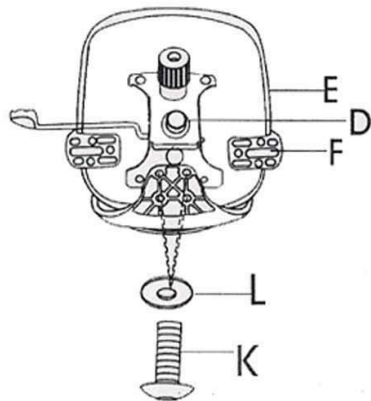
1



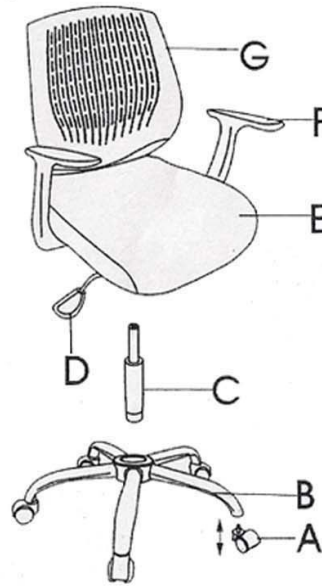
2



3



4



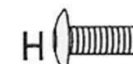
Step 1: Attach (F) Armrests onto (E) seat cushion with six (J) screws and six (L) washers. Use (M) allen wrench to screw into seat.

Step 2: Next, attach the (D) mechanism to the (E) seat using two (I) and two (H) screws.

Step 3: Attach the (G) backrest by laying the backrest bracket over the (D) mechanism and aligning the holes. Screw in four (K) screws and four (J) washers.

Step 4: Assemble lower half of chair by hand. Snap (A) casters into (B) base. Then set (C) gas lift into (B) base.

Step 5: Hold the upper chair assembly by hand and fit hole in (D) mechanism over top of (C) gas lift. Press down, the carefully sit to pressure fit.



M6*20MM/2PCS



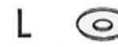
M6*25MM/2PCS



M6*35MM /6PCS



M6*40MM /4PCS



6*18*1MM/10PCS



M5/1PC

Questions? Please call 1-800-443-5117.

Customer Service available 8:30 - 5:00 Central Time, Monday - Friday