



Tools Needed

- A helper
- 5 mm Allen Wrench (provided)
- Rubber Mallet
- Power Drill or Screwdriver
- WD40 or similar lubricant

4-Person Workstation Kit

Parts



2 Sets of End Frames

2 Center Legs

4 Cableway Braces



3 Connecting Posts



2 Optional Shared Cable Troughs



8 Hanging Brackets for Cable Troughs



4 Desktops



2 Short Acrylic Panels

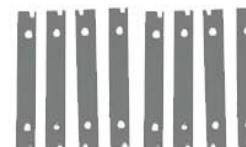


2 Long Acrylic Panels



8 Panel Clips

Hardware Included:



8 Flat Brackets



6 Tension Knobs



16, M6 Screws



72 Wood Screws



5mm Allen Wrench

Add-on Workstation Kit (if purchased)

Parts



2 Center Legs



2 Cableway Braces



1 Connecting Post



1 Shared Trough



4 Hanging Brackets
for Shared Trough



2 Desktops



2 Short
Acrylic Panel
w/Mounting Brackets



1 Long
Acrylic Panel
w/Mounting Brackets



6 Panel
Clips

Hardware Included:



4 Flat
Brackets



2 Tension
Knobs



8, M6
Screws



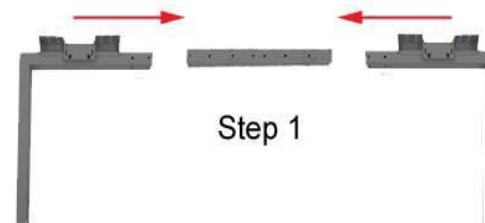
36 Wood
Screws



5mm Allen
Wrench

Step 1

Locate your first set of end frames, one connecting post and two tension knobs. The connecting post will have holes drilled on two sides of the square tube. Make sure these holes line up with the holes on the end frames. Insert the connecting post into the end frames. If post does not slide by hand, try a few squirts of WD40 and tap the frames with a rubber mallet until the post slides in. Position the connecting post as shown in the diagram below. Once the holes are aligned, screw in two tension knobs.



Step 1

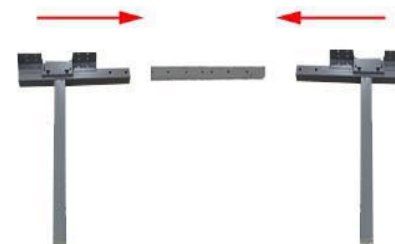


Align post below into end frames
as shown above



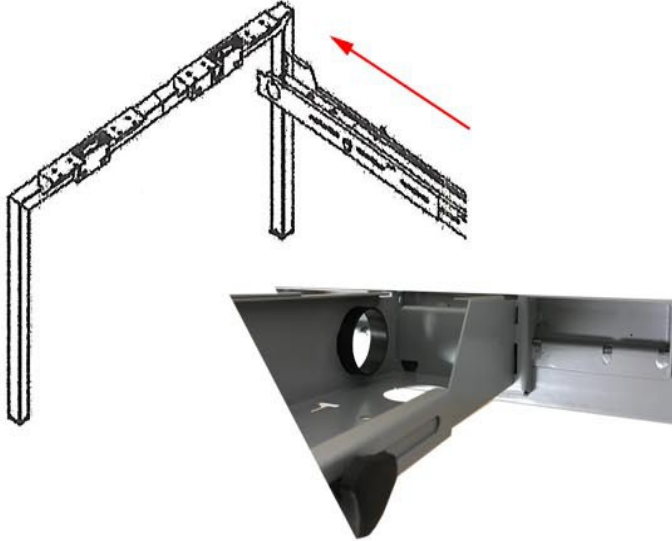
Step 2

Locate the 2 Center Legs, one connecting post and two tension knobs. Repeat the same steps as described above for the Center Legs and attach connecting post in same way.



Step 3

Locate two cableway braces. Remove all tension knobs on the braces. The cableway braces fit into the end frames by hand, by inserting the tabs into the slots on the end frames. With two people, have one person hold the end frame upright while the other inserts the cableway braces. Then, using a rubber mallet, tap down on the cableway braces to lock into the frame.



Step 4

Now, repeat the same process with the center legs. Connect the other sides of the cableway braces to the center legs in the same manner. Once done, your desk frame will look like this:



Step 5

For the next step you will need four flat brackets, eight M6 screws and the Allen Wrench provided. Connect the flat brackets to the tops of the cableway braces with two screws each:

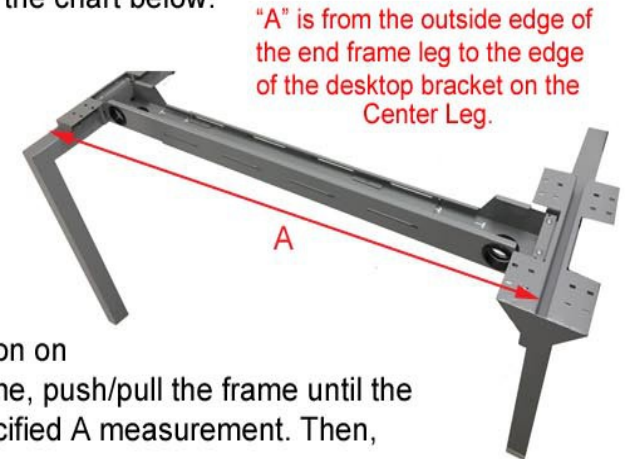


Step 6

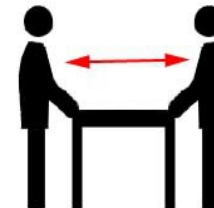
The workstation frames are adjustable to fit a variety of desk top sizes. The cableway braces slide in and out so you can adjust the workstation width to your specific desktop size.

First, you'll need to determine how wide the frame needs to be. Find your desktop size on the chart below:

Desktop Size	A
48" x 28"	47-1/4"
60" x 28"	60"
72" x 28"	71"



Then, with one person on each side of the frame, push/pull the frame until the frame is to your specified A measurement. Then, screw in all of the tension knobs on the braces and fully tighten.



Step 7

If you purchased add-on workstation kits with your order, assemble your next set of Center Legs with one connecting post and two tension knobs, just like shown in Step 2. Then repeat Steps 3-6 to connect Cableway Braces, Flat Brackets and adjust the width of the workstations. Repeat all of these instructions for each add-on workstation kit purchased.

If you did not purchase an add-on workstation, locate your last set of End Frames and assemble as shown in Step 1. Then repeat Steps 3-6 to connect Cableway Braces, Flat Brackets and adjust the width of the workstations.

Assembled 4-Person Workstation Frame



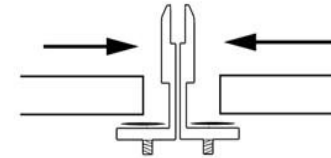
Step 8

Once your entire frame is completely assembled, your next step will be to attach the desktops and panels. Locate your desktops, short acrylic panels, long acrylic panels, panel clips and bag of wood screws.

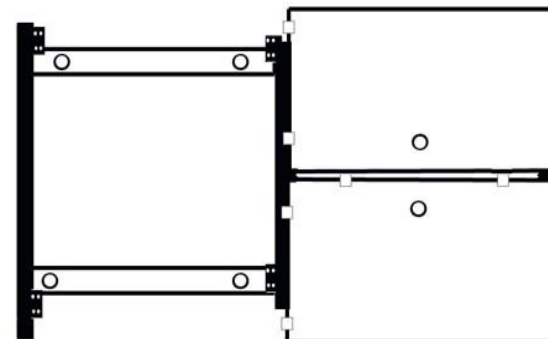
First, set your first desktop down on the frame and position. **DO NOT ATTACH DESKTOP TO FRAME WITH WOOD SCREW YET! LEAVING THE DESKTOPS UNATTACHED WILL ALLOW FOR WIGGLE ROOM WHEN ATTACHING CLIPS AND MAKES IT EASIER TO ADJUST POSITIONING OF DESKTOPS ON FRAME.**

* Position all desktop edges to be flush with edges of metal frame.*

Next, find four panel clips and attach two on the long side and two on the center, short side of the desktop, like show in the drawing below. Only partially screw in the leveling screw, enough to where the clip is holding onto the desk edge well. Use Allen Wrench provided.



Then, set a second desktop on the frame, center and attach the clips. **AGAIN, DO NOT SCREW IN DESKTOPS TO FRAME YET!**



Repeat this process for the remaining desktops.

Step 9

The next step is to attach the acrylic panels to the desk top. Each panel will need two clips. Move the leveling screw to the hole closest to the square edge of the clip like shown:



Mount the two clips on the edge of the worksurface and partially screw in the leveling screw, enough where it's holding onto the desk edge well. Use Allen Wrench provided.

Final View of all panels installed:



Insert the short panel into the brackets. Use the Allen Wrench to adjust the clip as needed to get panel into upright position, then fully tighten all of the clips

Repeat process with long panel.



Repeat Steps 8 & 9 until all desk tops and panels are attached.

Step 10 - Optional

Shared Cable Troughs are optional. They allow cords to be routed from the grommets in the desktop, under the desk into a shared trough.

Clip 4 Hanging Brackets onto the Shared Cable Troughs by hand. They snap into the slots on the sides of the trough.

Using two wood screws per bracket, attach Shared Cable Trough by centering the trough on the seams of the desktops, under the desk.

View from underside



Cut away view:



Need help?
Customer Service is available
8:30-5:00 CT, Mon-Fri
Toll Free: 800-443-5117