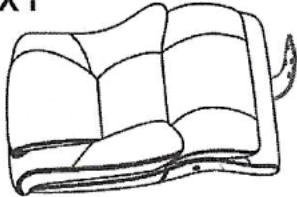

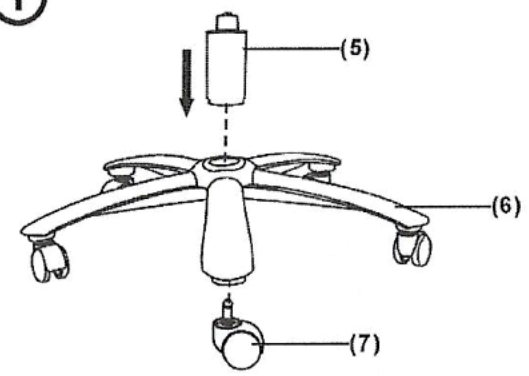
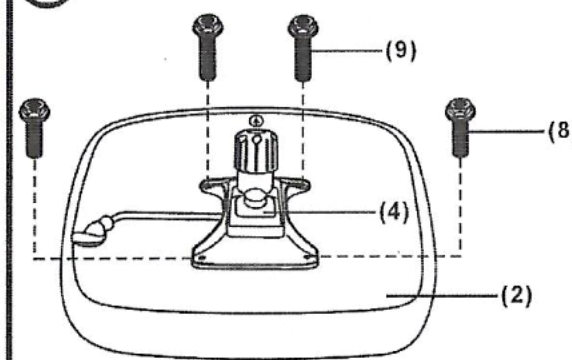
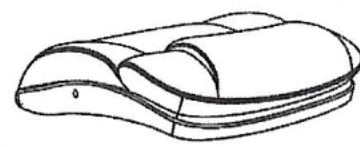

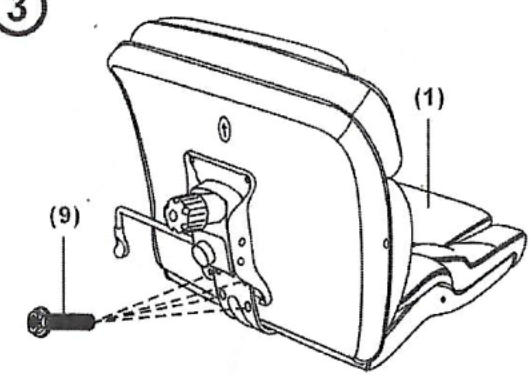

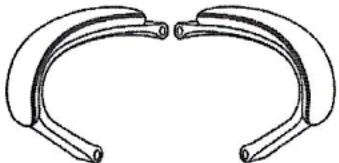

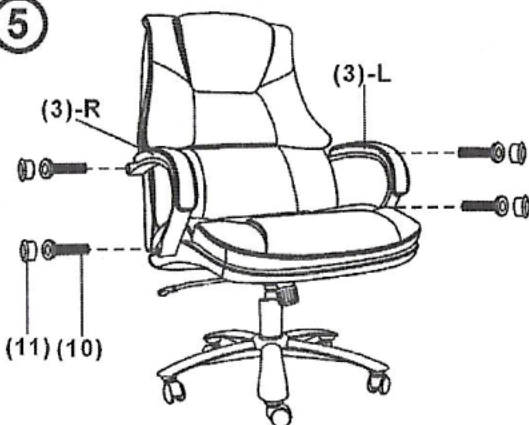

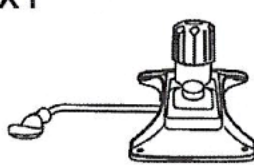



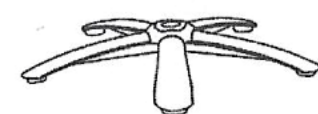


## Important Assembly Note:

When attaching the backrest, only attach the backrest screws loosely (2-3 revolutions per screw) before aligning and connecting armrests. Once armrests are completely connected, go back and tighten down the backrest screws completely.

(1)X1 	(7)X5 	① 	② 
(2)X1 	(8)X2 	③ 	④ 
(3)X1(L)X1(R) 	(9)X6 	⑤ 	⑥ 
(4)X1 	(10)X4 		
(5)X1 	(11)X4 		
(6)X1 	(12)X1 