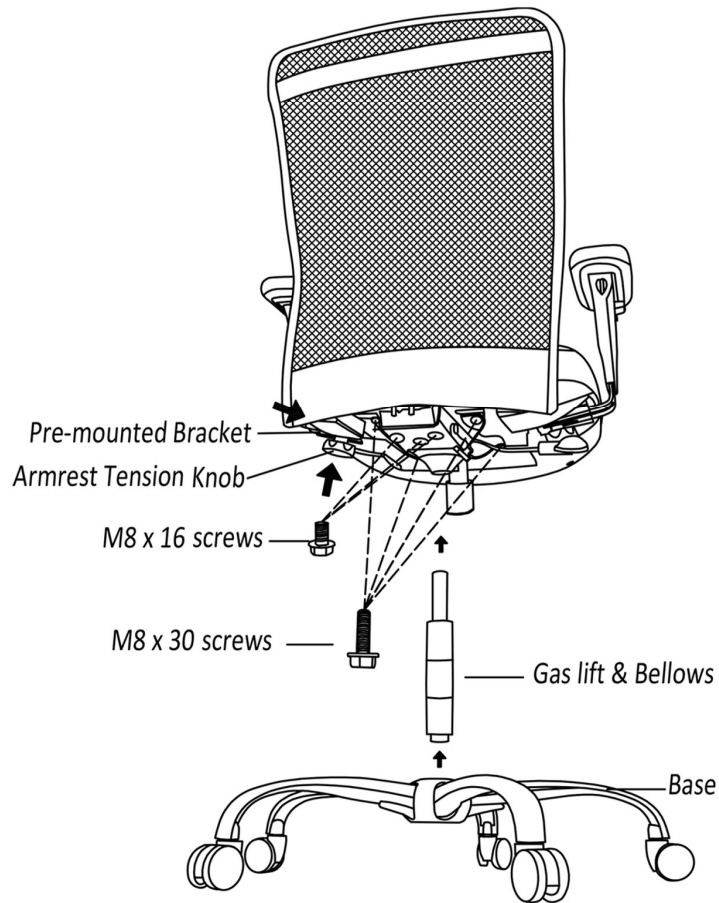


Y11146 - 24/7 Big & Tall Mesh Task Chair Assembly Instructions



Step 1 : Insert the 5 Casters into the Chair Base by hand. Casters will 'pop' once locked in place.

Step 2 : Insert Gas Lift into Chair Base, then place Telescoping Bellows over the Gas Lift.

Step 3 : Turn the Seat Cushion upside down on a clean surface. Attach the two Armrests by sliding the armrests into the pre-mounted brackets and inserting the two tension knobs.

Step 4 : Next, attach the Mechanism with 4 pcs of M8 x 30 mm screws.

Step 5 : Insert the J-bar onto the rear 3 holes of Seat Mechanism and connect it tight with 3 pcs of M8 x 16 mm screws.

Step 6 : Hold the upper half of the chair over the lower half, aligning the hole in the mechanism over the top of the gas lift. Insert the top of the gas lift into the hole and press down. Then, carefully sit in the chair to pressure fit them together.

Adjustment :

Step A : Seat height adjustment- To raise the chair, lift the lever. To lower the seat, pull the lever until the seat is at the desired height.

Step B : Back angle of free tilting- Pull out the lever of the seat mechanism to get the free tilting or until get desired angle position, then pull it in to lock up to have your desired angle of back cushion.

Step C : The height of arm- just pull up or down the rib of each side arm.

CONTENTS			
Parts	Qty	Hardware	Qty
Backrest with J-Bar	1	M8 x 30 mm Screw	4
Seat Cushion	1	M8 x 16 mm Screw	3
Seat Mechanism	1		
Gas Lift & Bellows	1		
Chair Base	1		
Armrests	2		
Armrests Tension Knob	2		
Casters	5		

Questions? Call Customer Service at 1-800-443-5117
Monday - Friday 8:30 AM to 5:00 PM Central Time