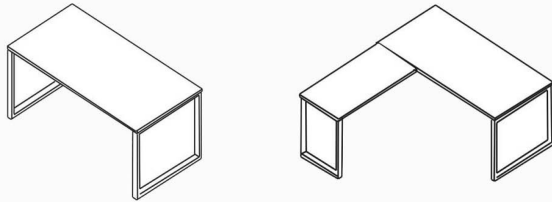


TrendSpaces Desk Series Desk/Credenza Assembly Instructions

L-Desk Assembly Instructions

(PLT2472, PLT3066, PLT3672 & PLT2448
PLTLEGD2472, PLTLEGD30, PLTLEGD36 & PLTLEGD24)



Desk or Credenza:

1.) Assemble on carpet or cardboard to protect parts during assembly. Assembly will require 2 people for safety.

2.) Screw in leveling glides on all frames.

3.) Next, assemble metal desk frame by attaching the cross beam to the left & right side legs. The bolts for the cross beam are already in the legs. Just back out, place beam and screw back in.

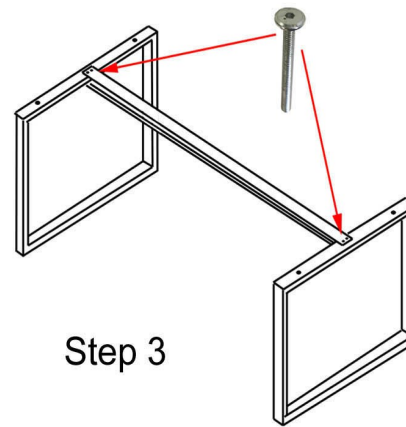
4.) Next, attach frame to desk top using the pointed tip, self-threading wood screws included with the desk top. To properly align, assemble upside down. Align and connect frame one side at a time with the edge of the frame aligned to the edge of the desktop. Use a power screwdriver to screw in 2-1/2" screw with washer through the frame and securely attach to top. Proceed to opposite leg/side and attach in same manner.

List of Hardware:

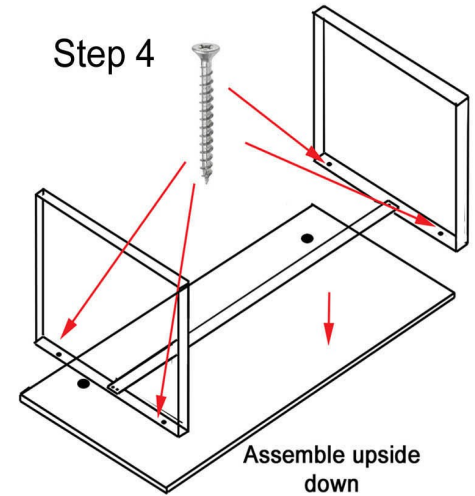
Part	Part
 Leveling Glide	 Bolt
 2-1/2" wood screw	 1" wood screw (included only with return desk)
 Grommet	

Tools Needed:

- Allen Wrench included (to connect bolts)
- Power Screwdriver
- A Helper



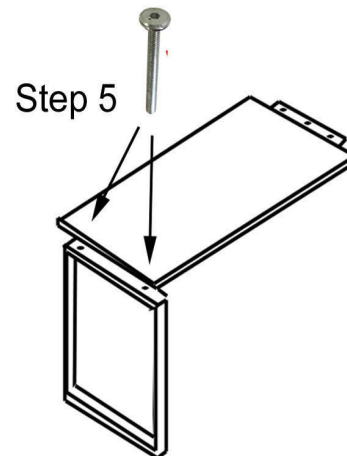
Step 3



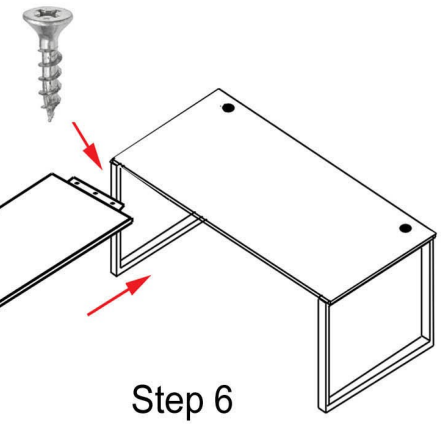
Step 4

Return Desk:

5.) If you purchased an L-desk, attach the return desk end leg to the desktop with the two bolts, that are taped to the leg.



Step 5



Step 6

Questions? Please call 1-800-443-5117.

Customer Service available 8:30 - 5:00 Central Time, Monday - Friday