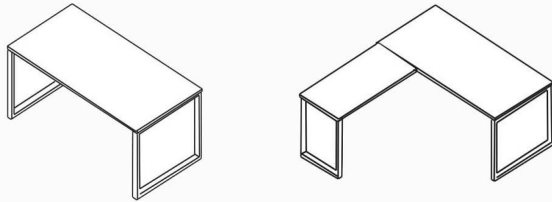


TrendSpaces Desk Series Desk/Credenza Assembly Instructions

L-Desk Assembly Instructions

(PLT2472, PLT3066, PLT3672 & PLT2448
PLTLEGD2472, PLTLEGD30, PLTLEGD36 & PLTLEGD24)



Desk or Credenza:

- 1.) Assemble on carpet or cardboard to protect parts during assembly. Assembly will require 2 people for safety.
- 2.) Screw in leveling glides on all frames.
- 3.) Next, assemble metal desk frame by attaching the cross beam to the left & right side legs. The bolts for the cross beam are already in the legs. Just back out, place beam and screw back in.

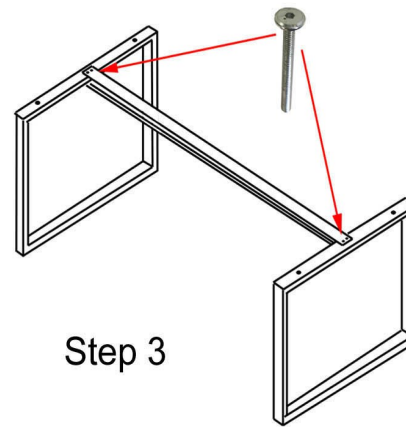
- 4.) Next, attach frame to desk top using the pointed tip, self-threading wood screws included with the desk top. To properly align, assemble upside down. Align and connect frame one side at a time with the edge of the frame aligned to the edge of the desktop. Use a power screwdriver to screw in 2-1/2" screw with washer through the frame and securely attach to top. Proceed to opposite leg/side and attach in same manner.

List of Hardware:

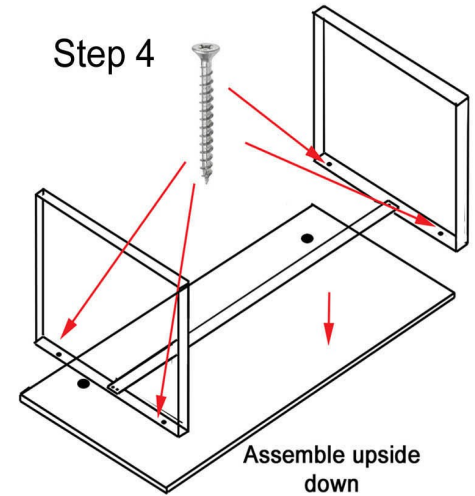
Part	Part
 Leveling Glide	 Bolt
 2-1/2" wood screw	 1" wood screw (included only with return desk)
 Grommet	

Tools Needed:

- Allen Wrench included (to connect bolts)
- Power Screwdriver
- A Helper



Step 3

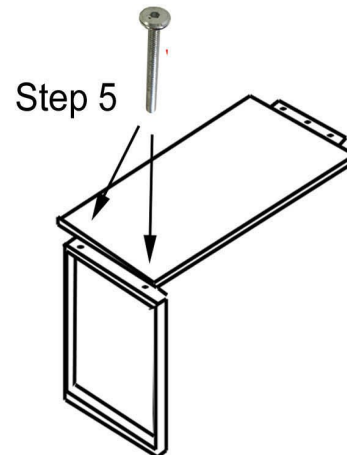


Step 4

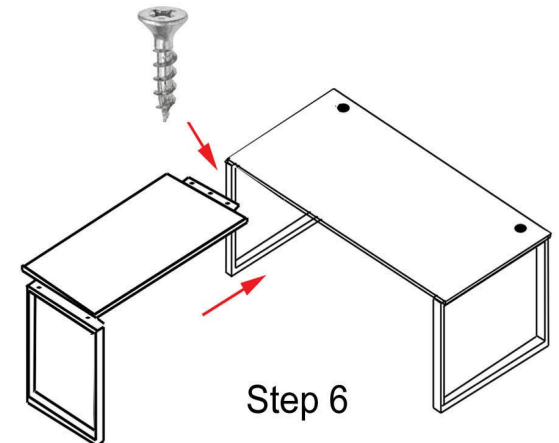
Assemble upside down

Return Desk:

- 5.) If you purchased an L-desk, attach the return desk end leg to the desktop with the two bolts, that are taped to the leg.
- 6.) The mounting bracket will already be installed on the return desktop. Use the 1" pointed tip, self-threading wood screws included with desktop to connect to main desk.



Step 5



Step 6

Questions? Please call 1-800-443-5117.

Customer Service available 8:30 - 5:00 Central Time, Monday - Friday