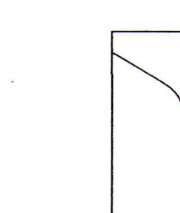
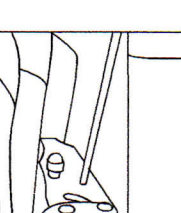
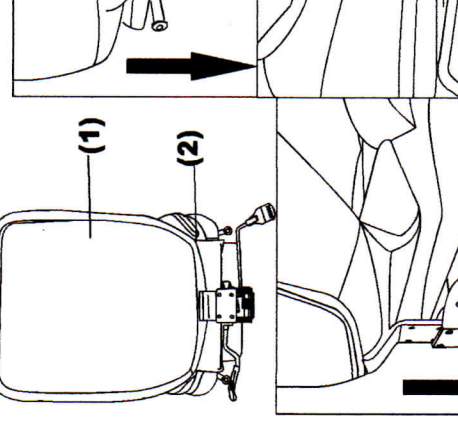
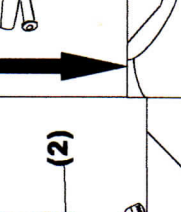
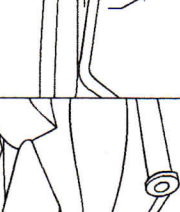
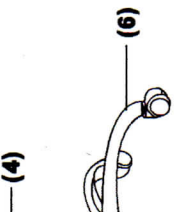

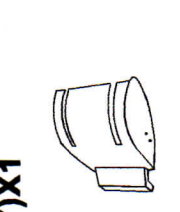
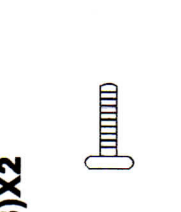

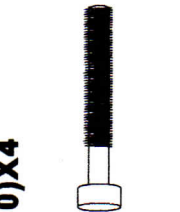
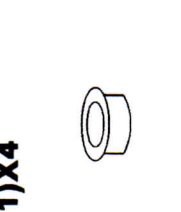





<p>(1)X1</p> 	<p>(7)X1</p> 	<p>2</p> 	<p>(2)X1</p> 	<p>(3)X1(L)X1(R)</p> 	<p>(8)X2</p> 	<p>(9)X4</p> 	<p>(4)X1</p> 	<p>(10)X4</p> 	<p>3</p> 	<p>(5)X5</p> 	<p>(11)X4</p> 	<p>4</p> 	<p>(6)X1</p> 	<p>(12)X2</p> 	<p>5</p>	<p>(1)X1</p>	<p>(10)*2</p>	<p>(11)*2</p>	<p>5</p>
---	---	---	---	---	--	--	---	--	--	--	--	--	---	--	--	---	--	--	--