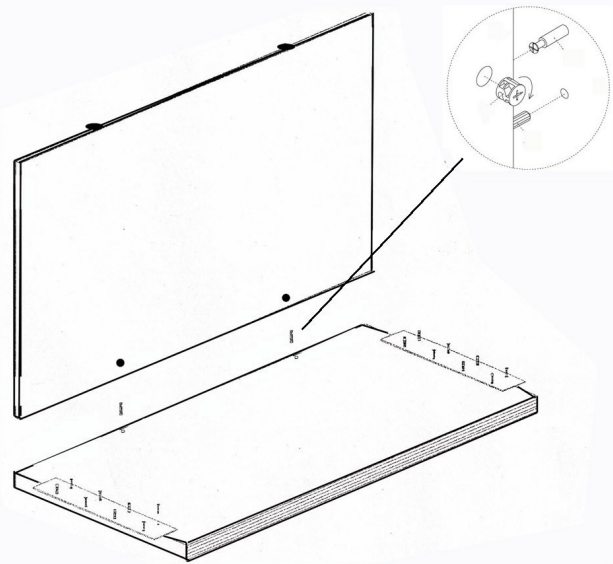
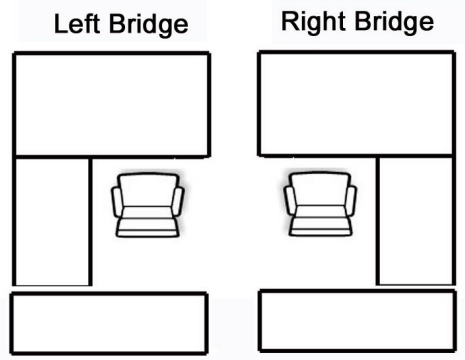


## Can be used in left or right configuration



- 1.) Assemble with desktop face down on carpet or cardboard for protection during assembly.
- 2.) Attach long, worksurface brackets to underside of bridge. Use round-head screws to attach. Insert all/any hardware on worksurface.
- 3.) Insert any cam locks, cam pins and dowels to the side panel. Connect side panel to top panel using cam locks and pins. Use a Phillips screwdriver to twist the cam locks to secure.
- 4.) Screw in leveling glides on side panel.
- 5.) Carefully turn unit upright. Place in U-desk where you wish to connect. Level the desk if needed. Connect the worksurface brackets on the bridge to the front desk and back desk using same round-head screws.
- 6.) Using pointed wood screws and bent side panel brackets, connect the bridge side panel to the side panels of the front desk and back desk. Center bracket over the seam.
- 7.) Insert the shallow covers over the cam locks. Insert grommet in desktop.